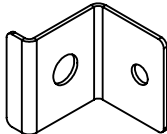

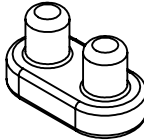

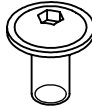
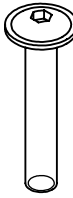
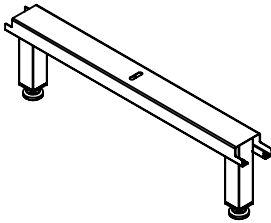
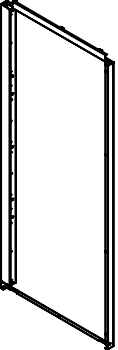
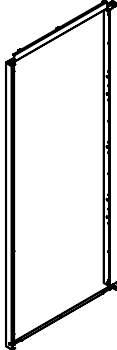


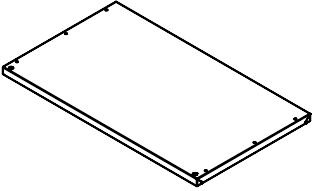
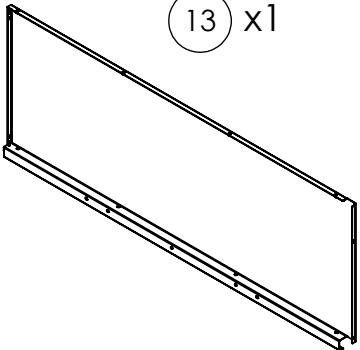
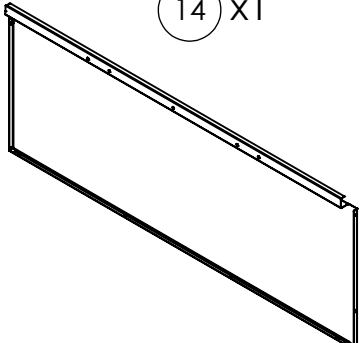
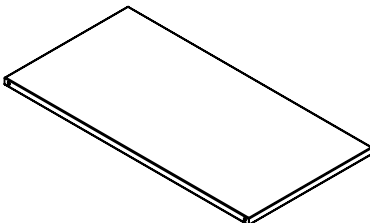
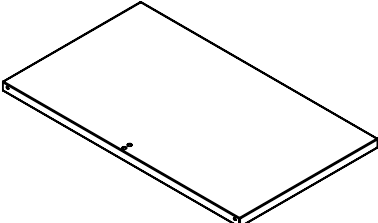
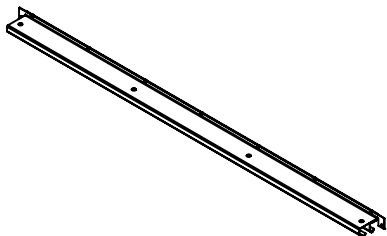
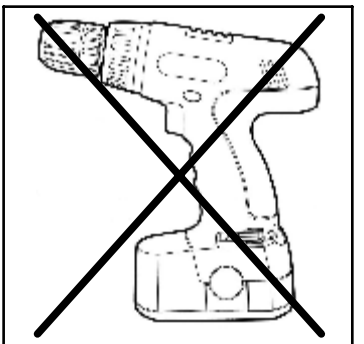
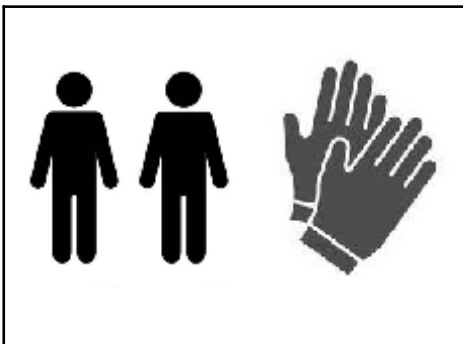
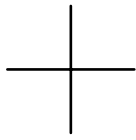
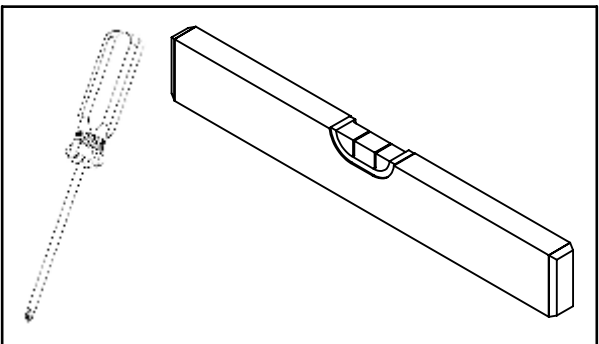
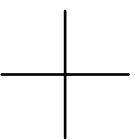
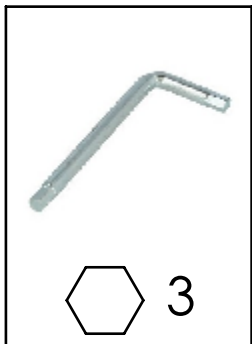
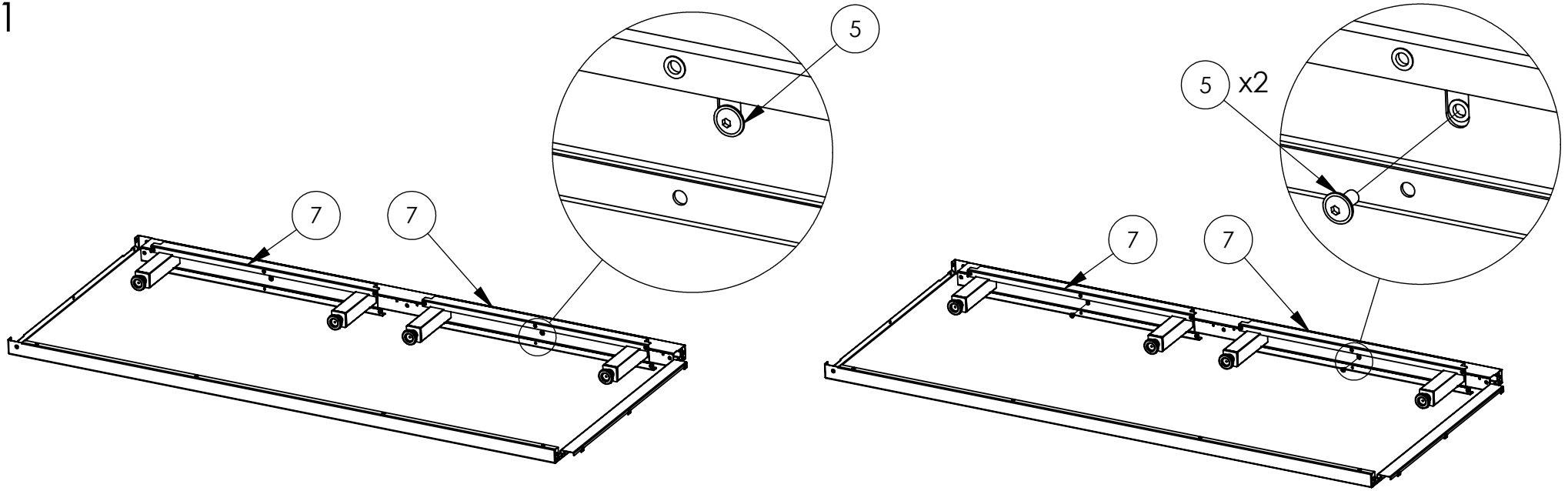


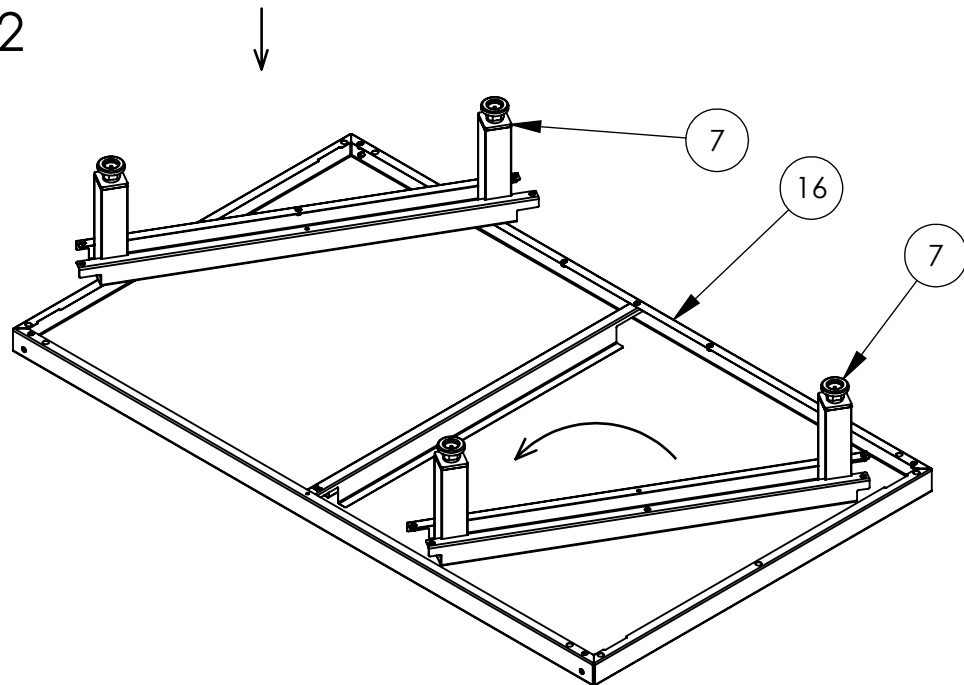
<p>1 x1</p> 	<p>2 x2</p> 	<p>3 x1</p> 	<p>4 x1</p> 	<p>5 x68</p> 	<p>6 x1</p> 
<p>7 x2</p> 	<p>8 x1</p> 	<p>9 x1</p> 	<p>10 x1</p> 	<p>11 x1</p> 	<p>12 x1</p> 
<p>13 x1</p> 	<p>14 x1</p> 	<p>15 x1</p> 	<p>16 x1</p> 	<p>17 x1</p> 	



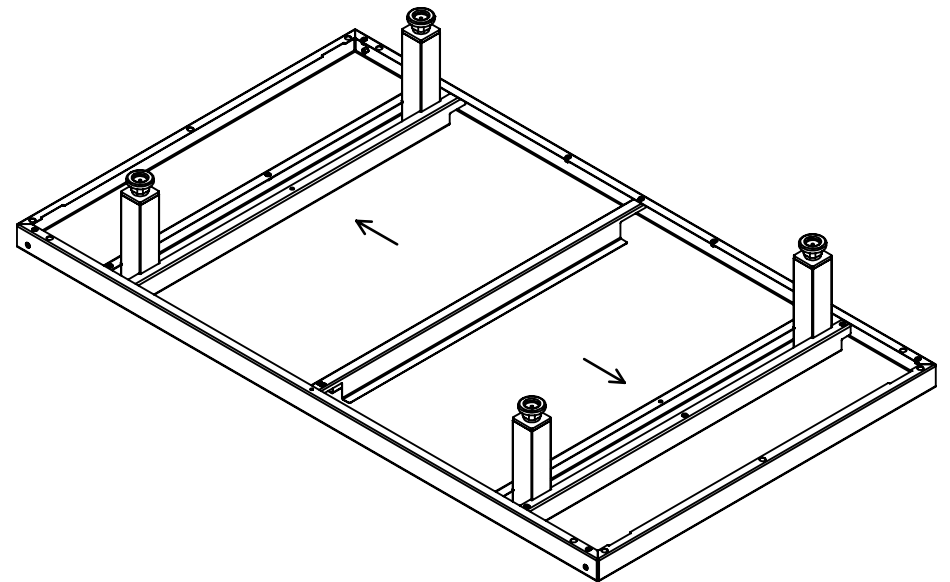
1



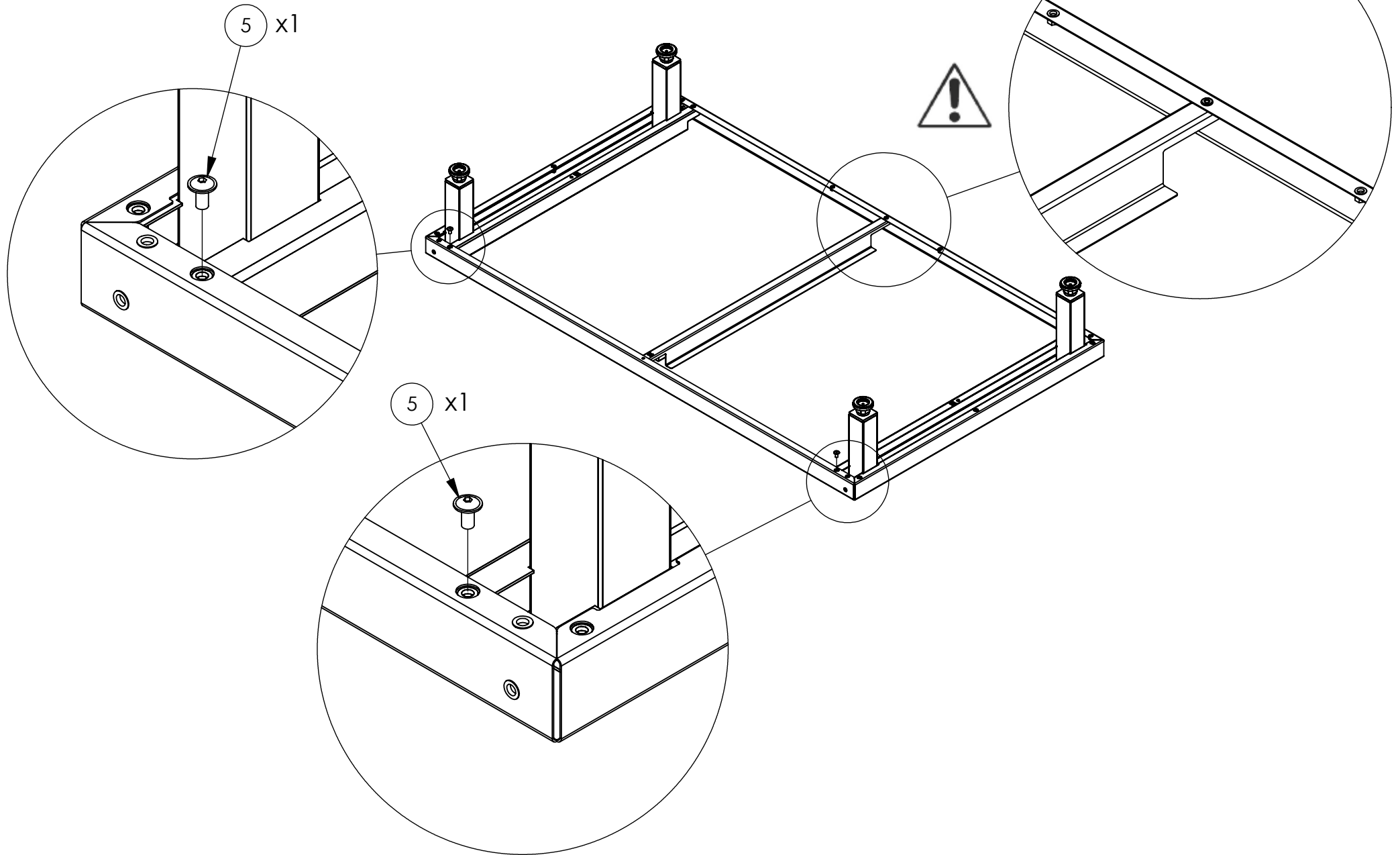
2



3



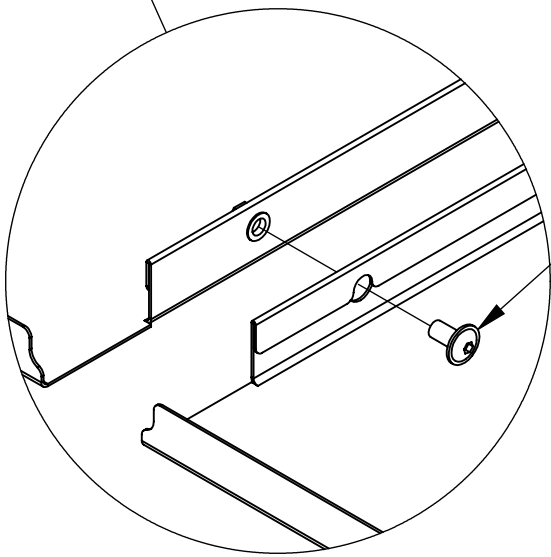
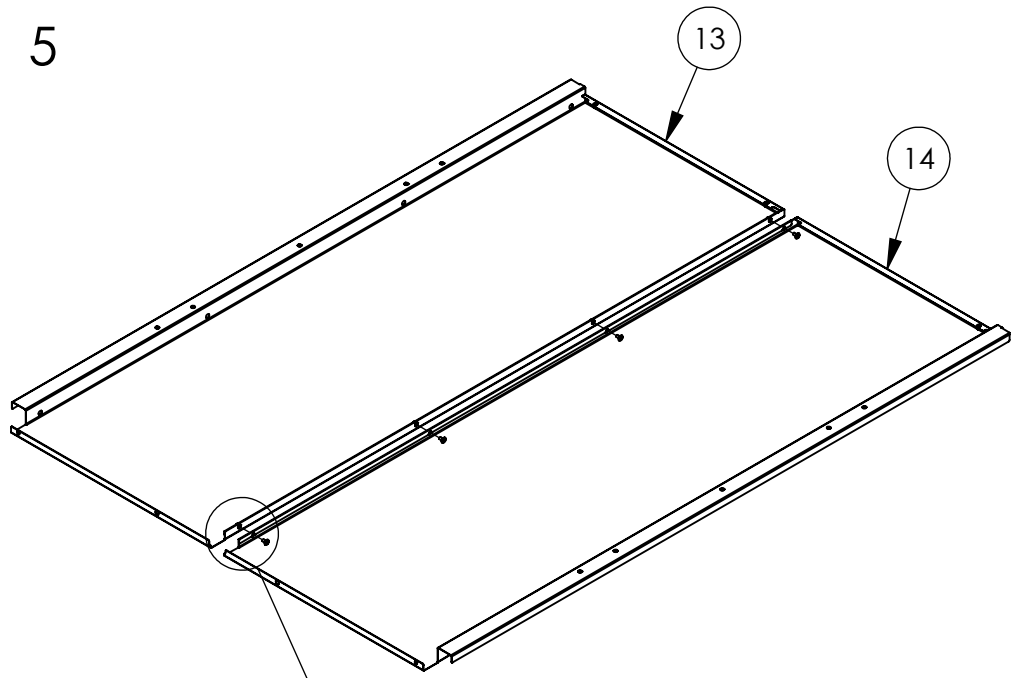
4



5

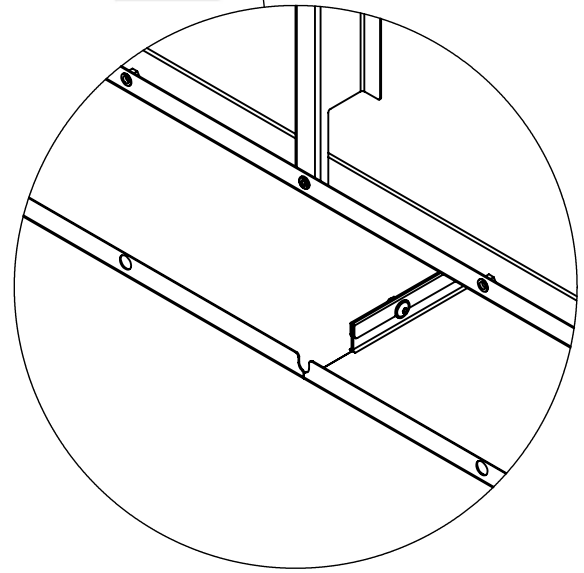
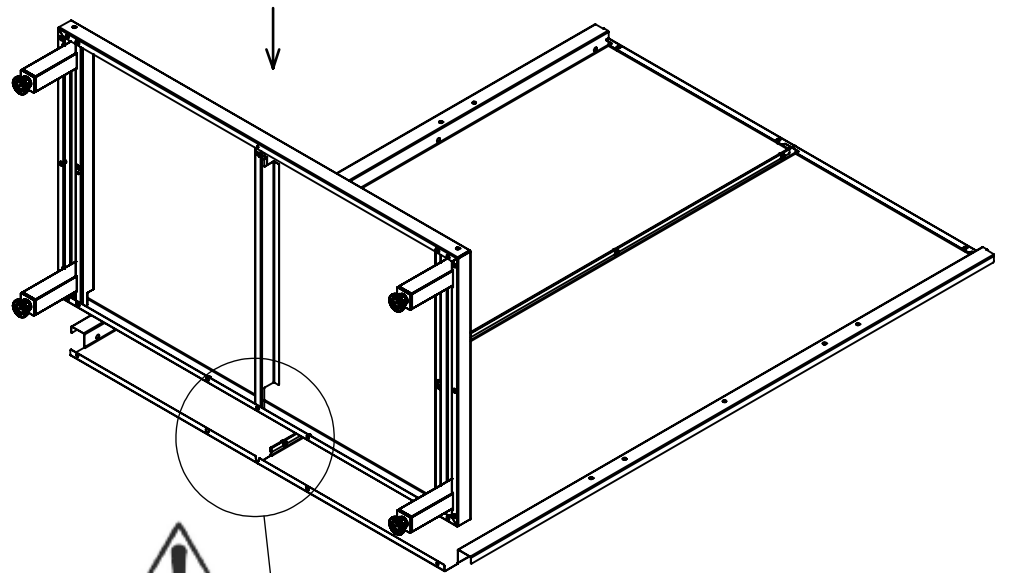
13

14

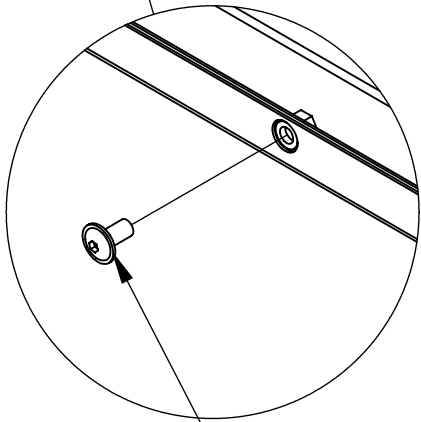
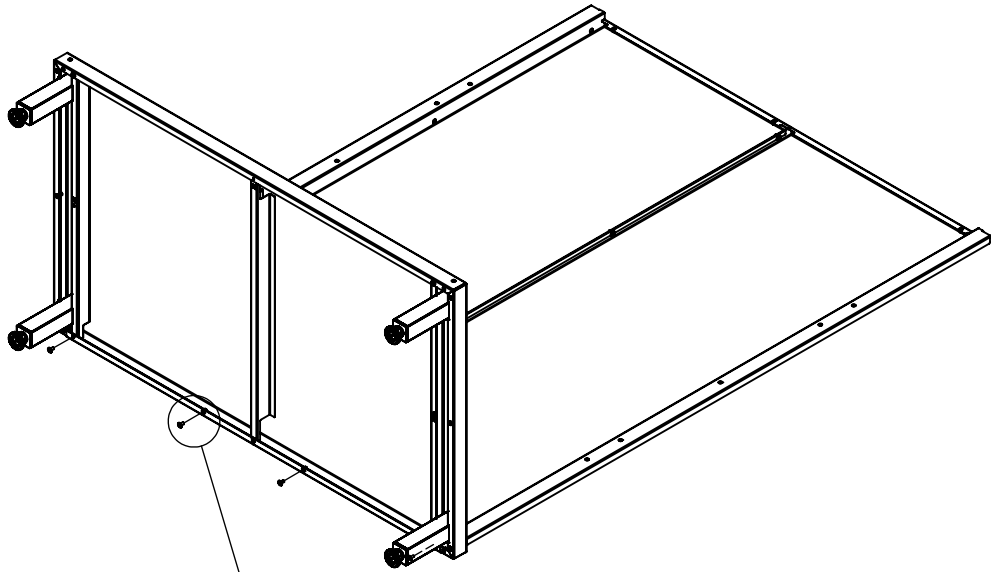


5 x4

6

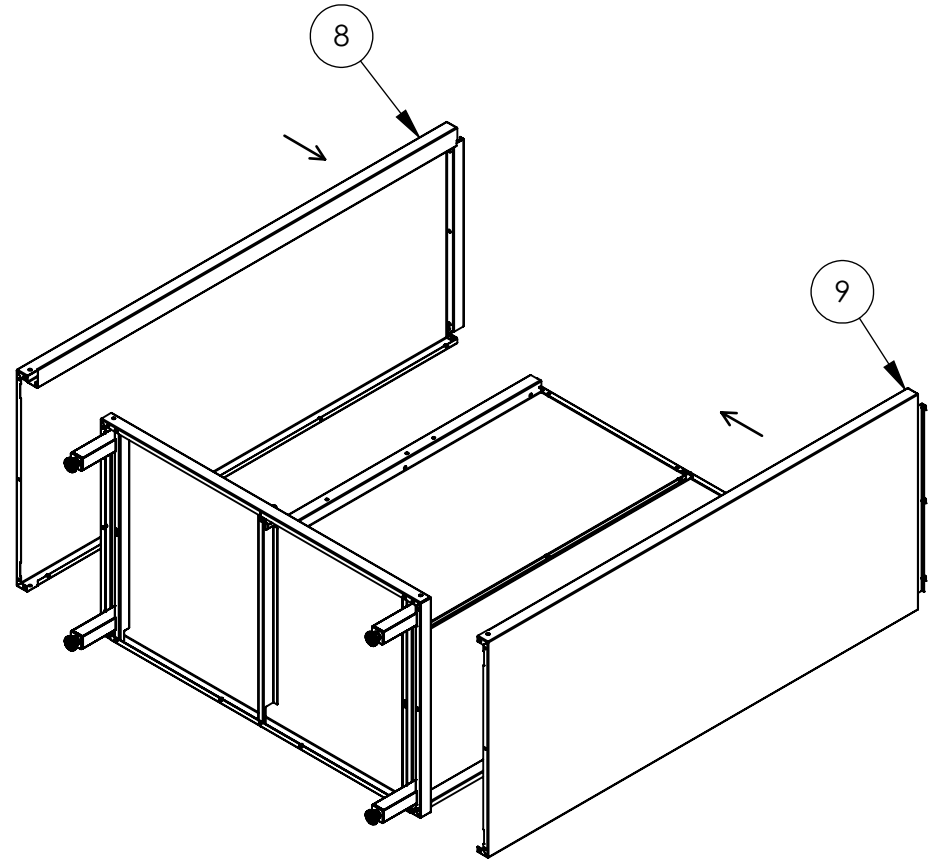


7



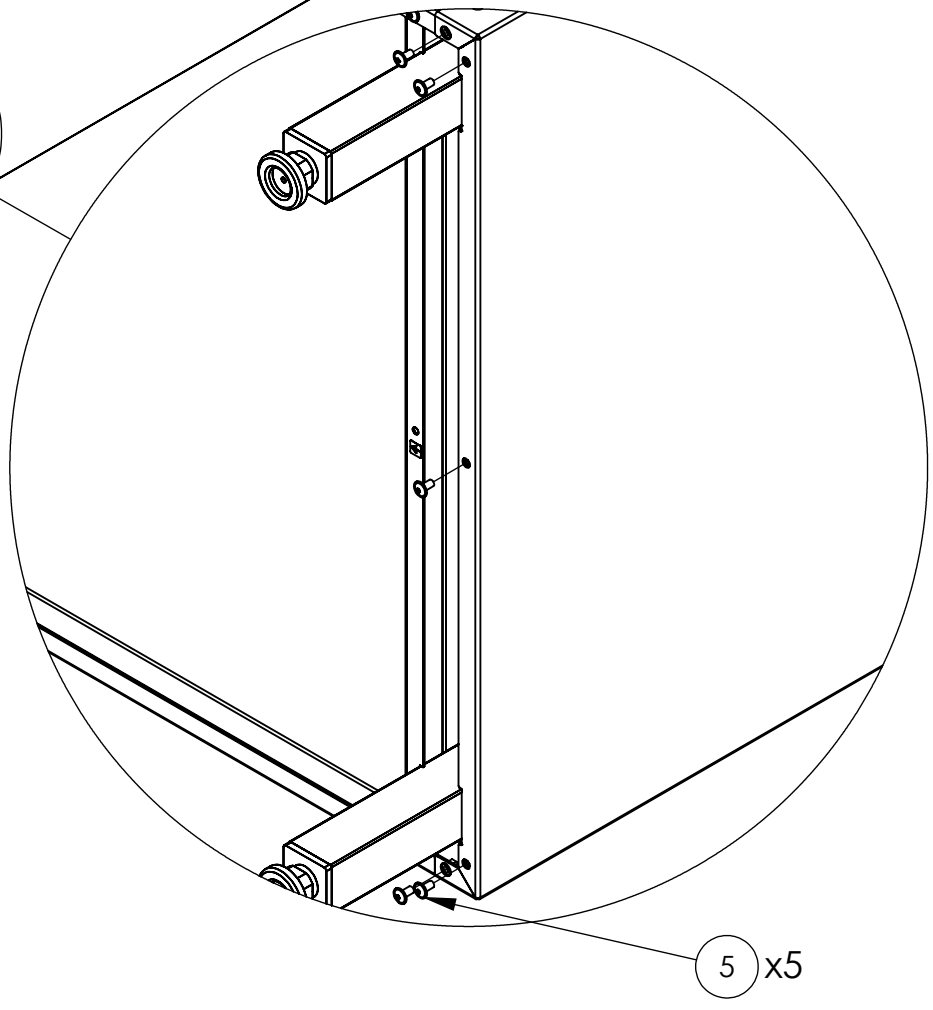
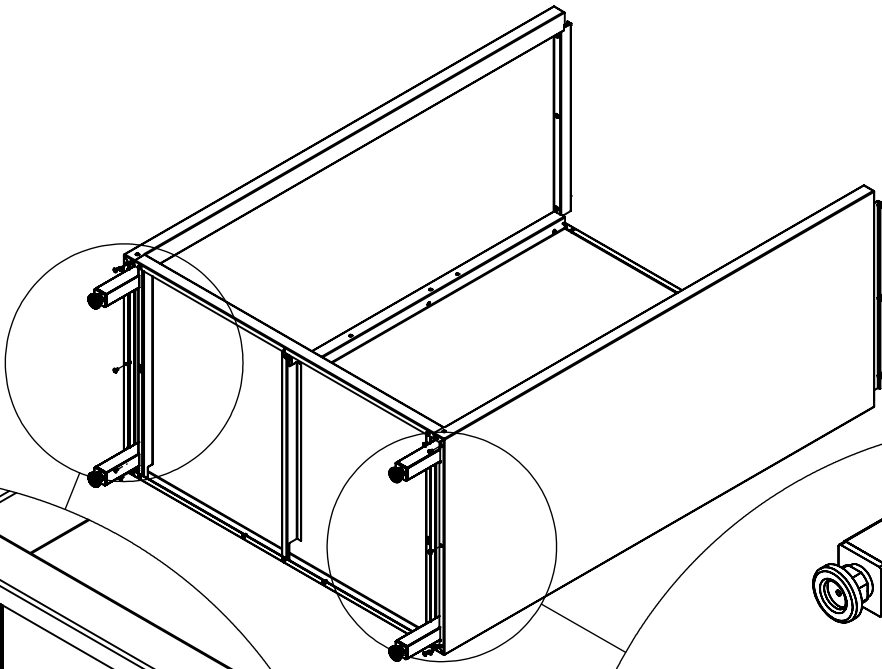
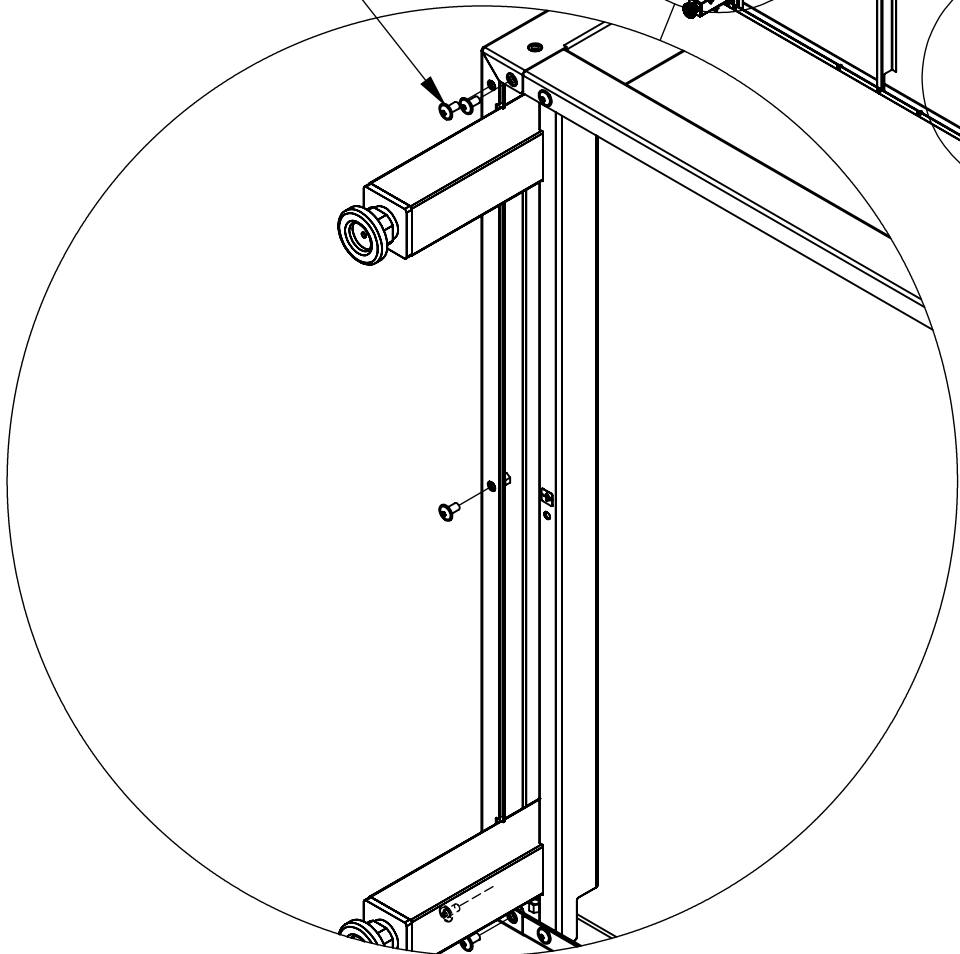
5 x4

8



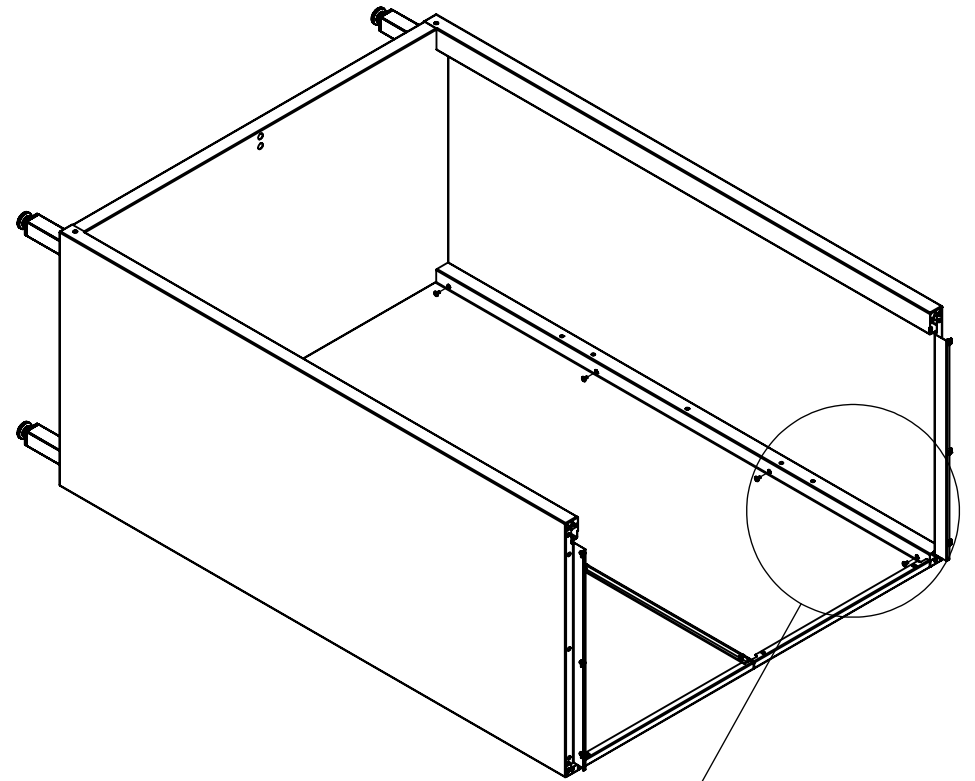
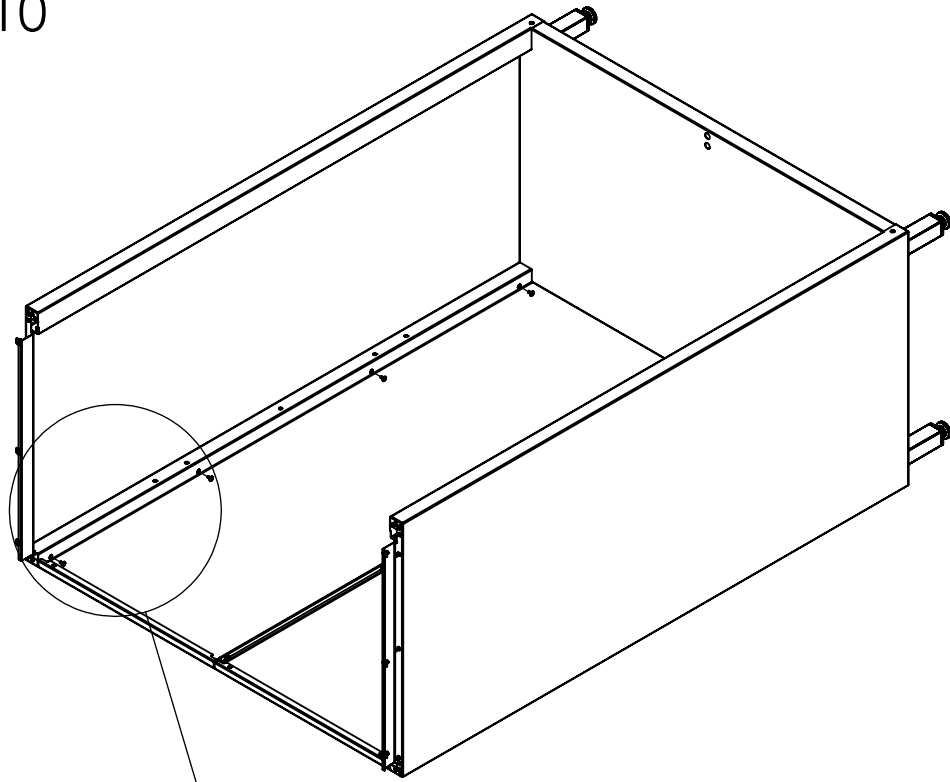
9

5 x5

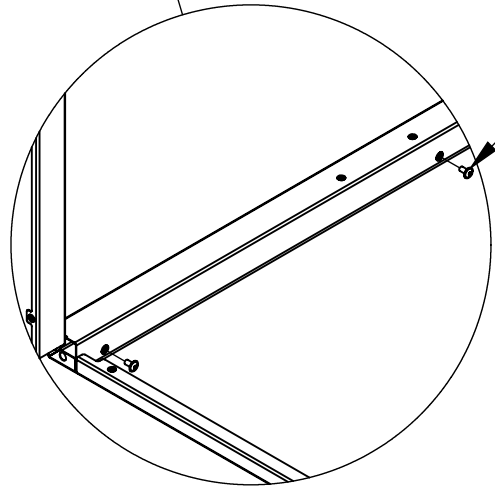


5 x5

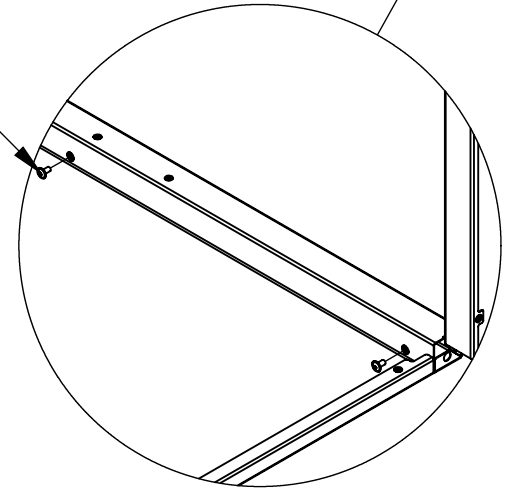
10



5 x4

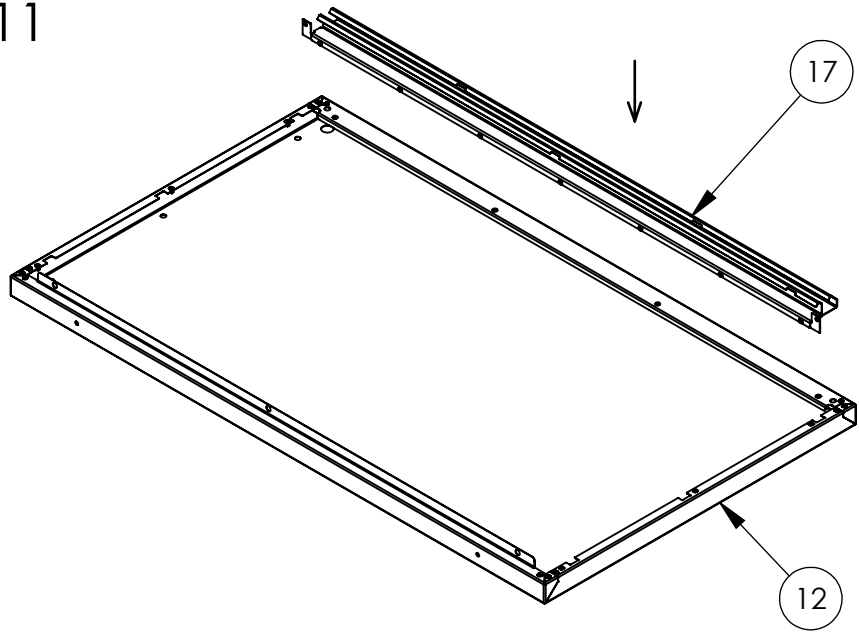


5 x4

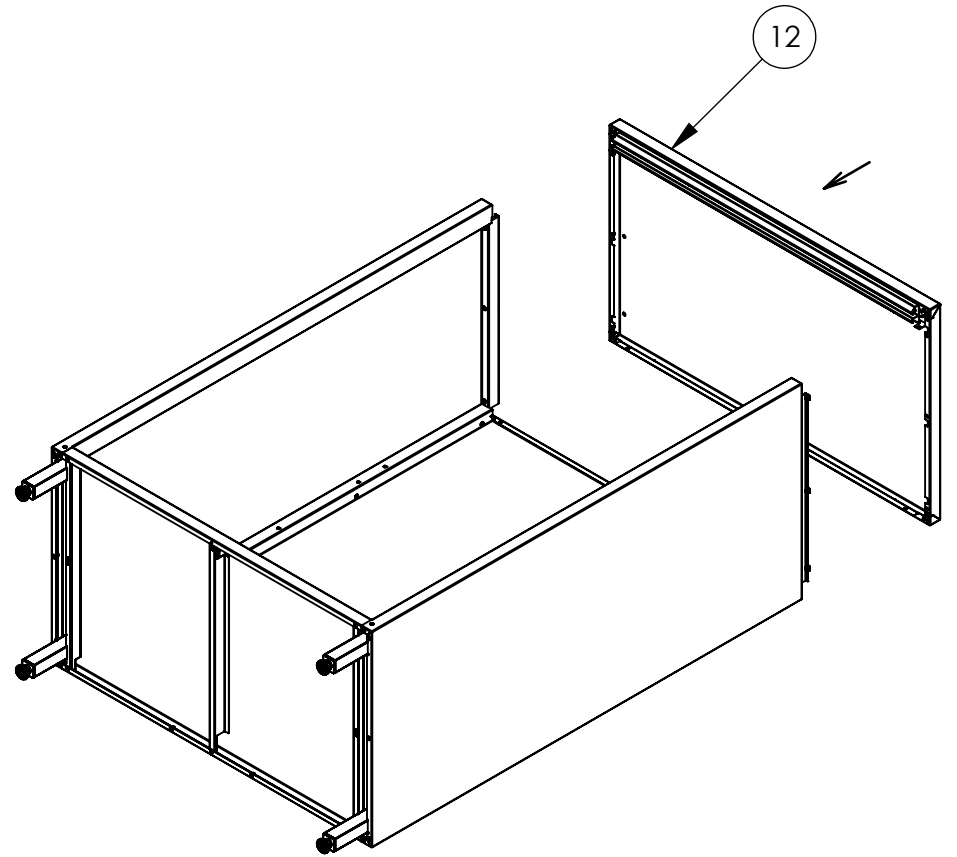




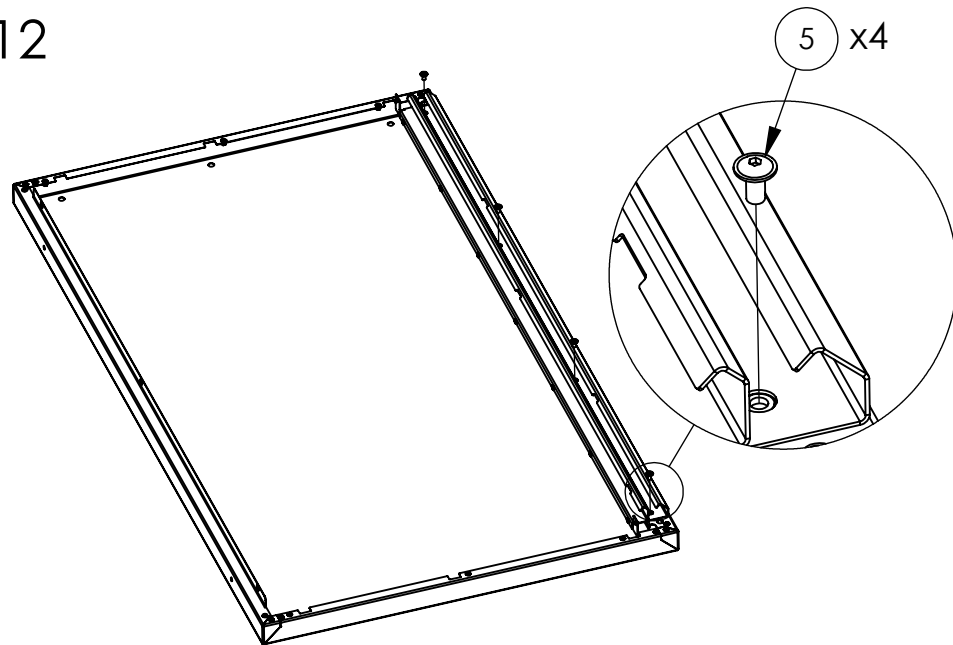
11



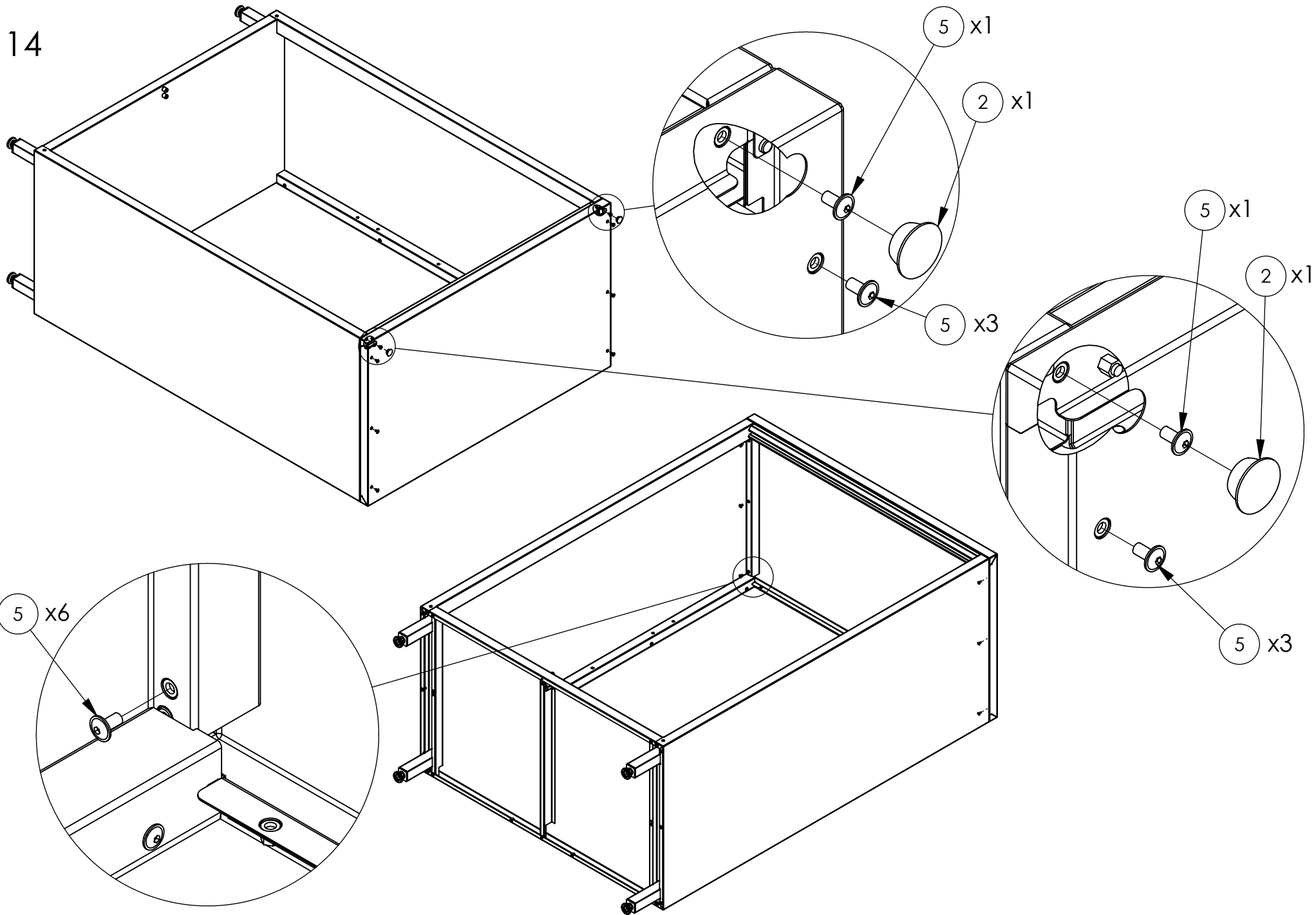
13



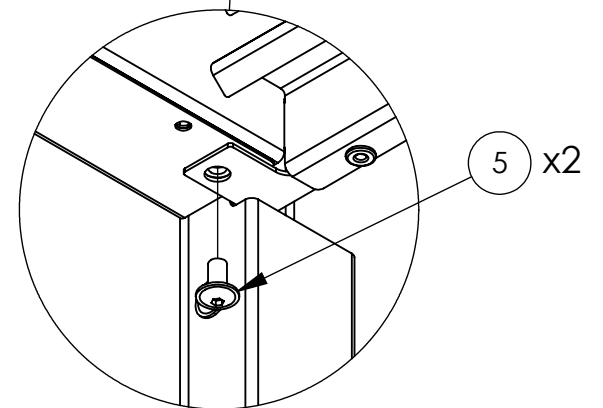
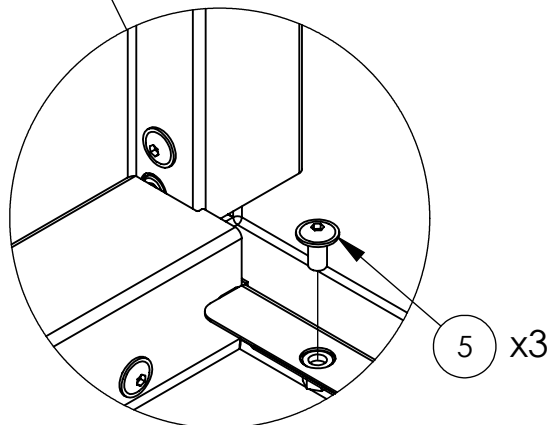
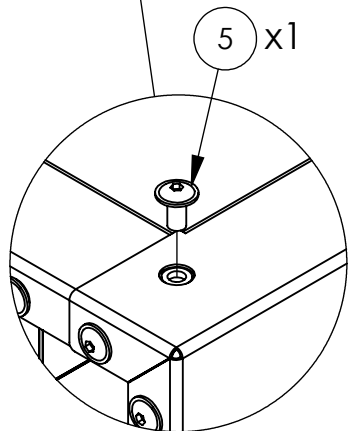
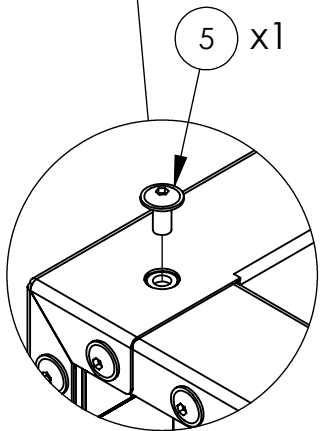
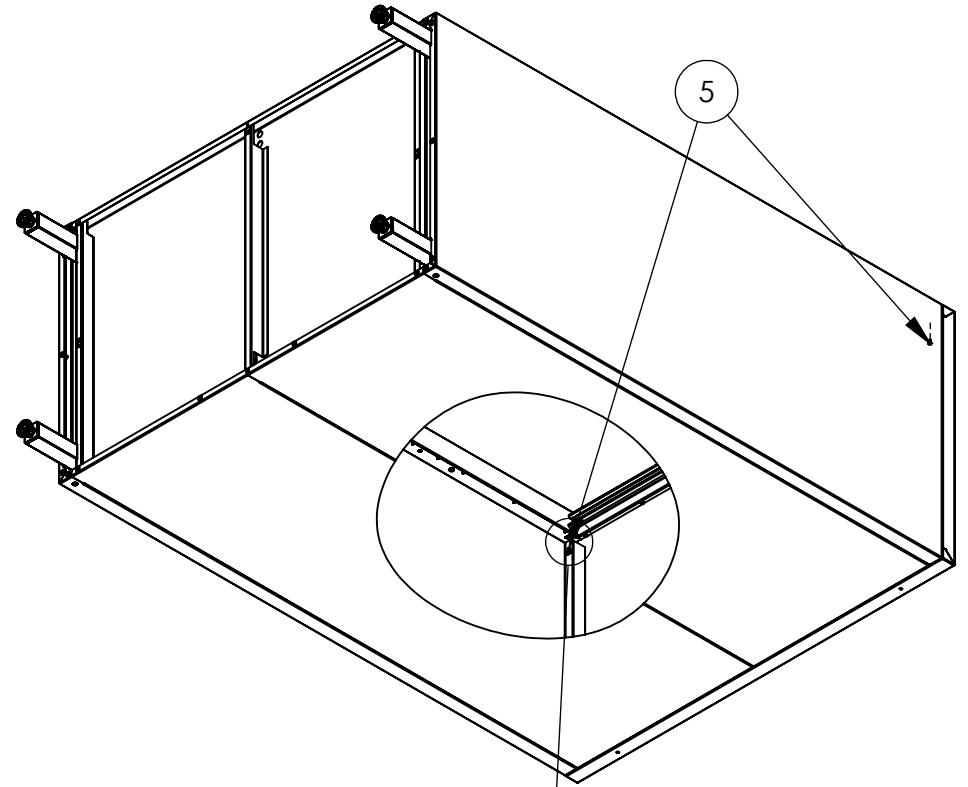
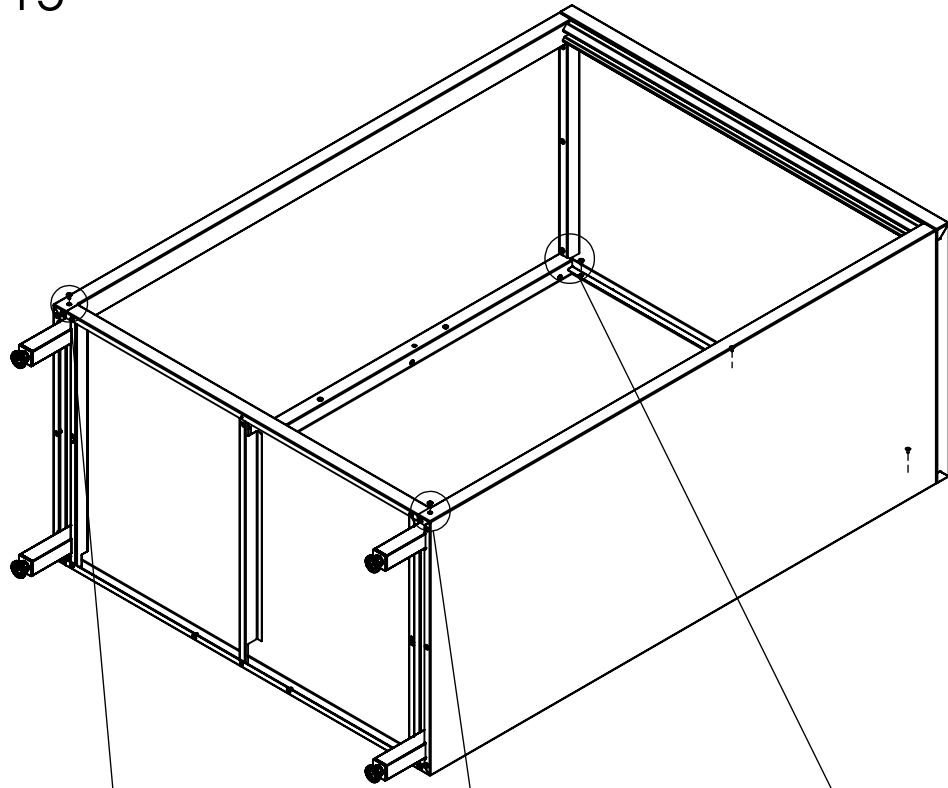
12



14



15

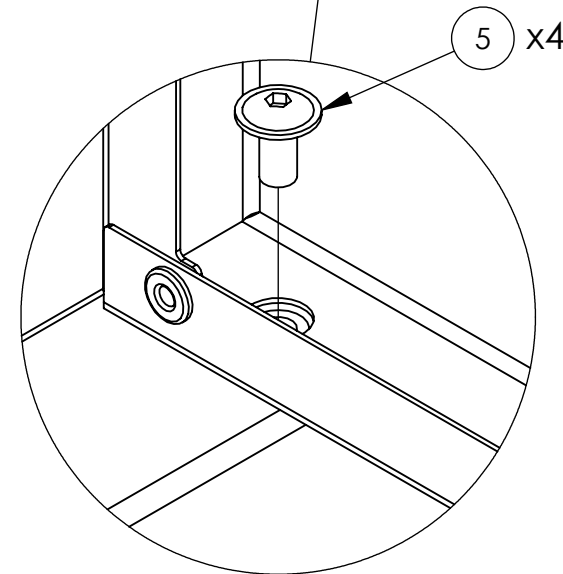
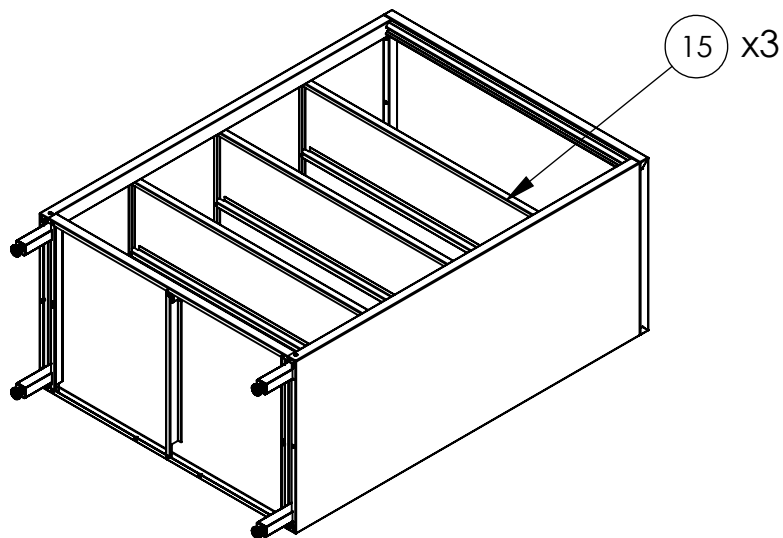
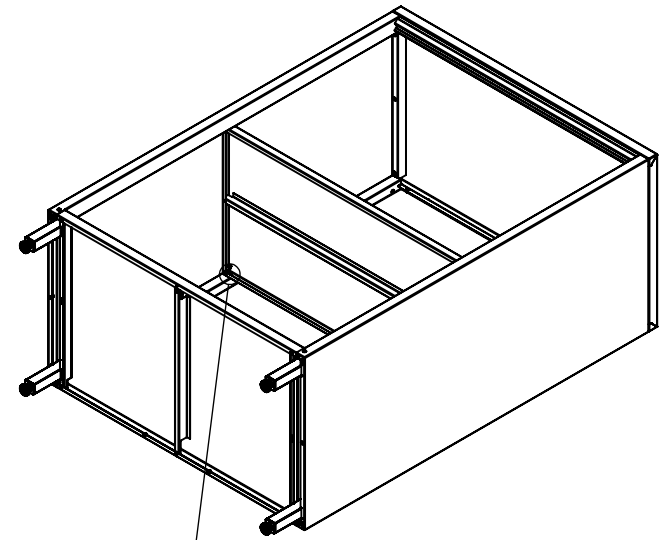
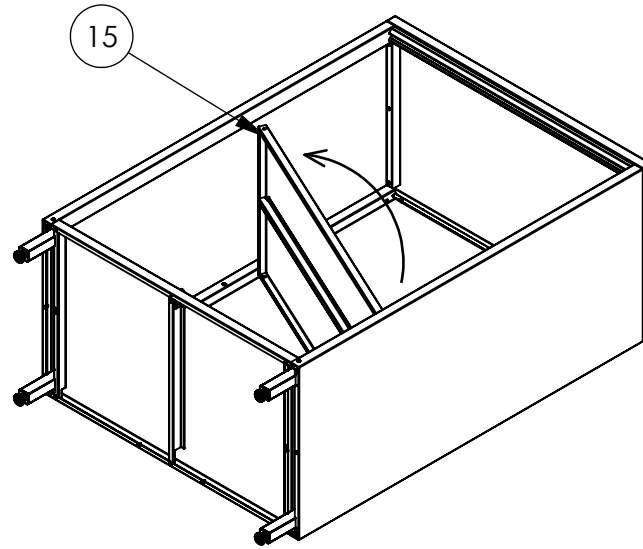
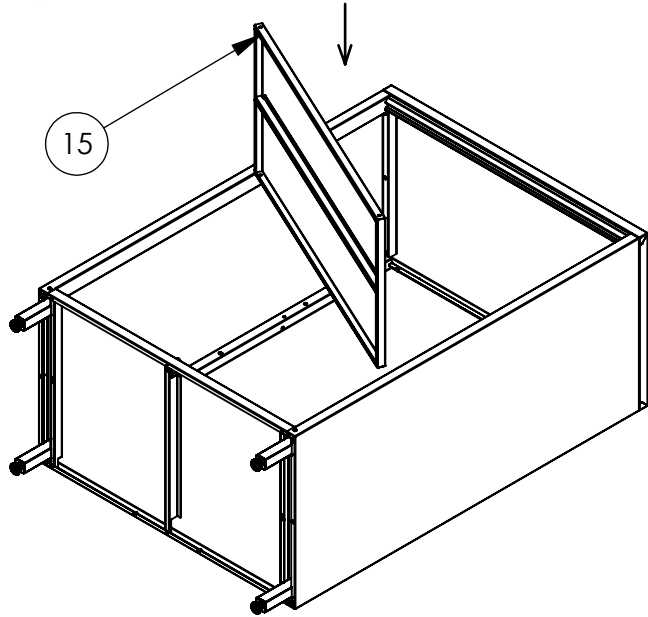


16

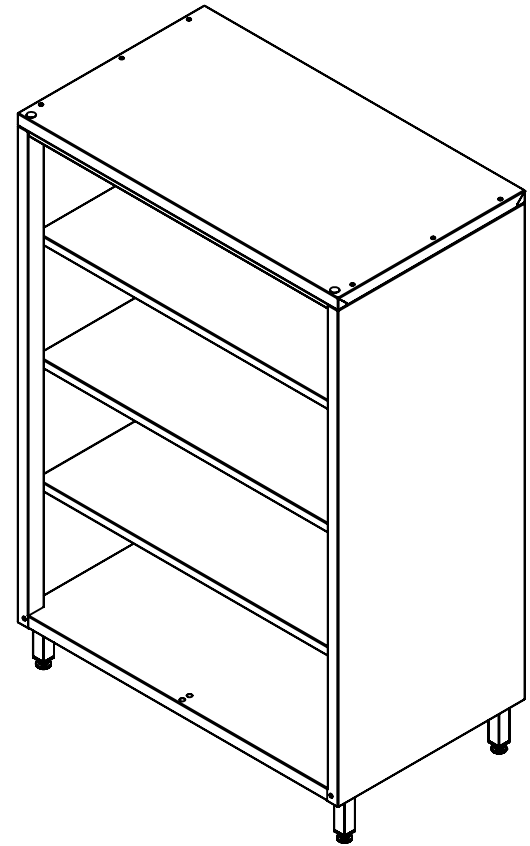
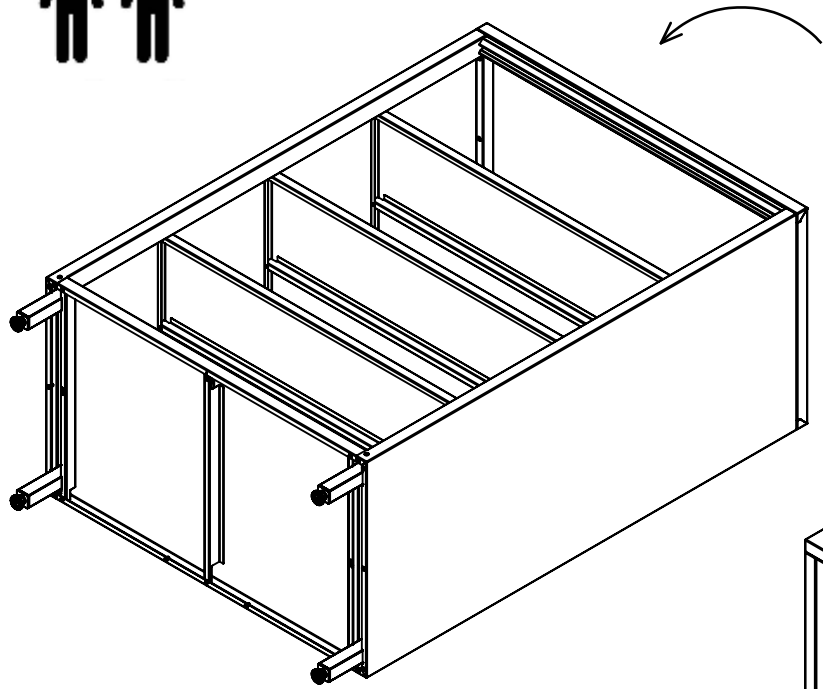
1

2

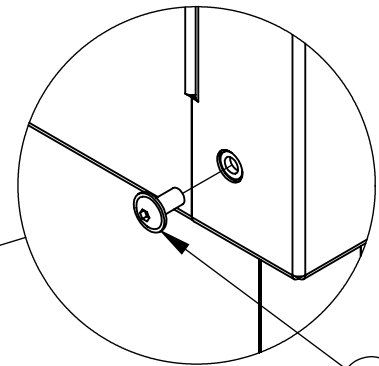
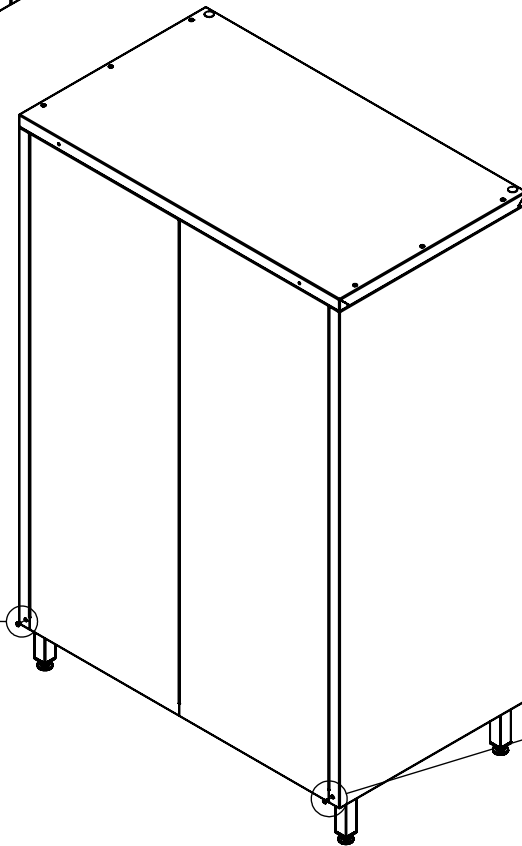
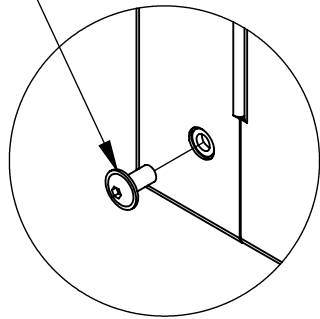
3



17

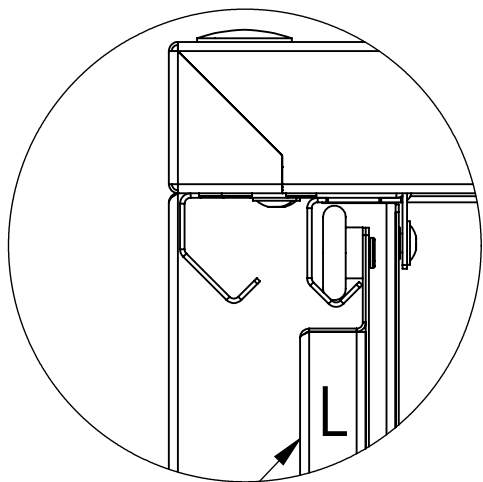


5 x1

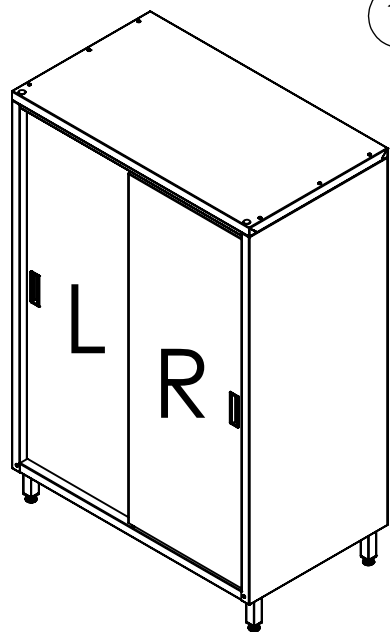
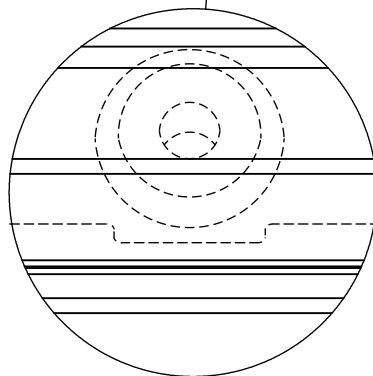
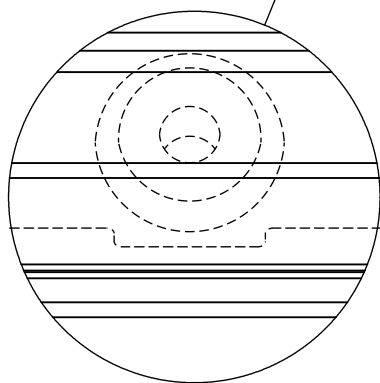
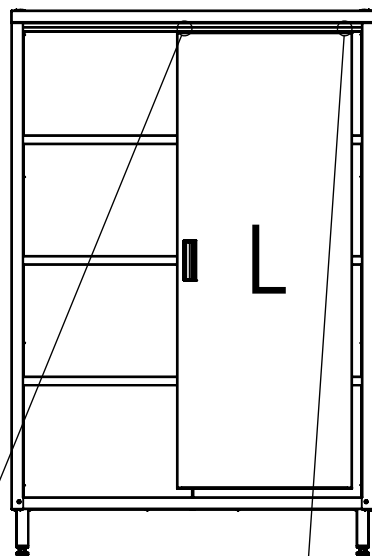


5 x1

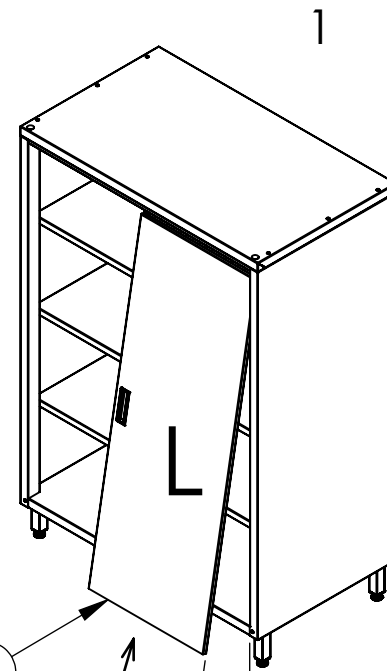
18



10

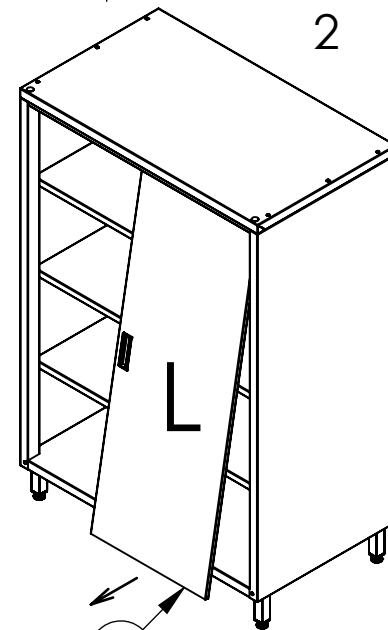


10



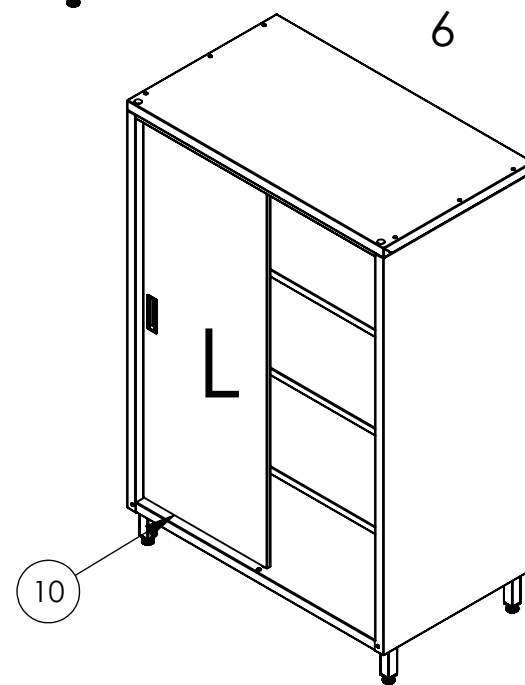
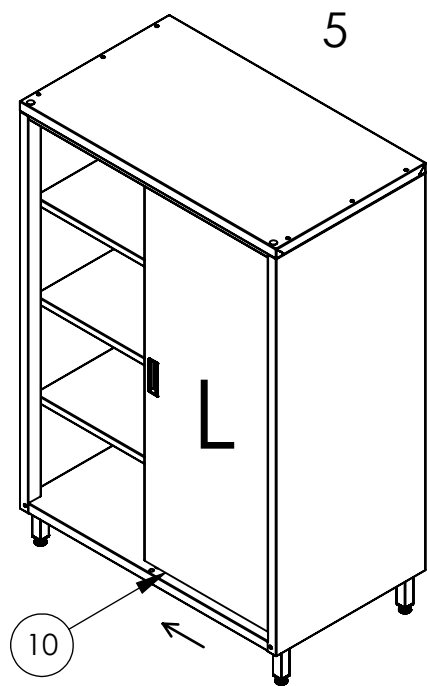
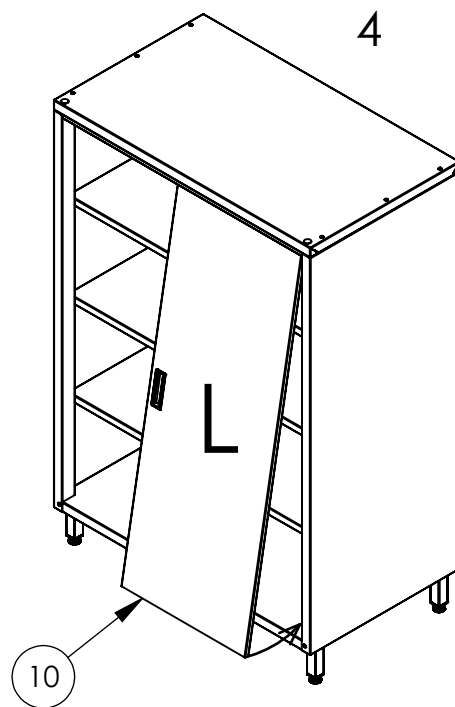
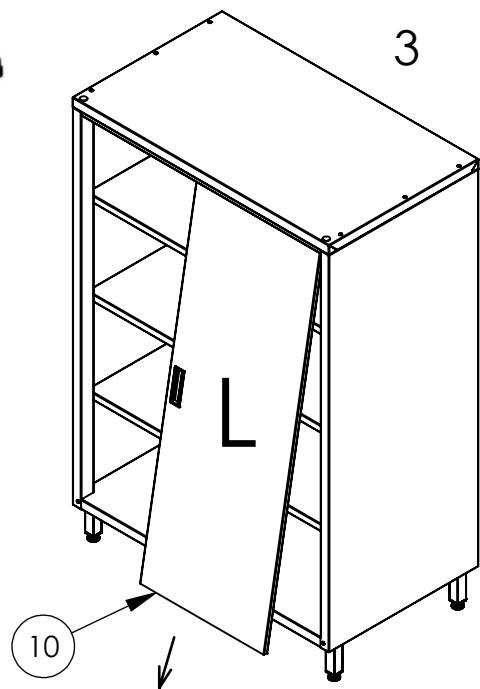
~45°

2

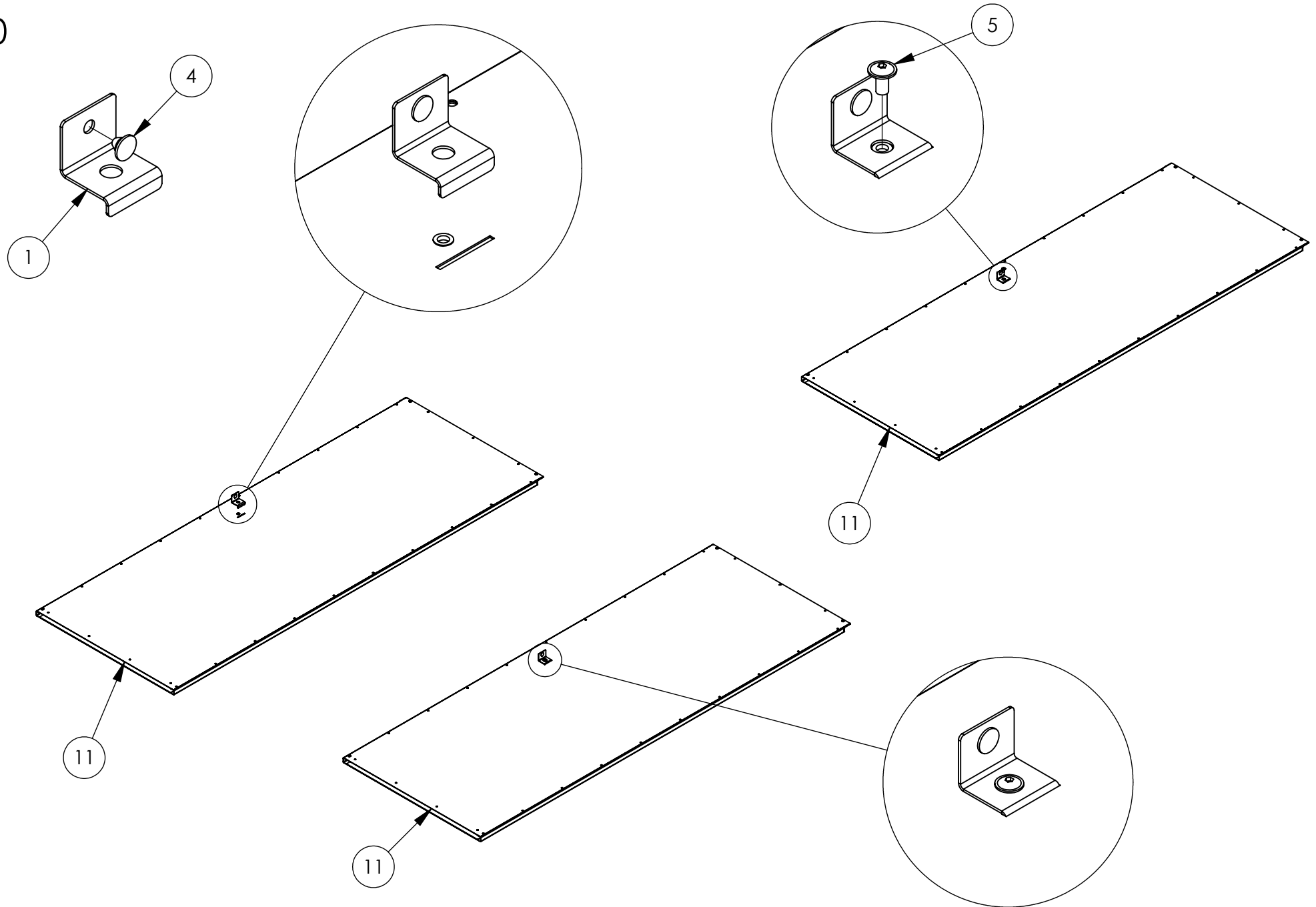


10

19

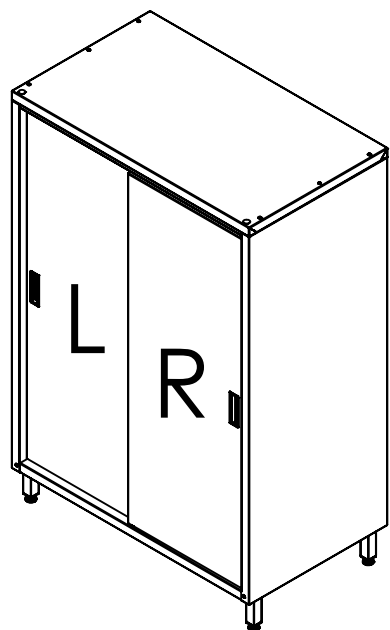
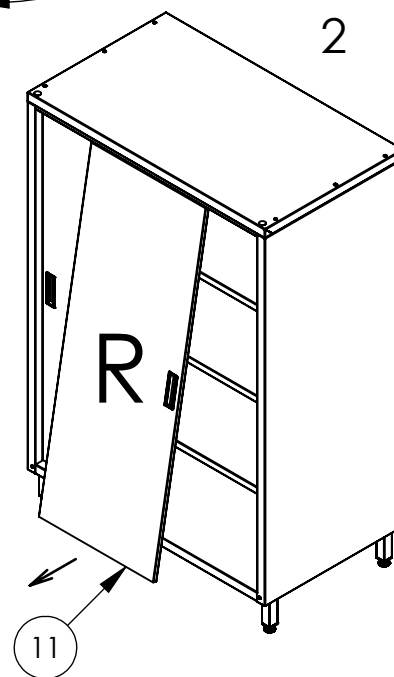
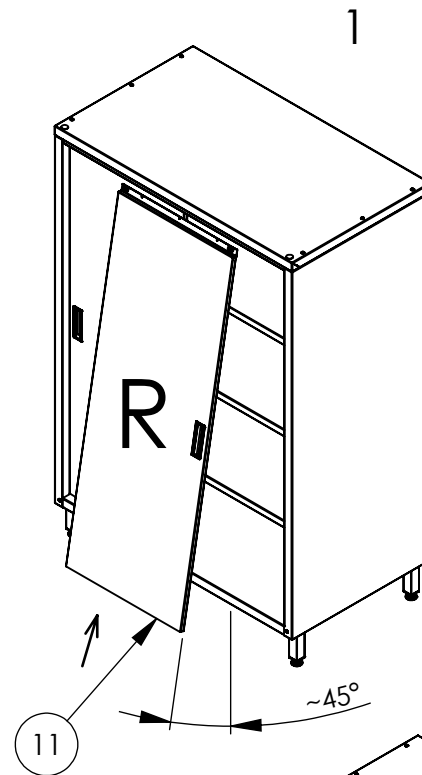
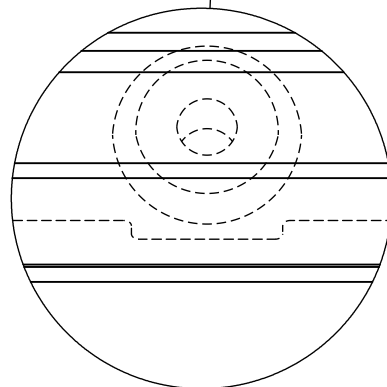
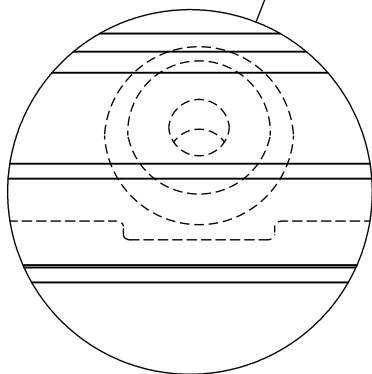
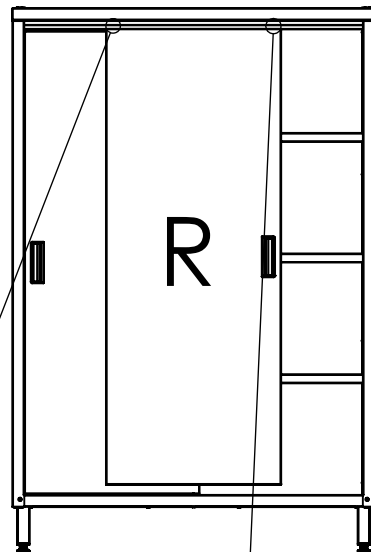
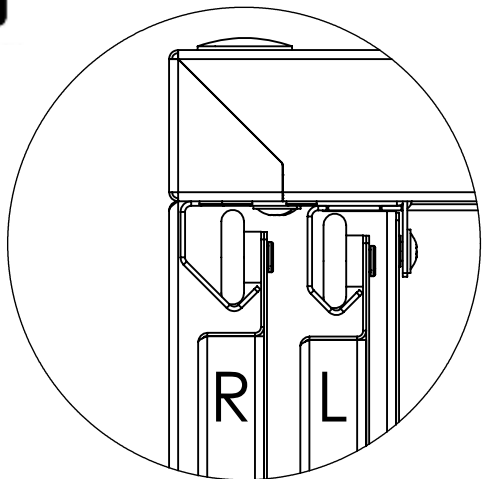


20

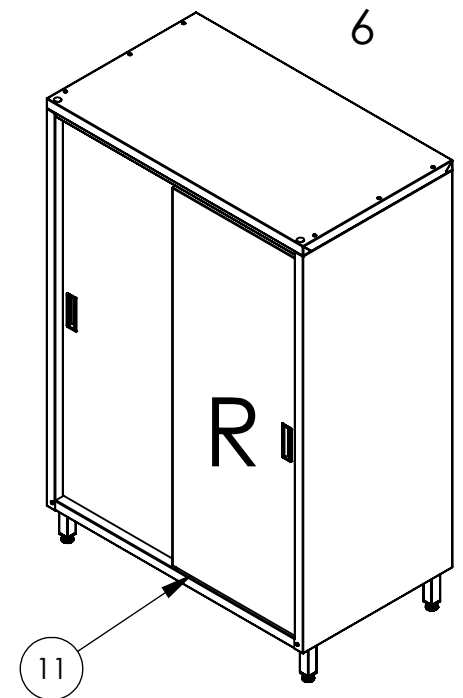
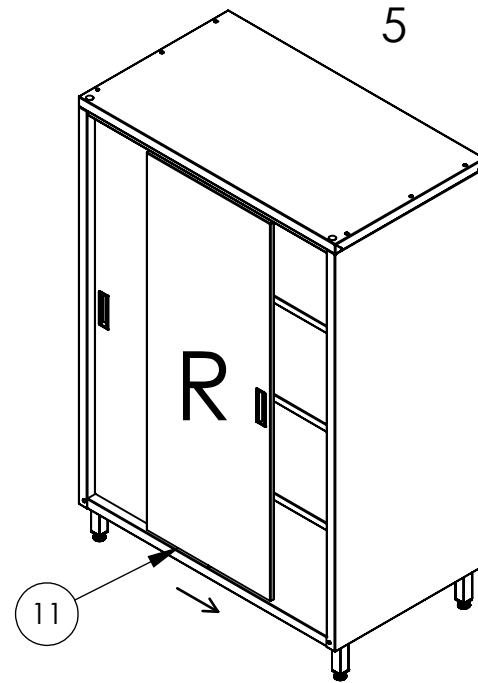
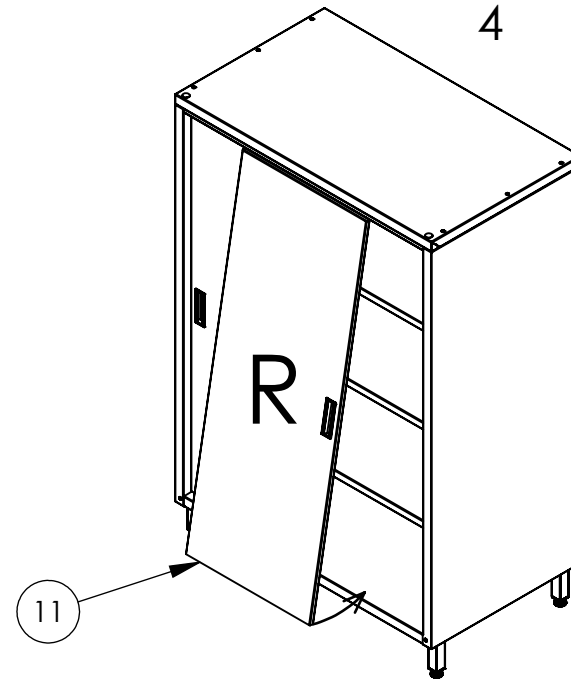
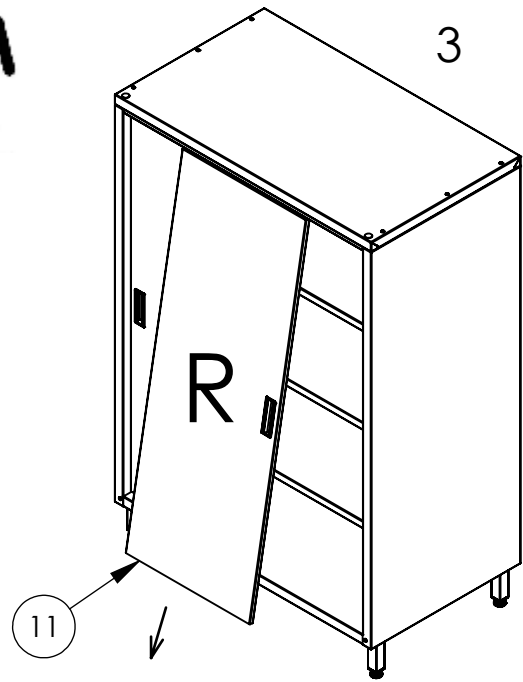




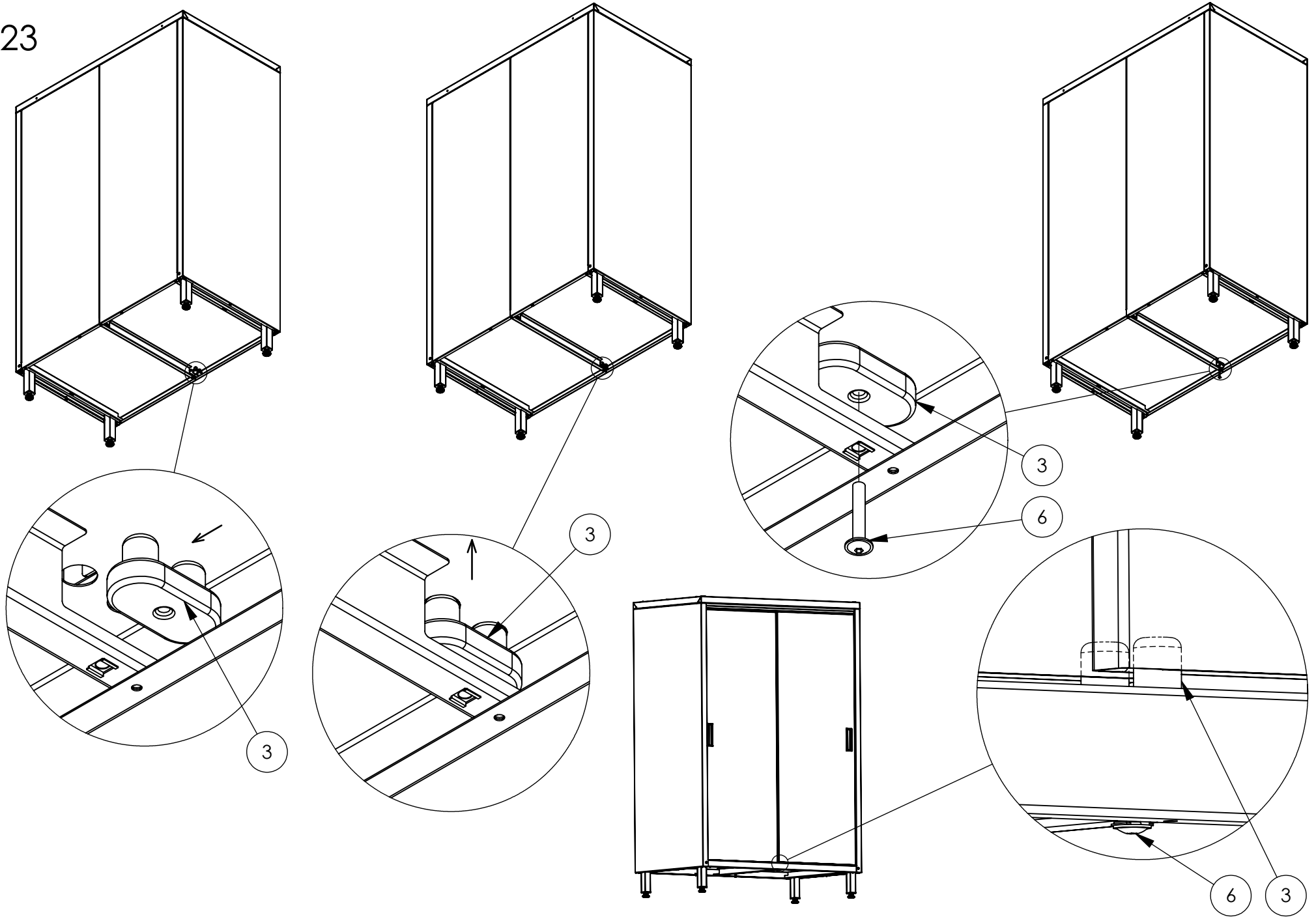
21



22



23



24

