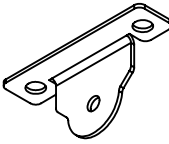
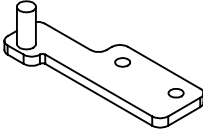
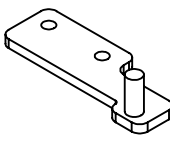



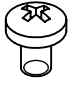
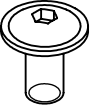
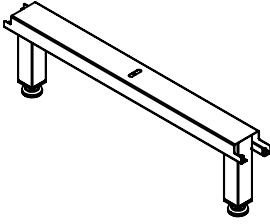
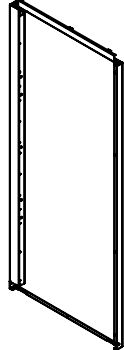
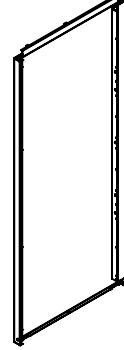

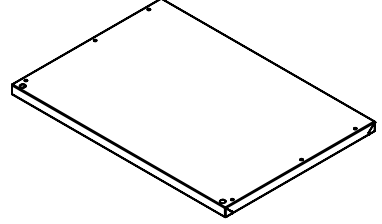
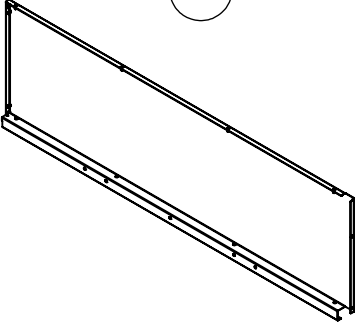
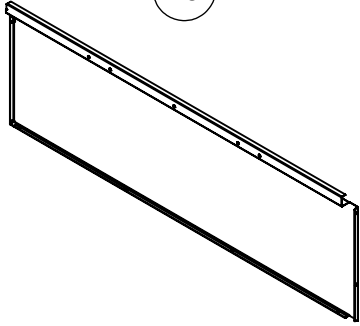
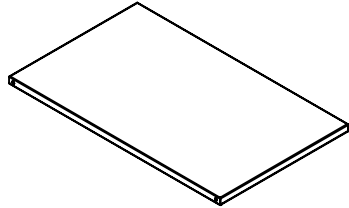
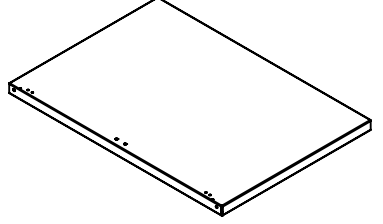
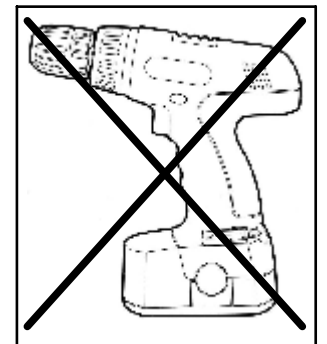
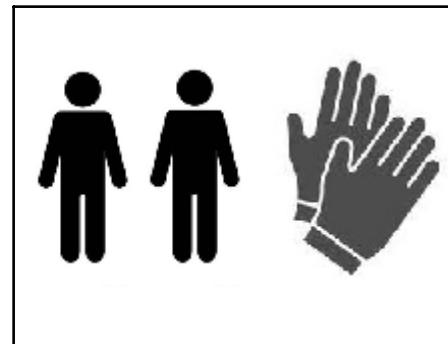
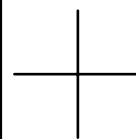
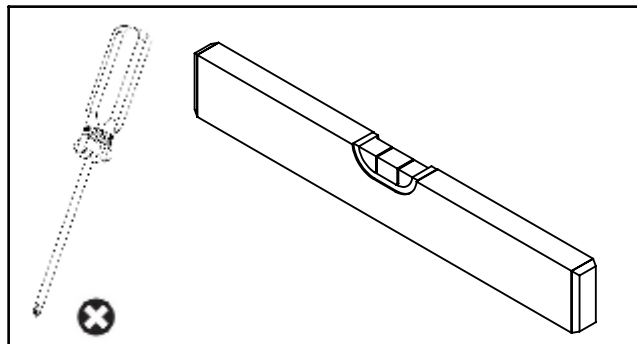
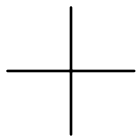
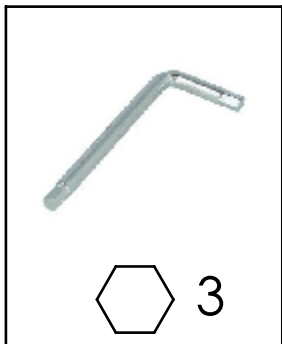
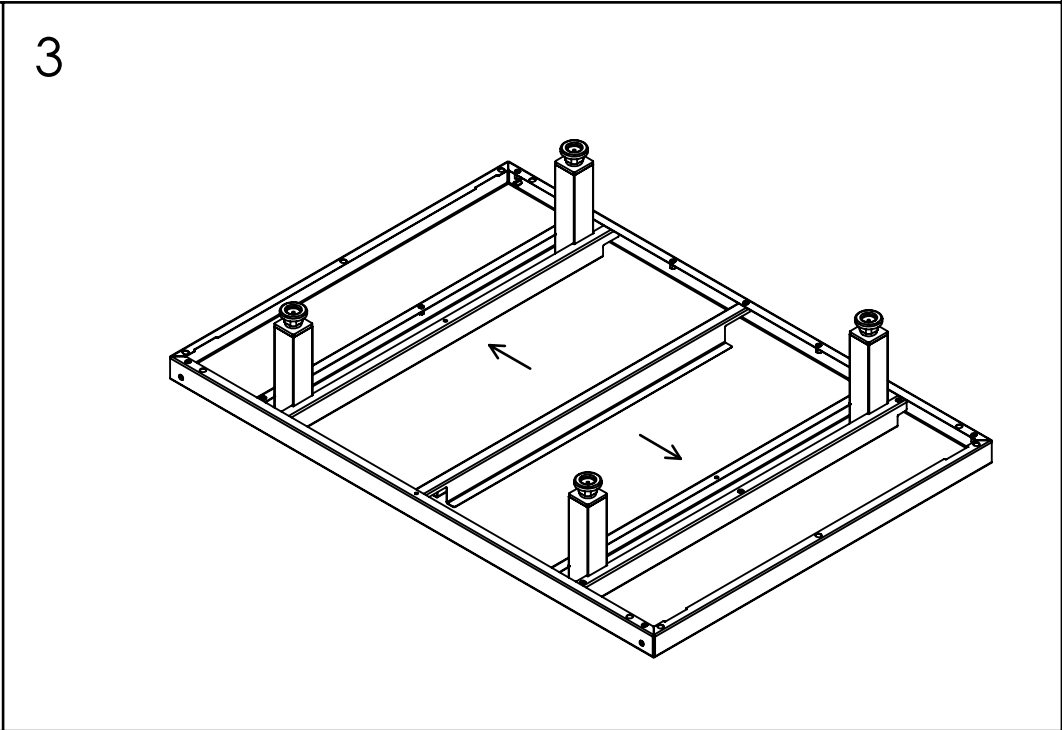
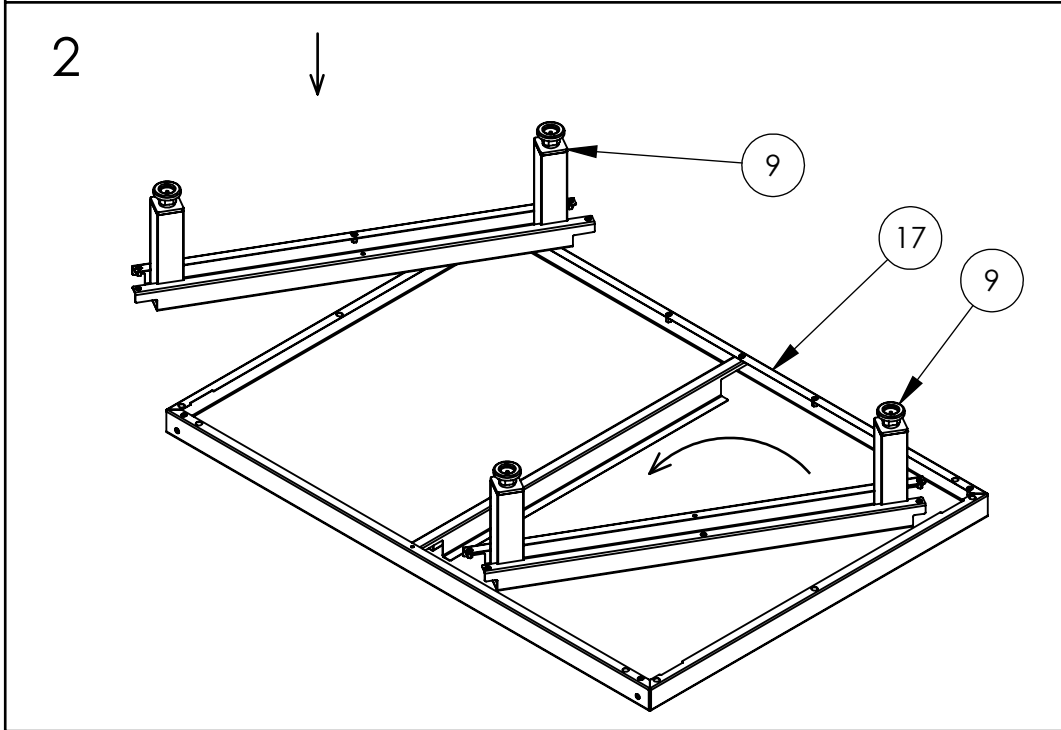
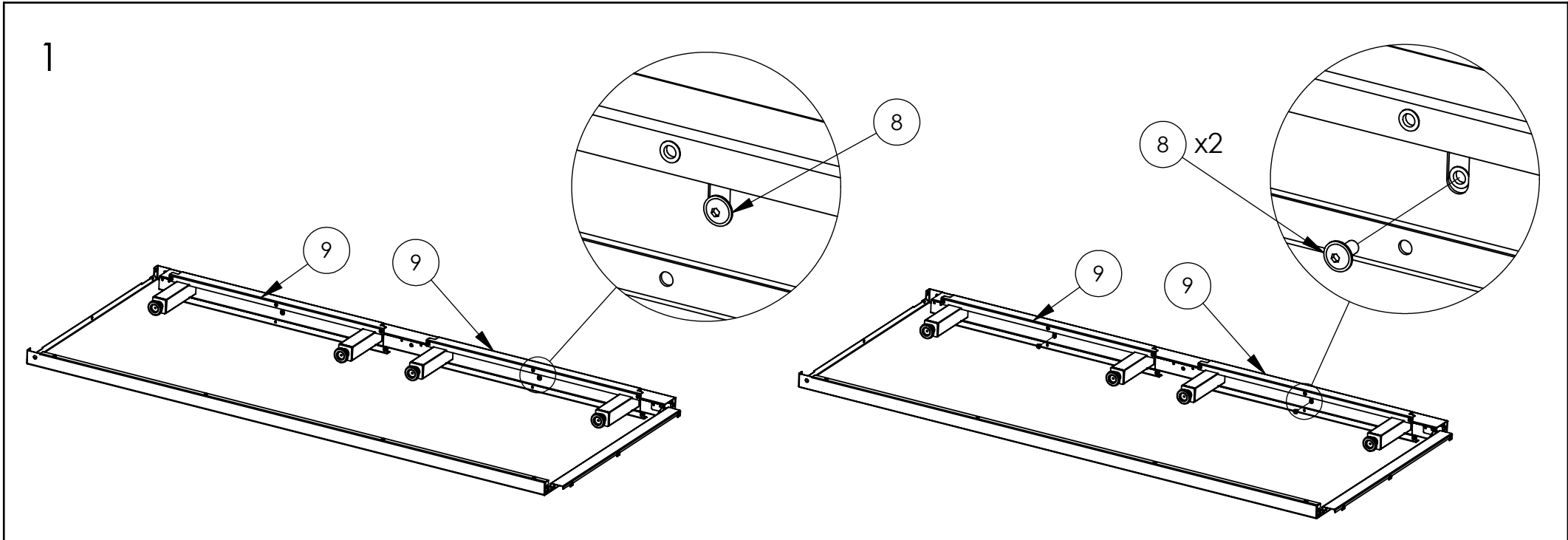
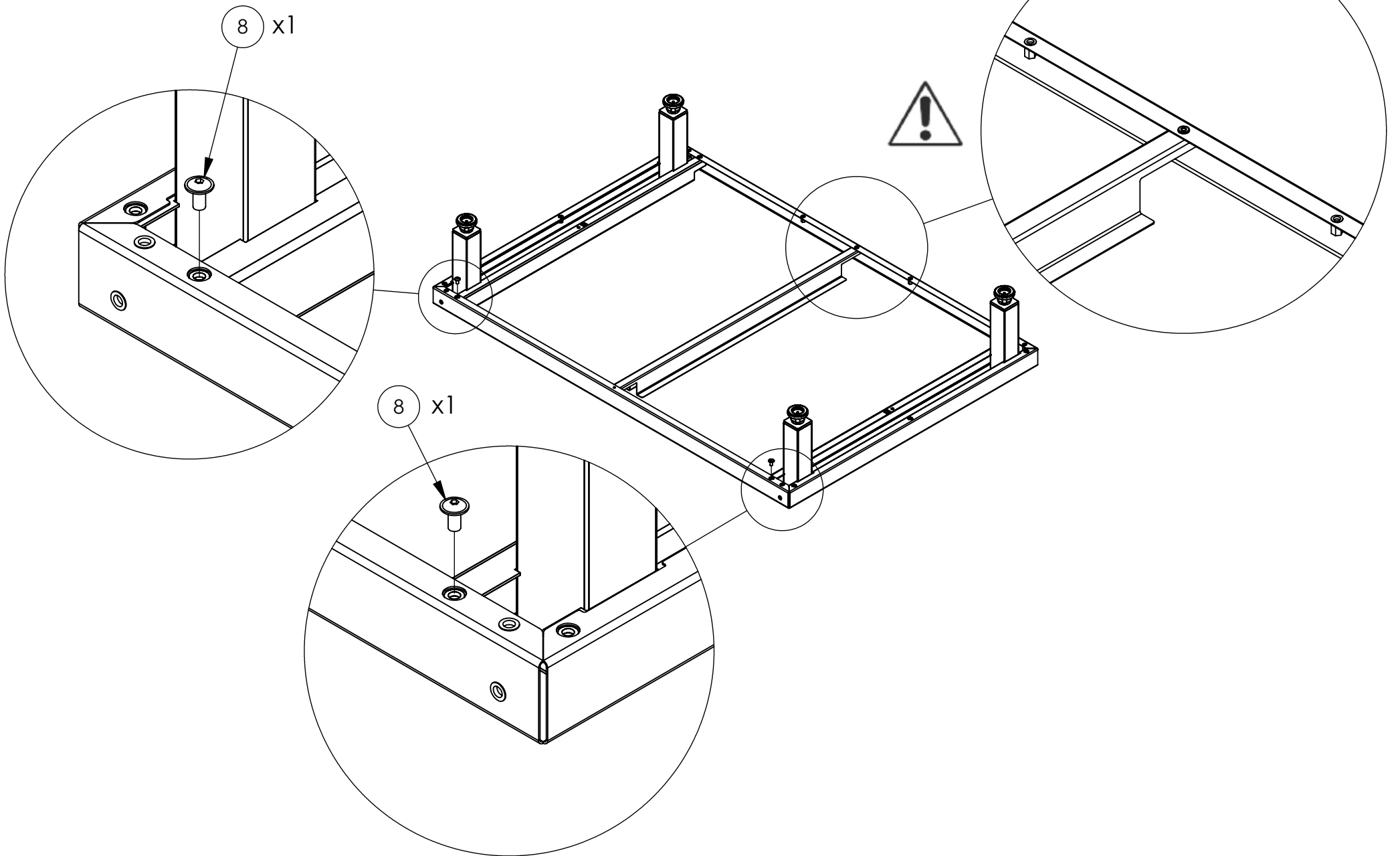


<p>1 x1</p> 	<p>2 x2</p> 	<p>3 x2</p> 	<p>4 x4</p> 	<p>5 x2</p> 	<p>6 x2</p> 	<p>7 x2</p> 	<p>8 x73</p> 
<p>9 x2</p> 	<p>10 x1</p> 	<p>11 x1</p> 	<p>12 x2</p> 	<p>13 x1</p> 			
<p>14 x1</p> 	<p>15 x1</p> 	<p>16 x1</p> 	<p>17 x1</p> 				





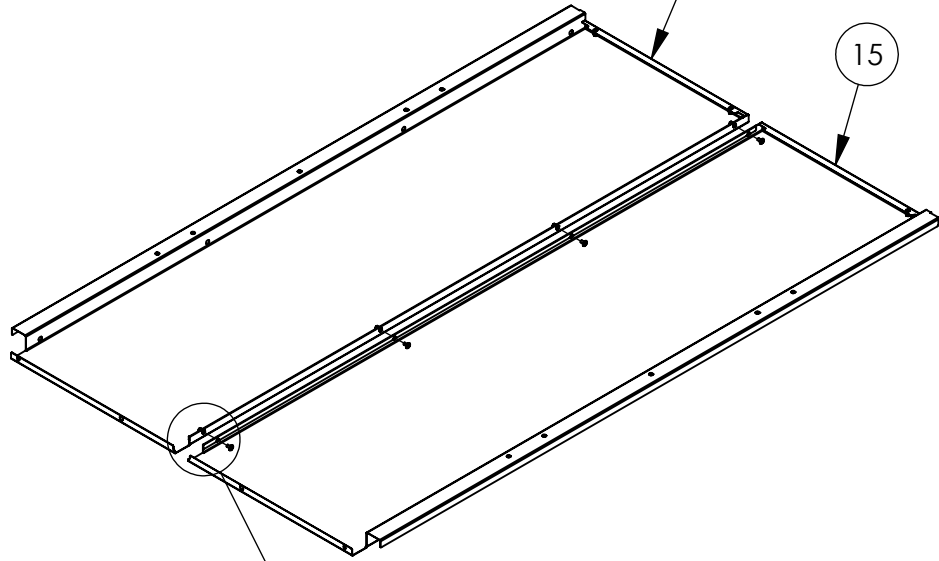
4



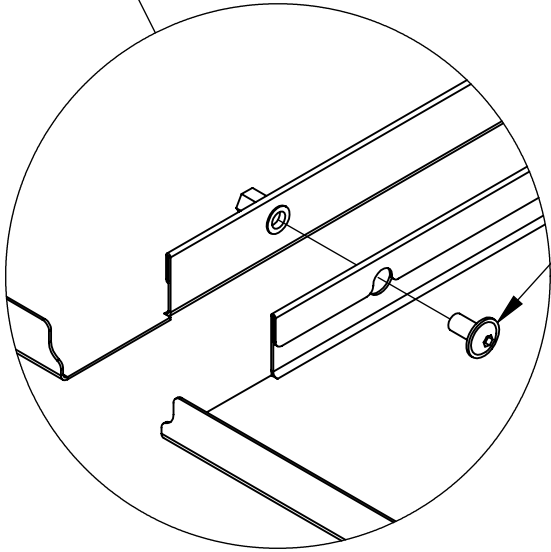
5

14

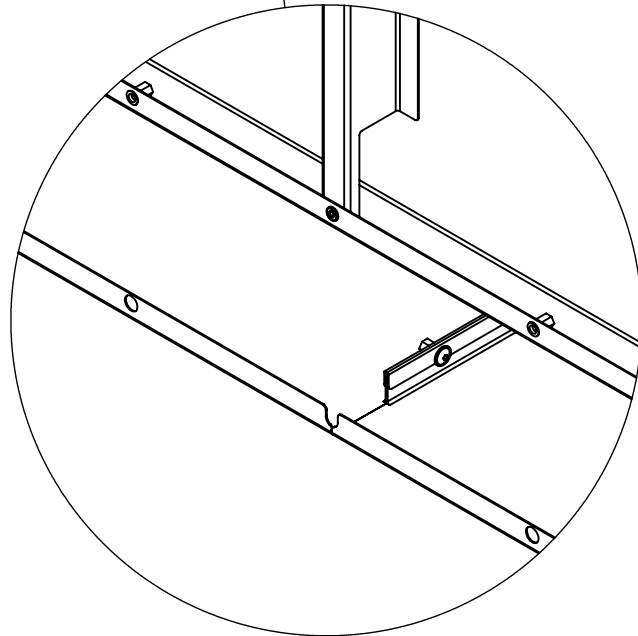
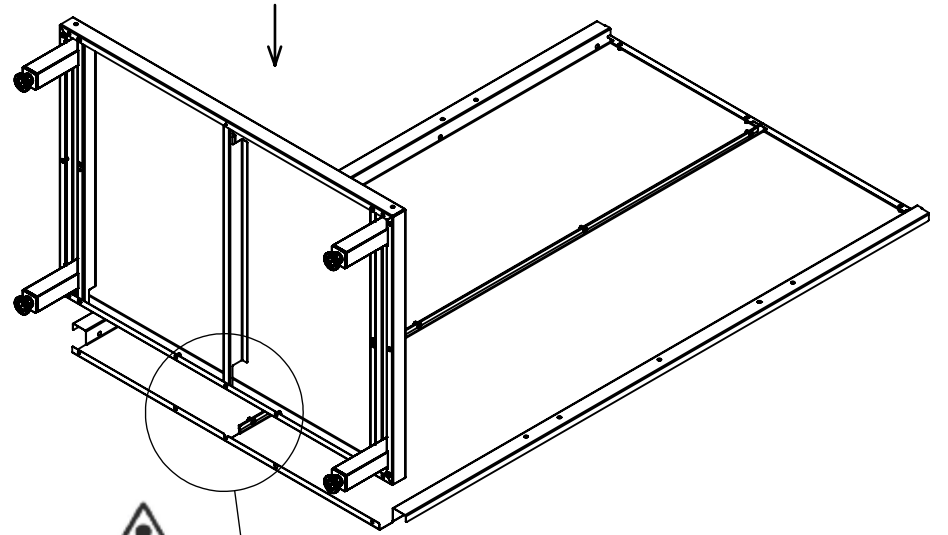
15



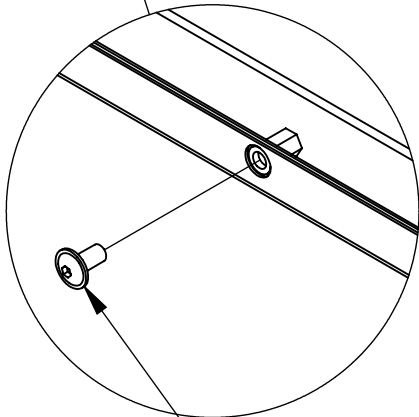
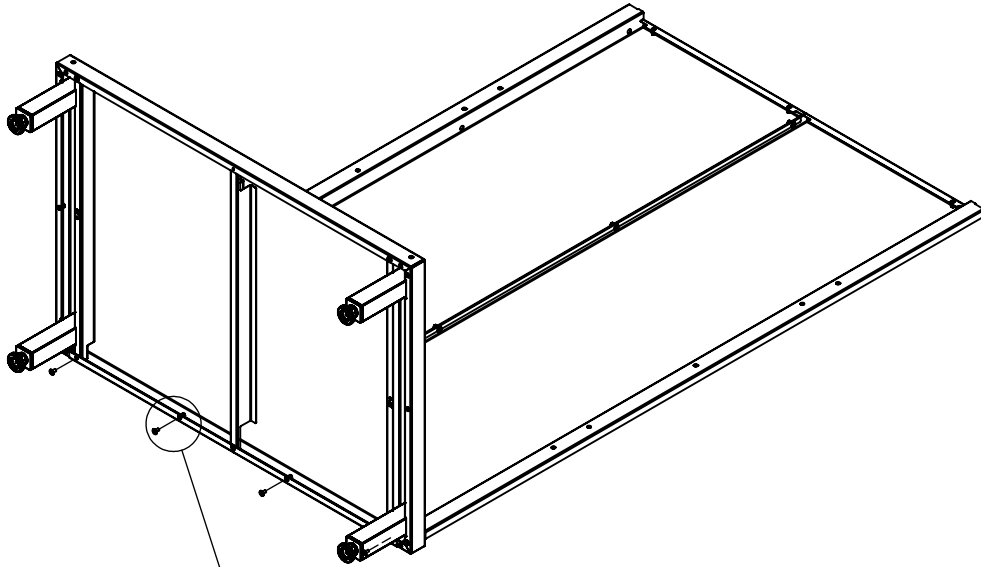
8 x4



6

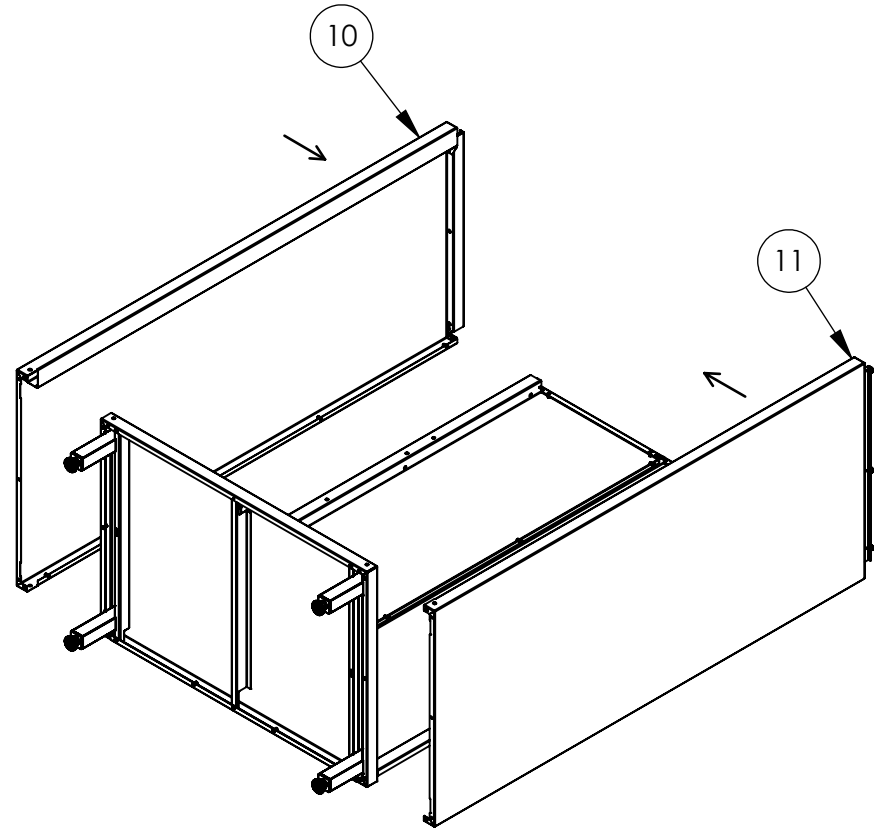


7



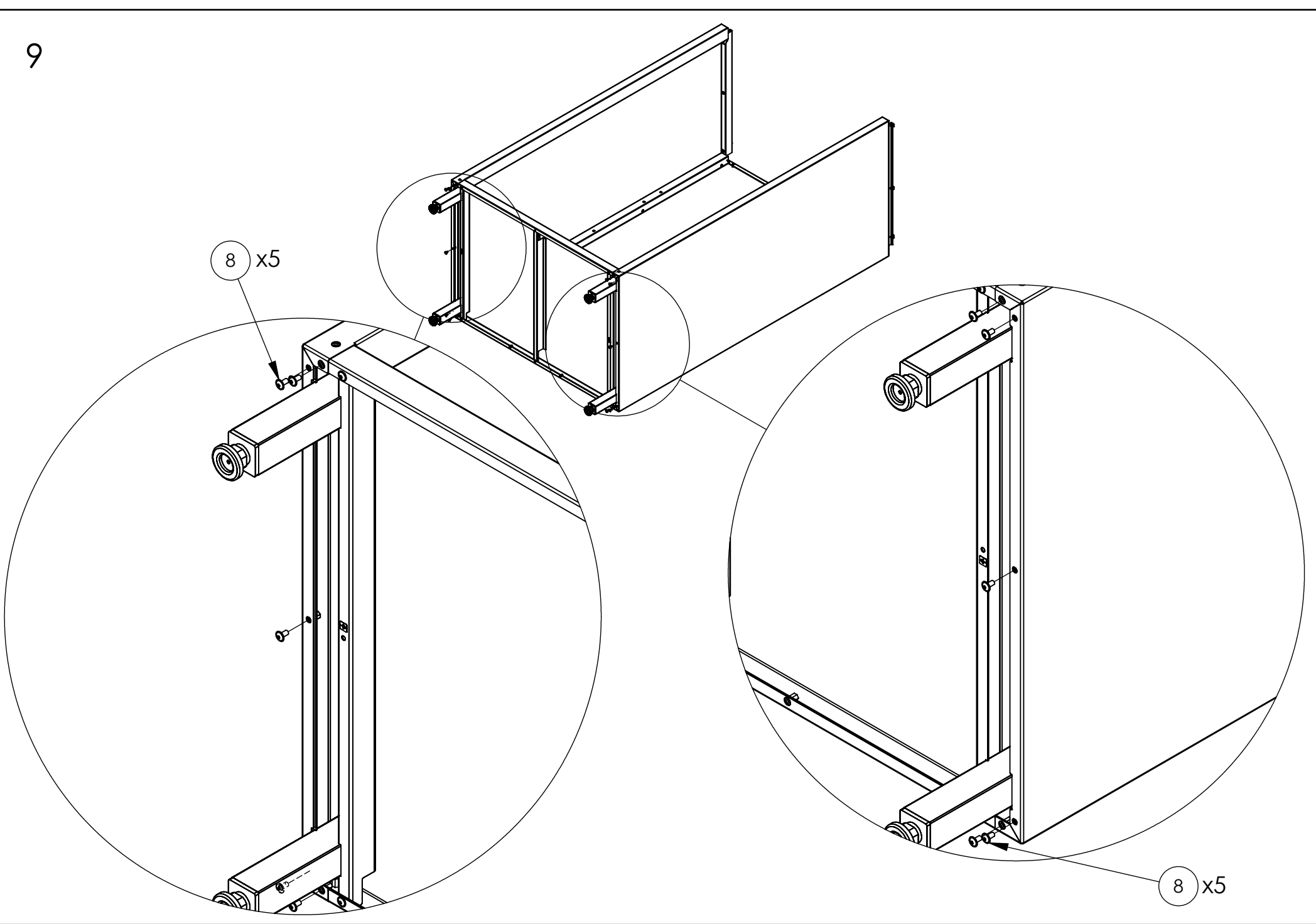
8 x4

8



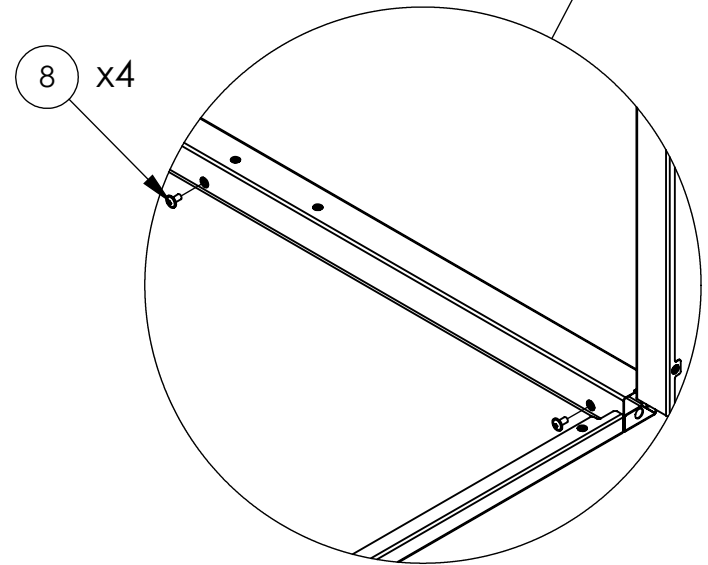
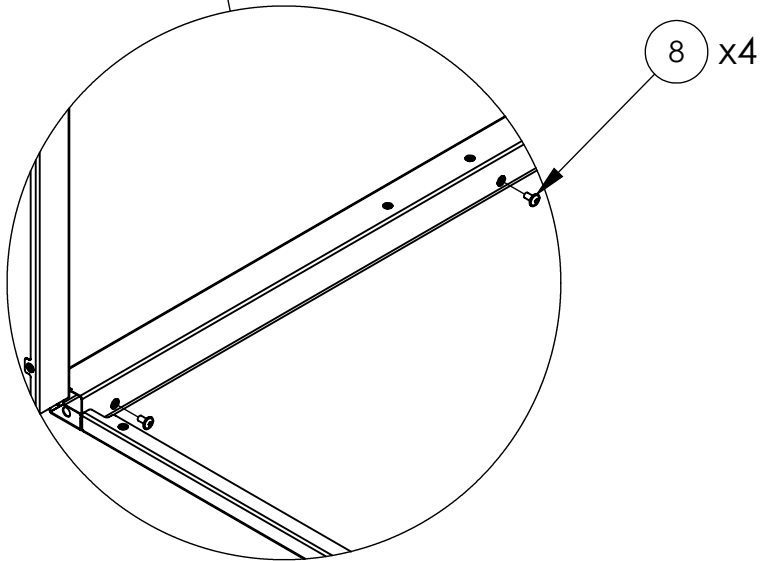
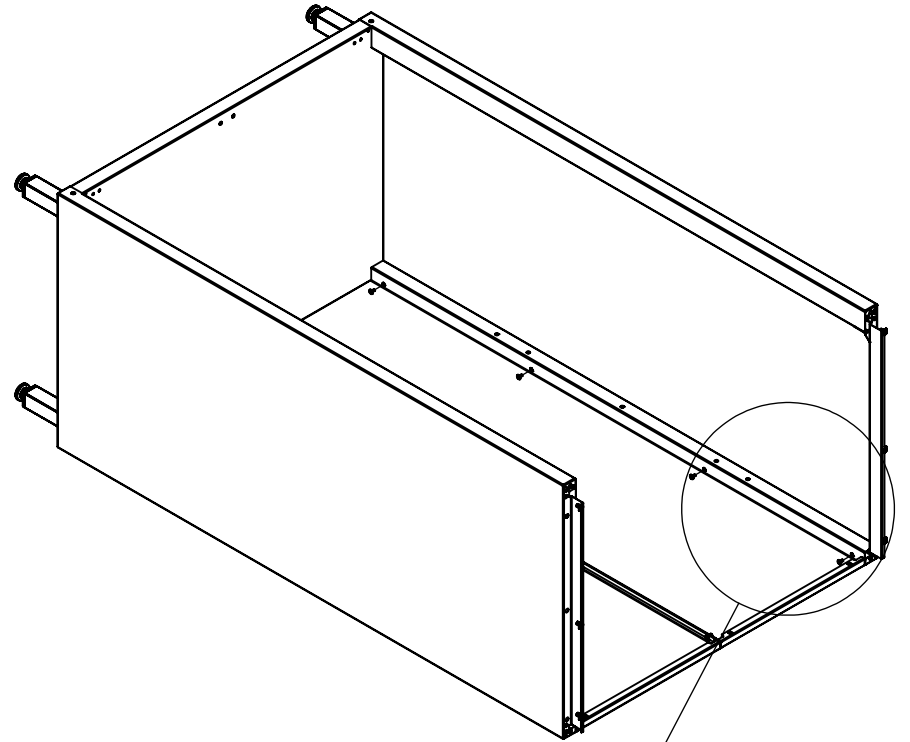
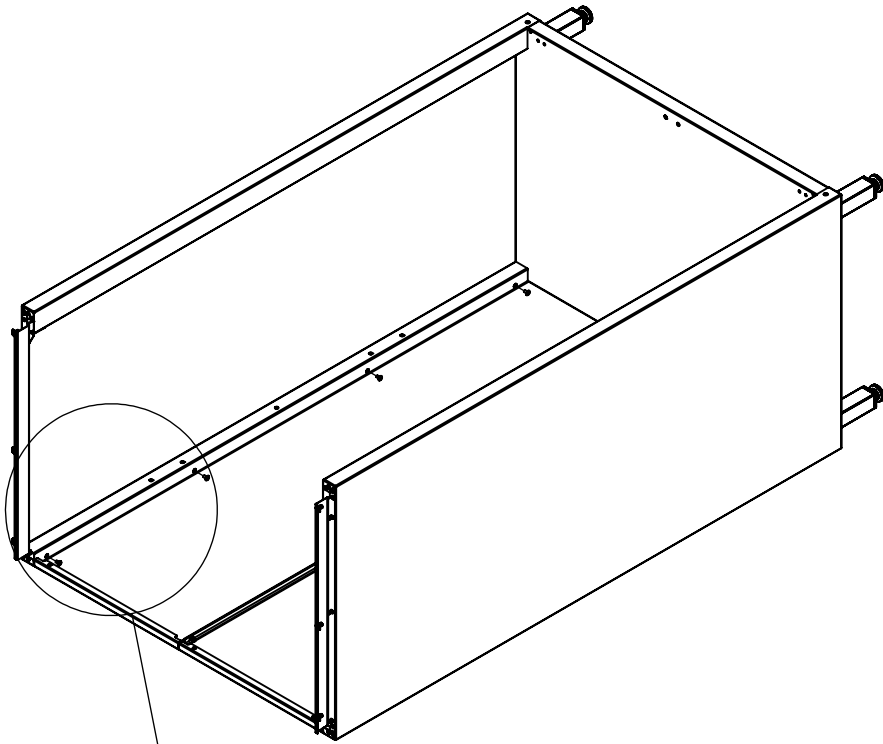
9

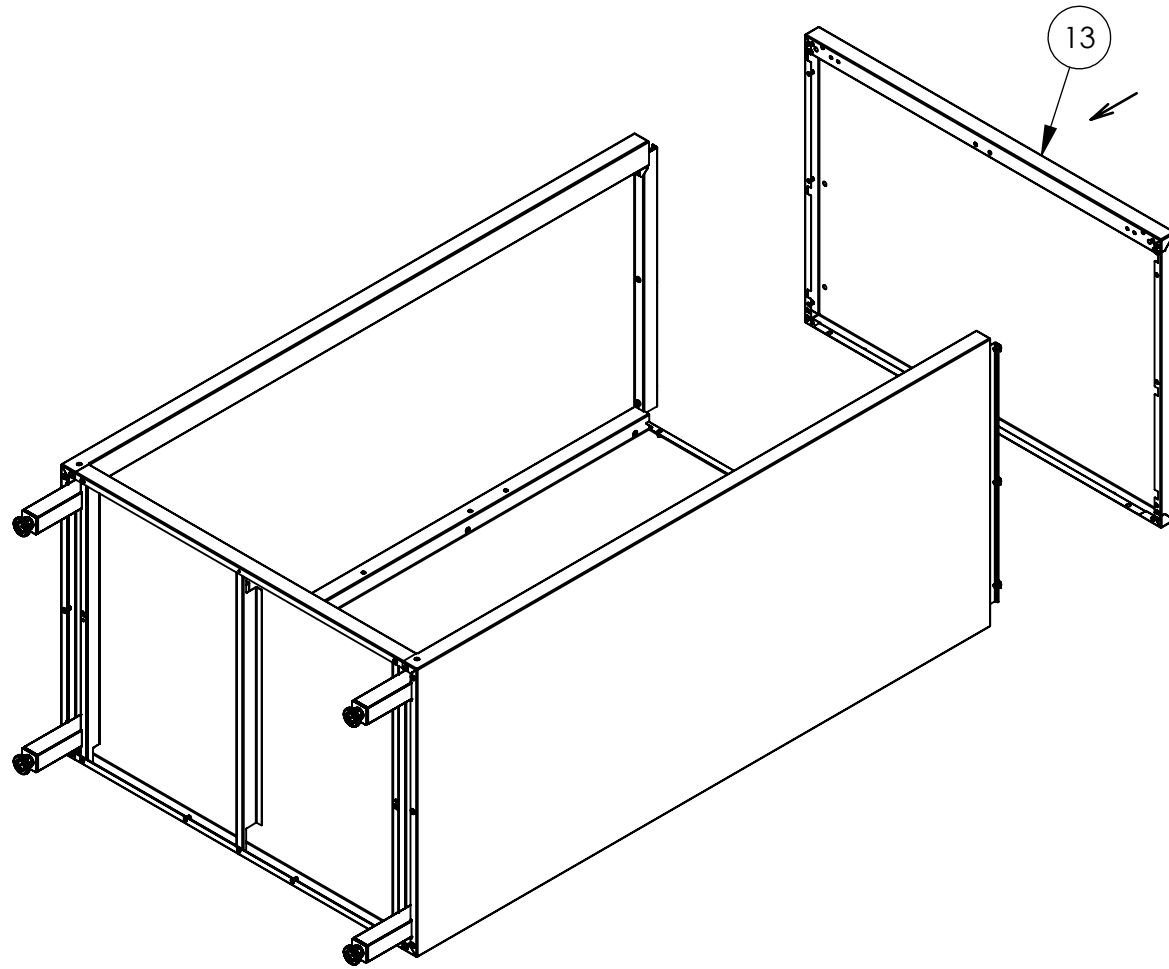
8 x5



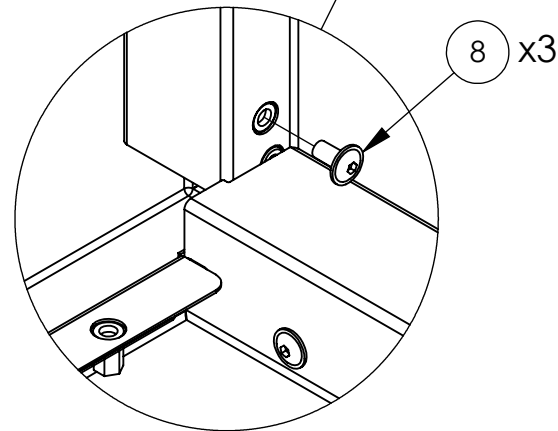
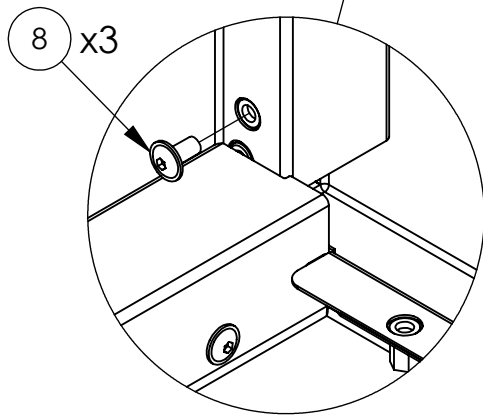
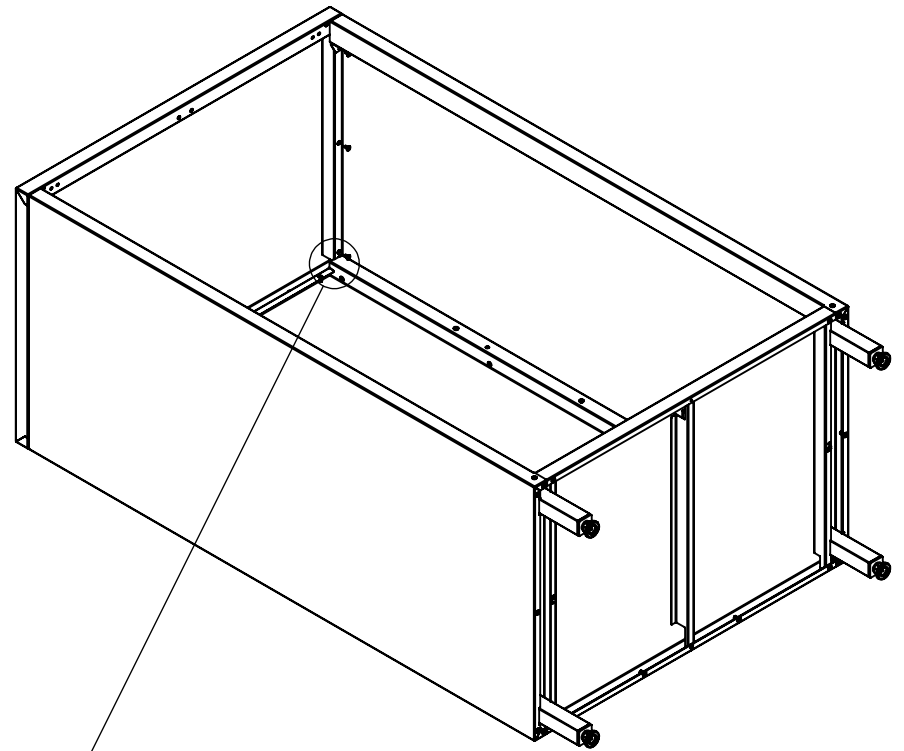
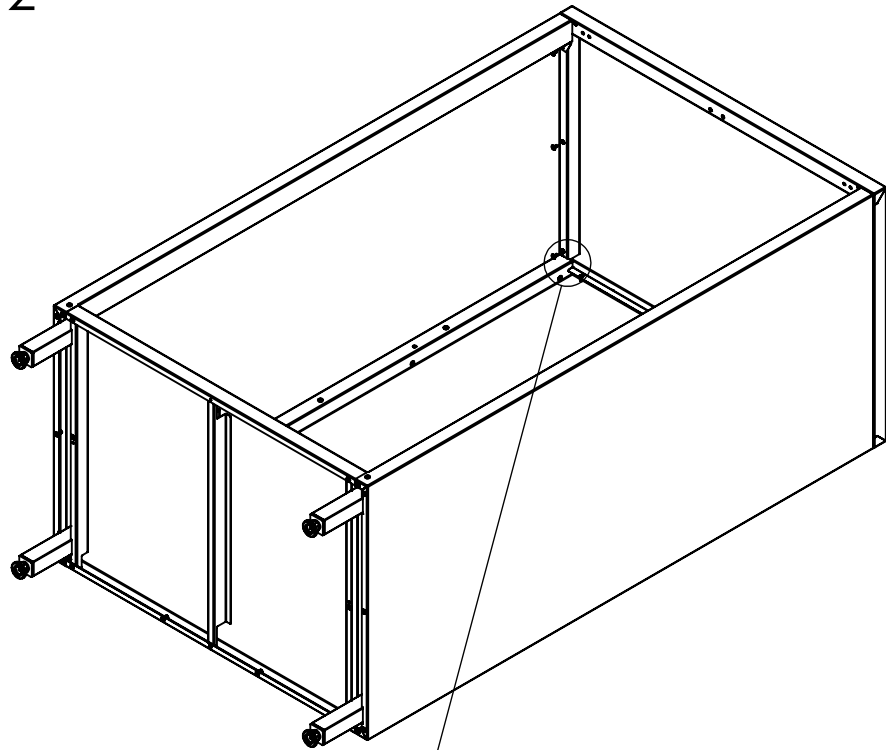
8 x5

10

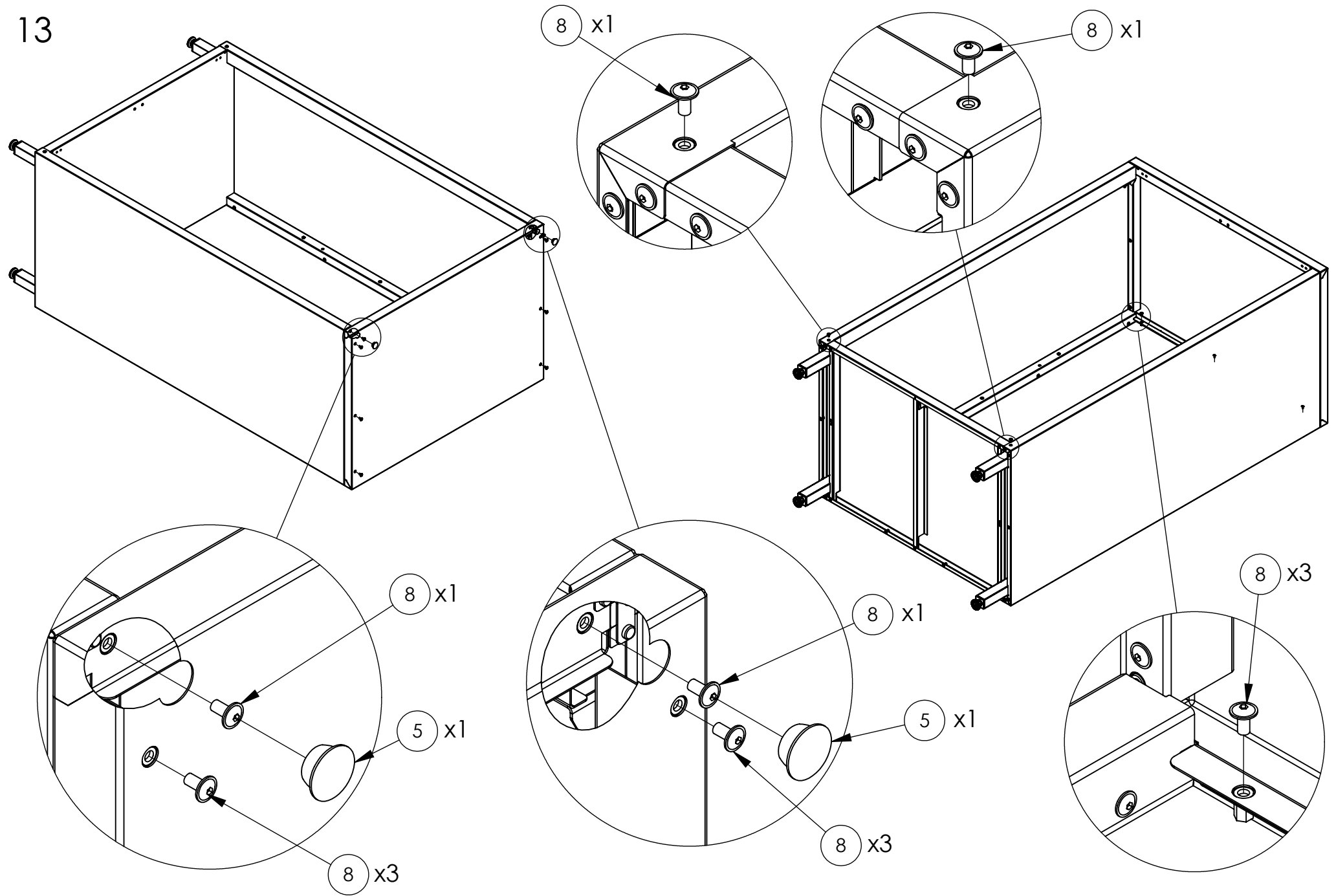




12



13

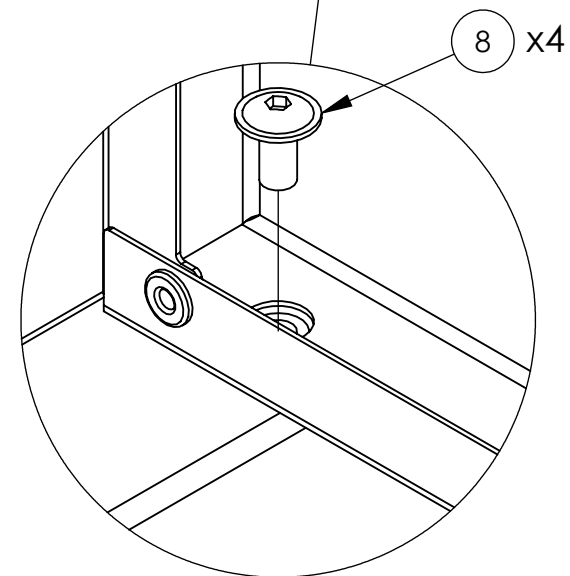
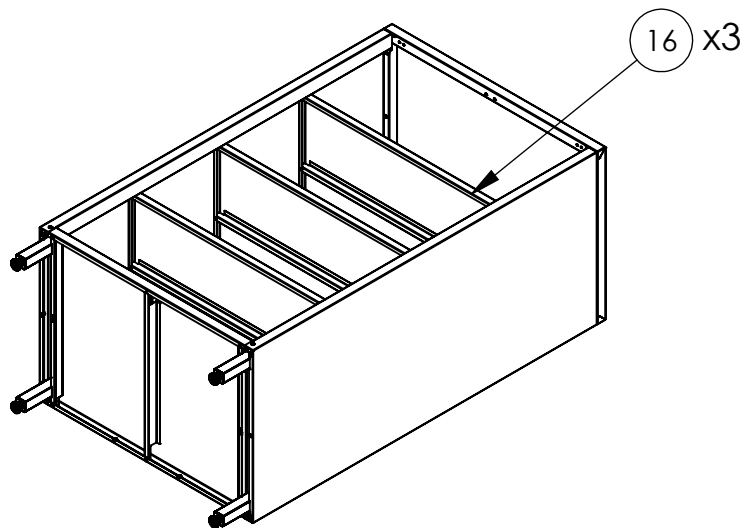
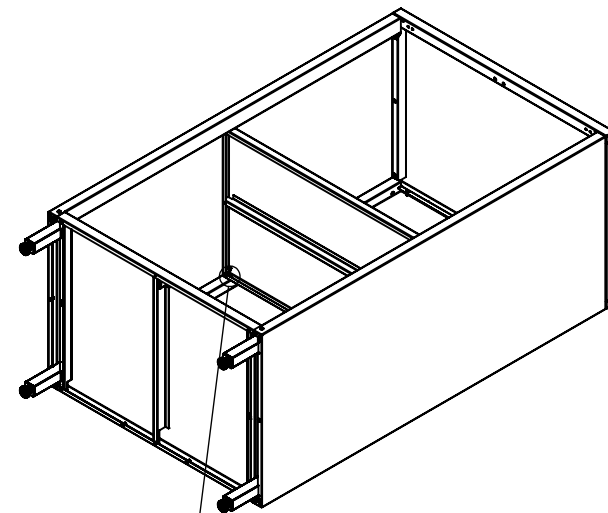
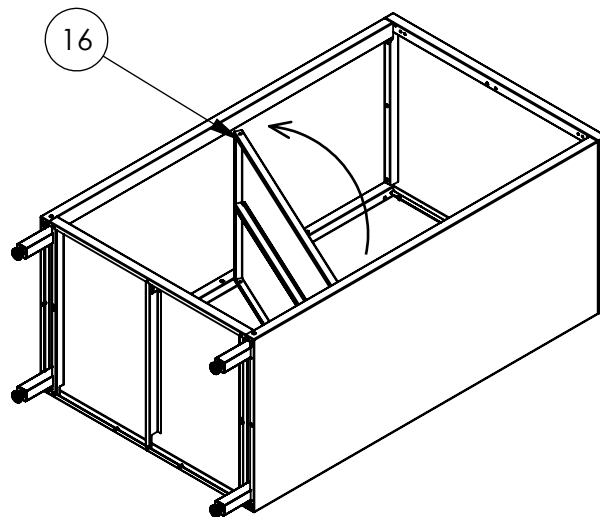
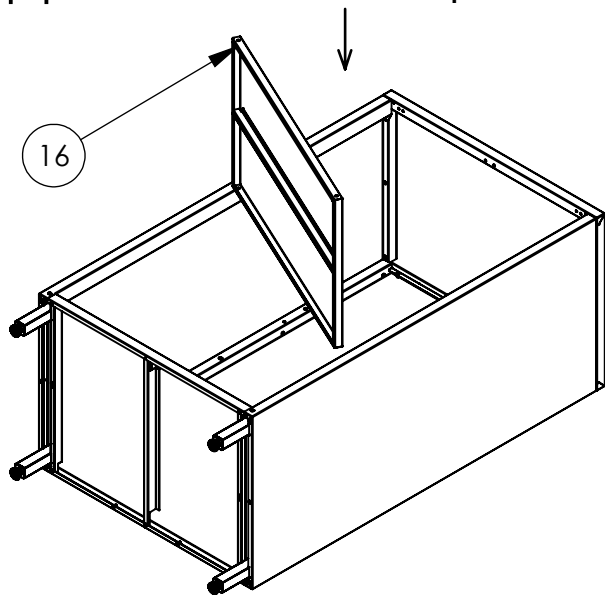


14

1

2

3

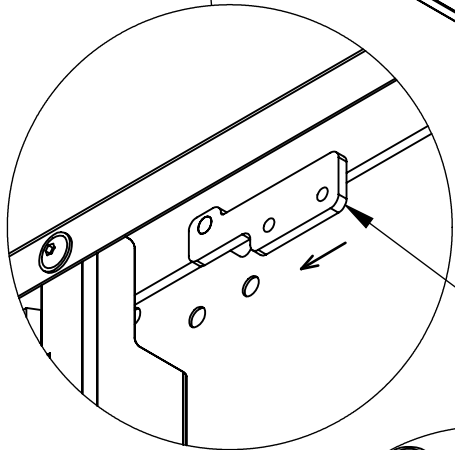


15

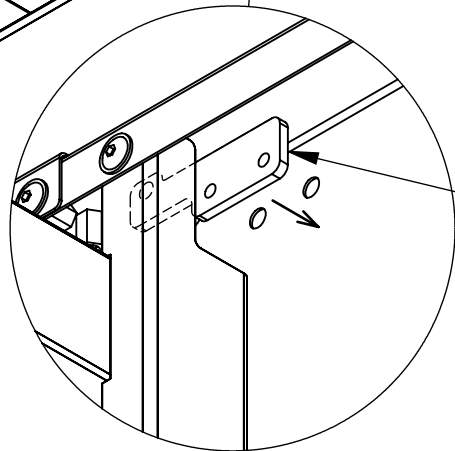
1

2

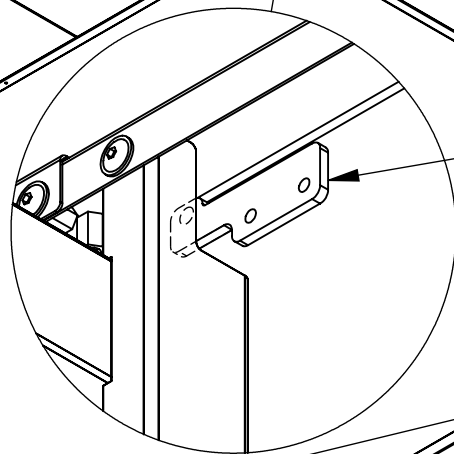
3



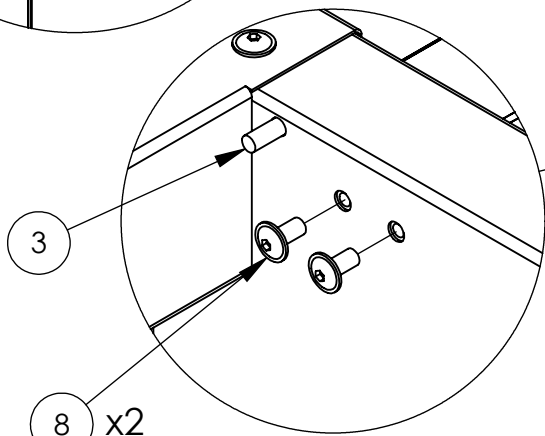
2



2

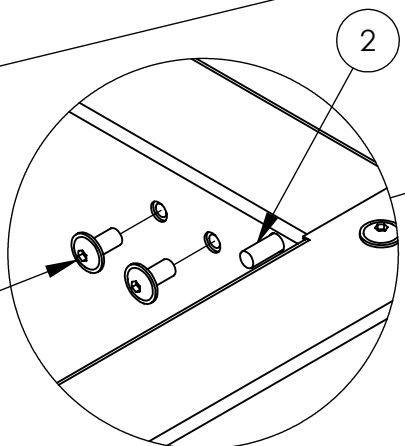


2



3

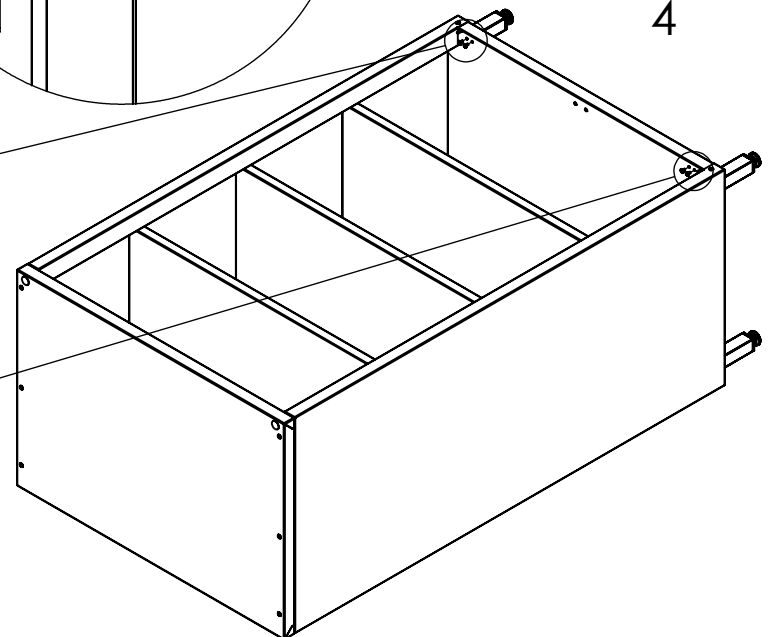
8 x2



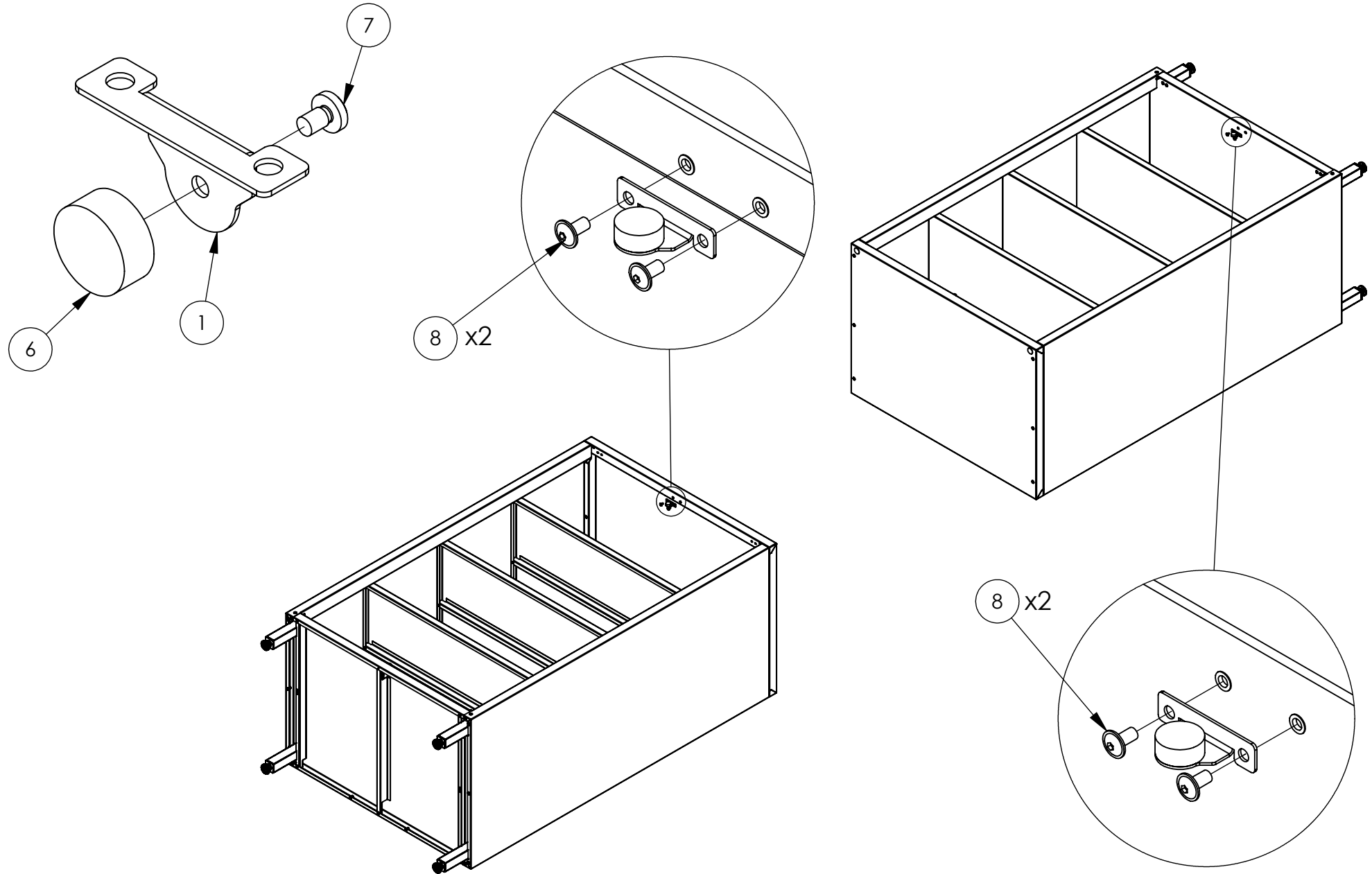
2

8 x2

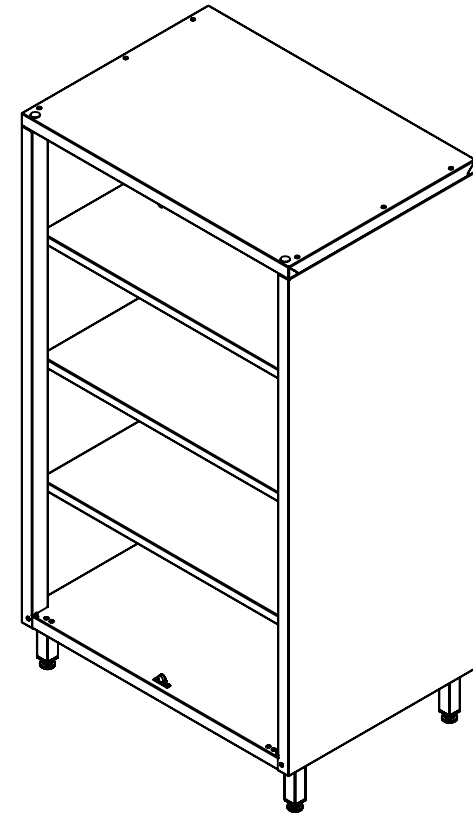
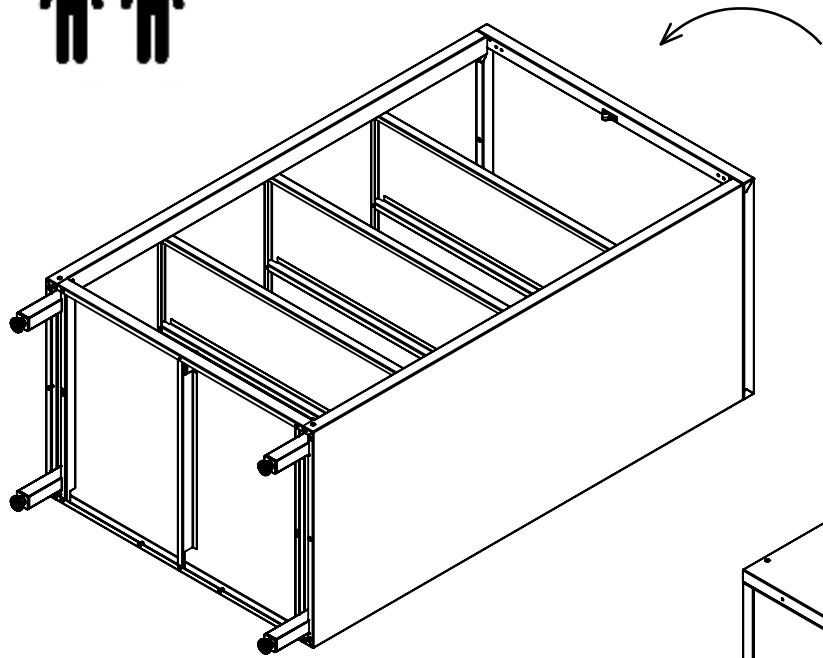
4



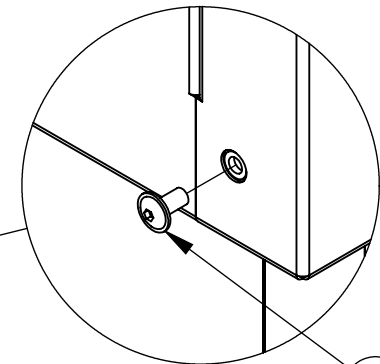
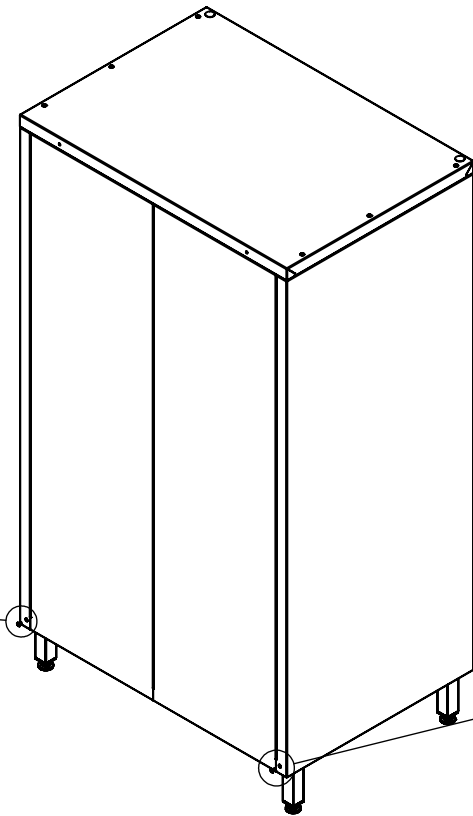
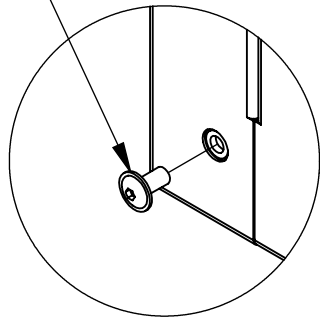
16



17

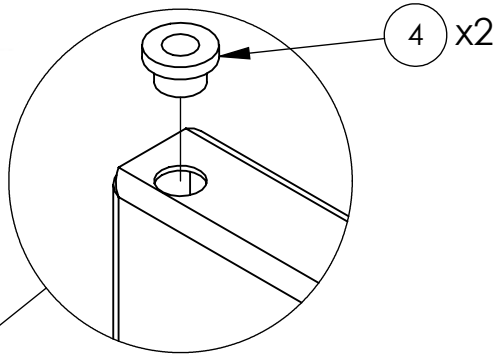


8 x1

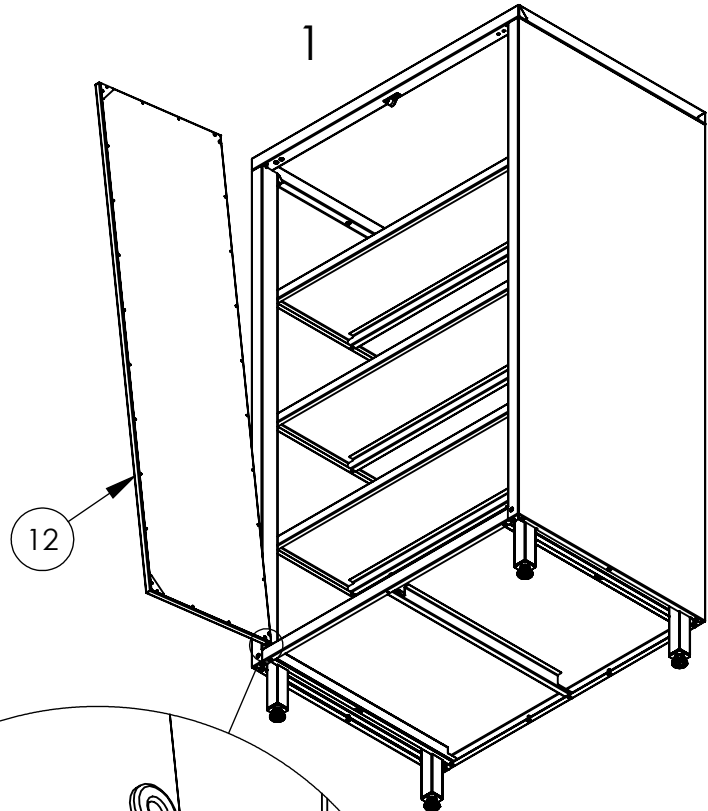
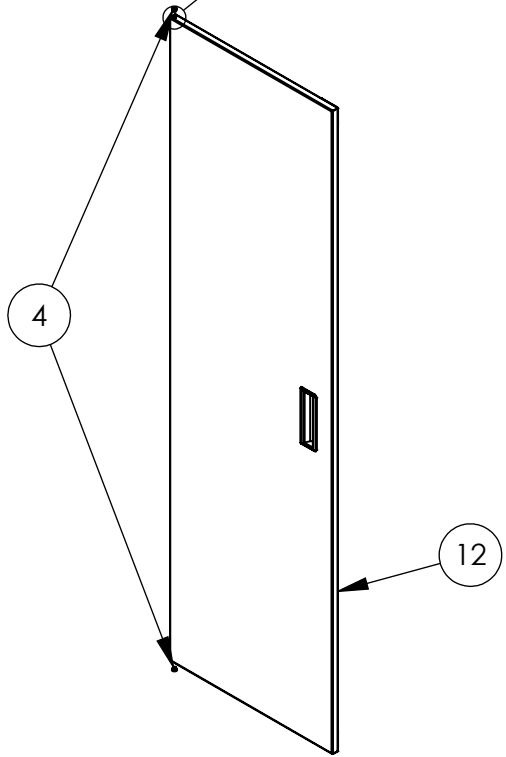


8 x1

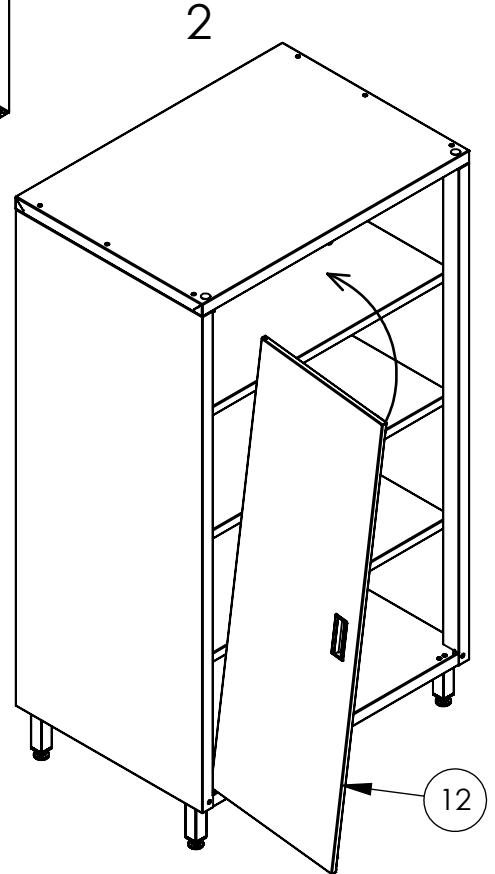
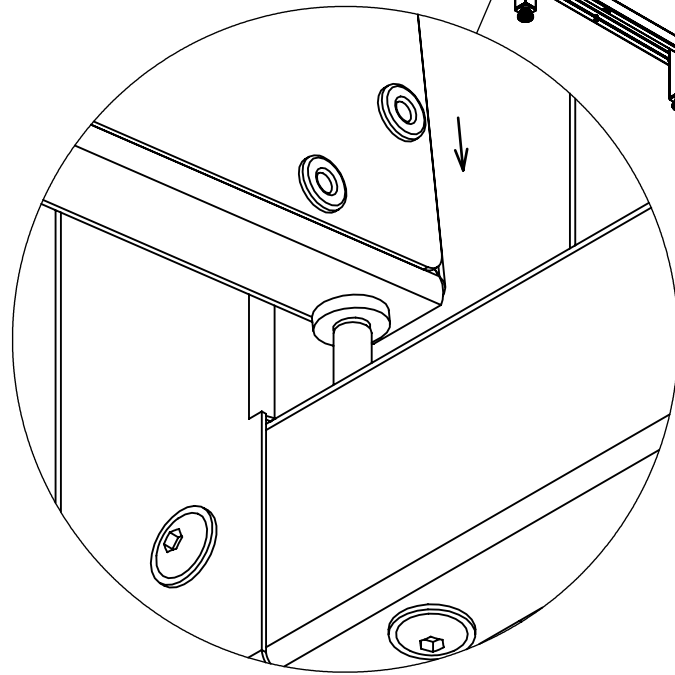
18



4 x2



12

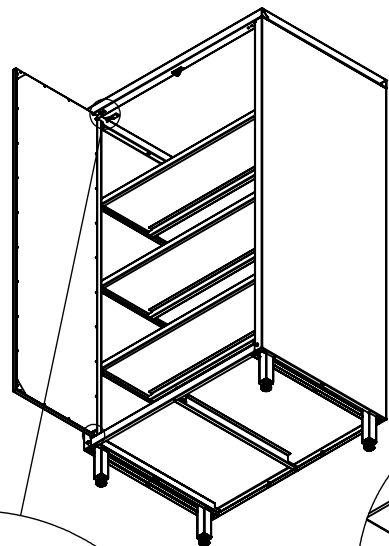


12

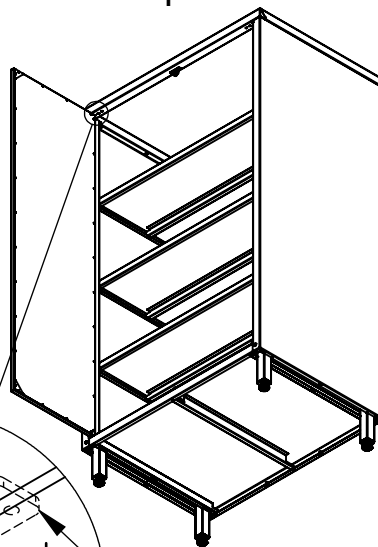
19



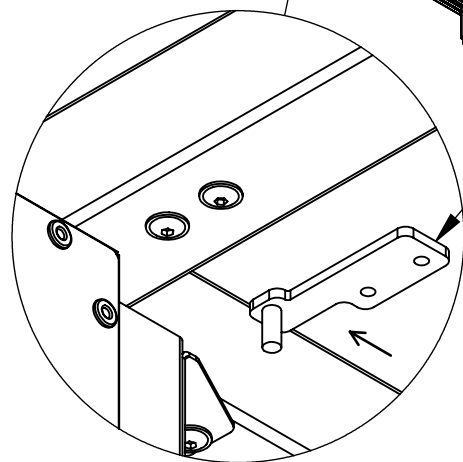
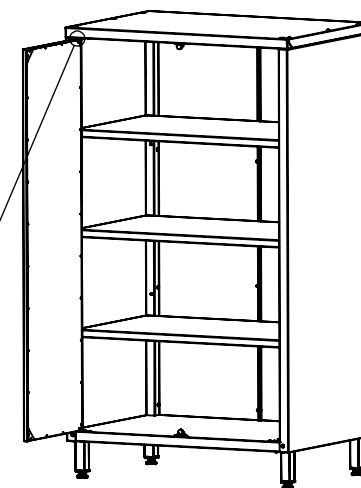
3



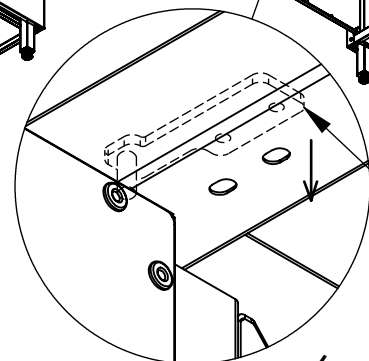
4



5

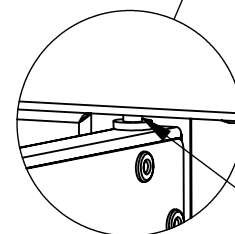


3



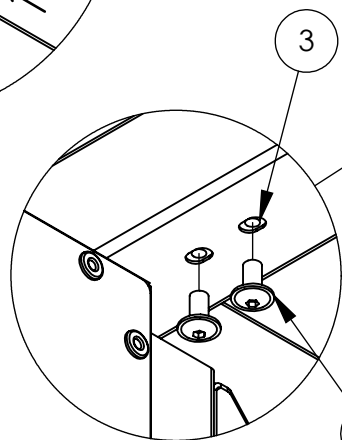
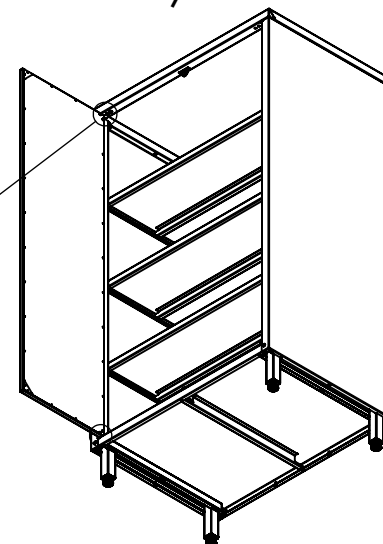
3

6



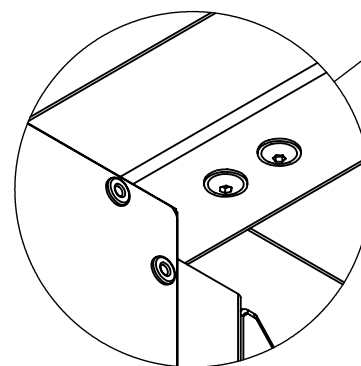
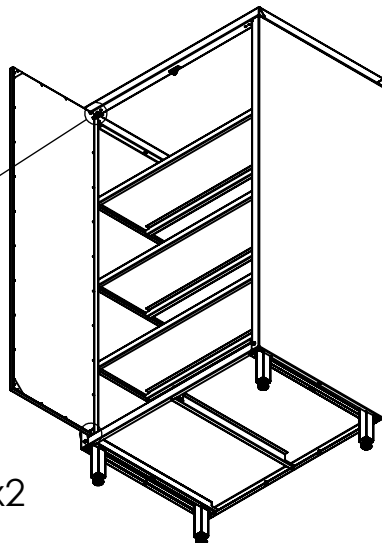
3

7

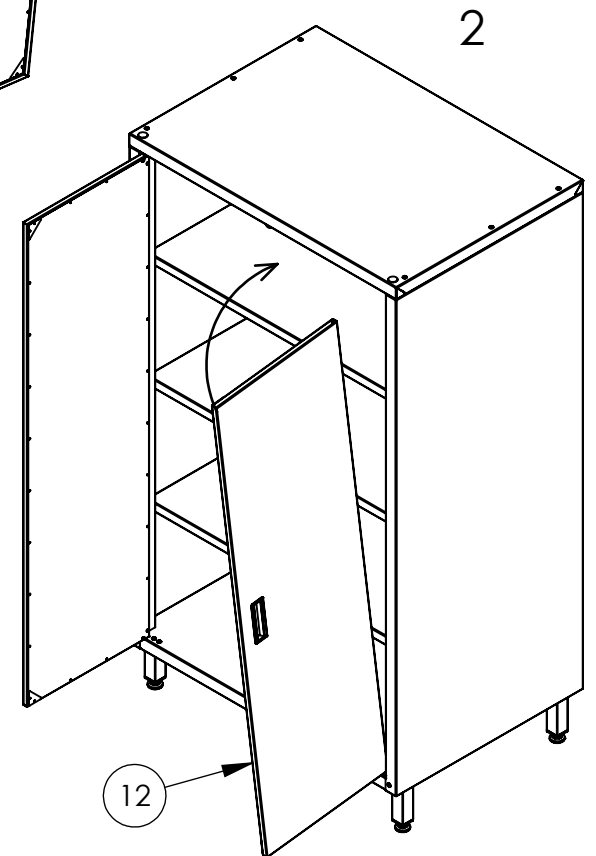
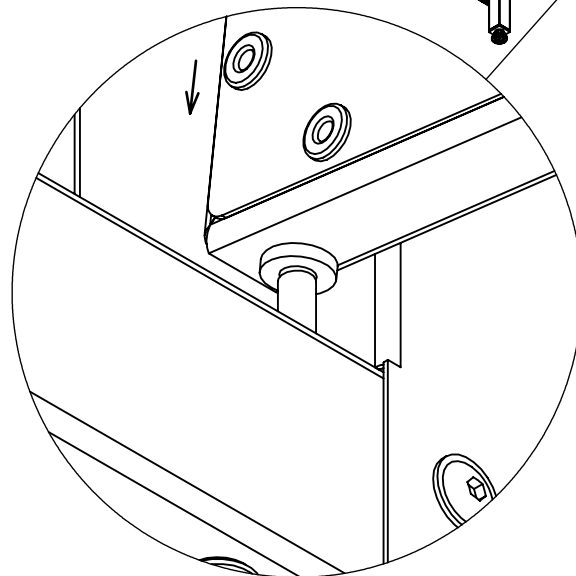
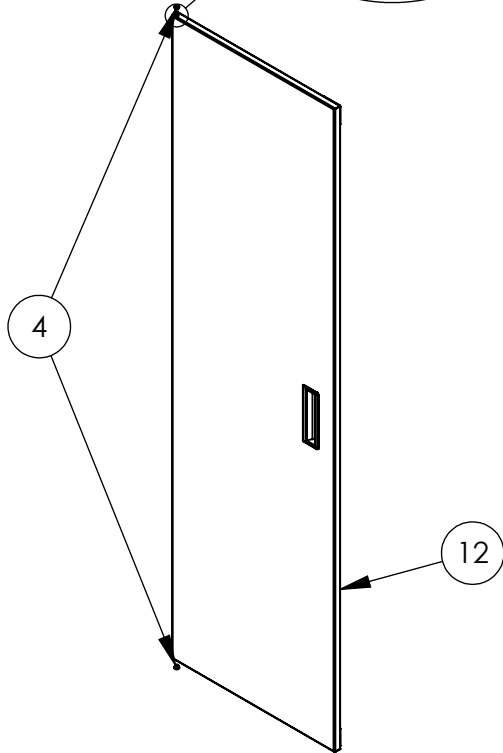
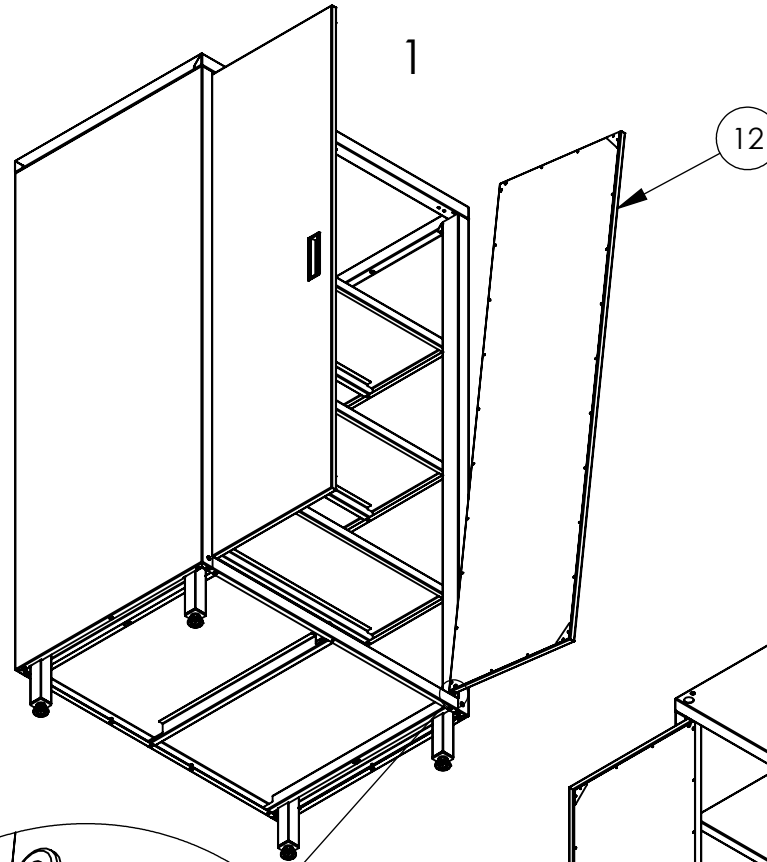
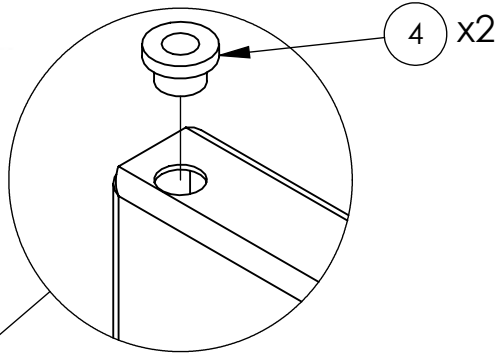


3

8 x2



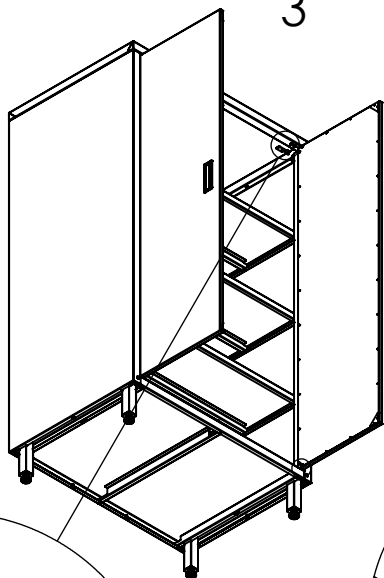
20



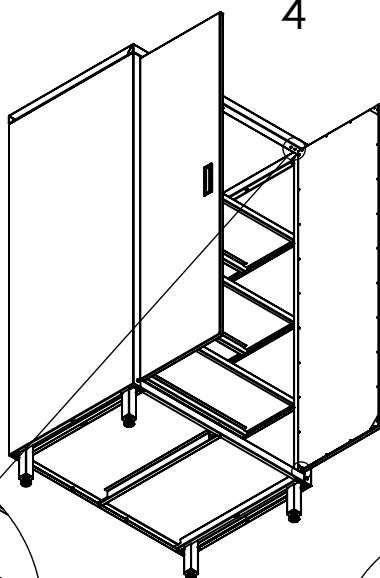
21



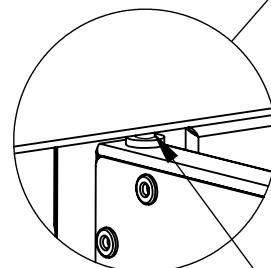
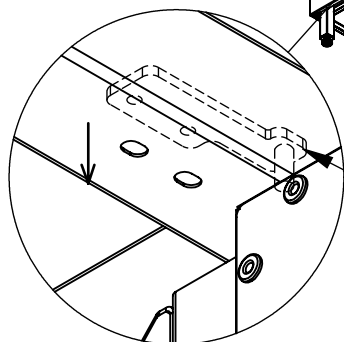
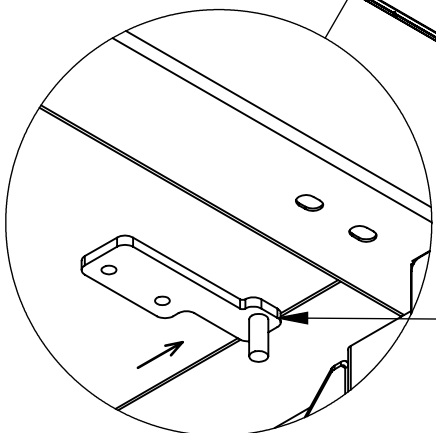
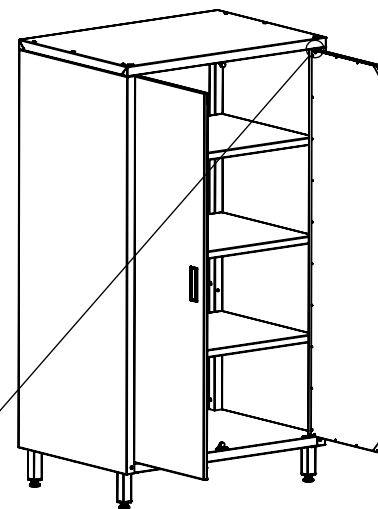
3



4



5

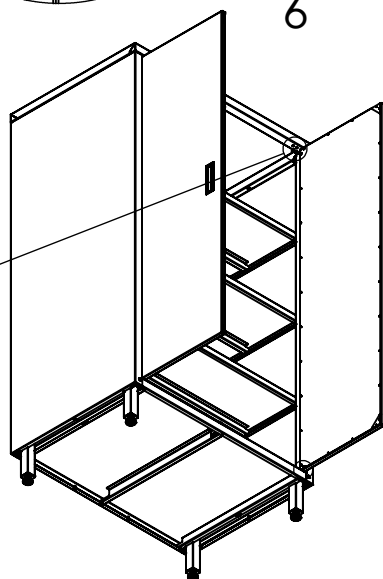


2

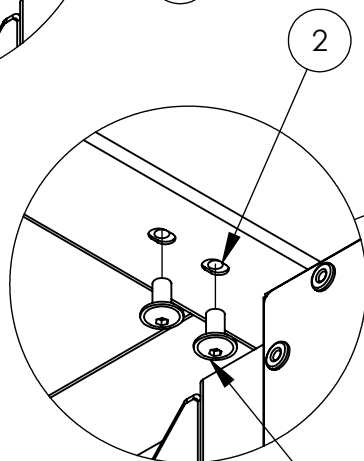
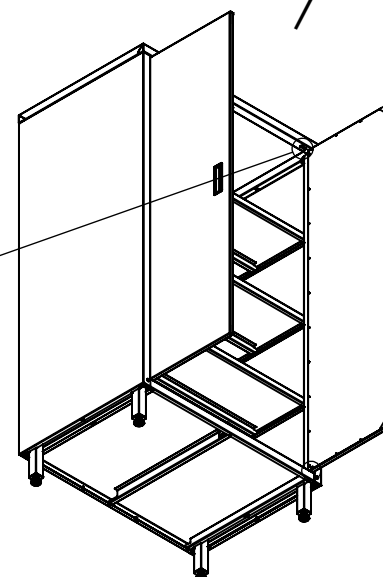
2

2

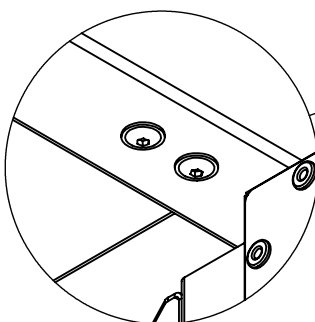
6



7



2



8 x2

22

