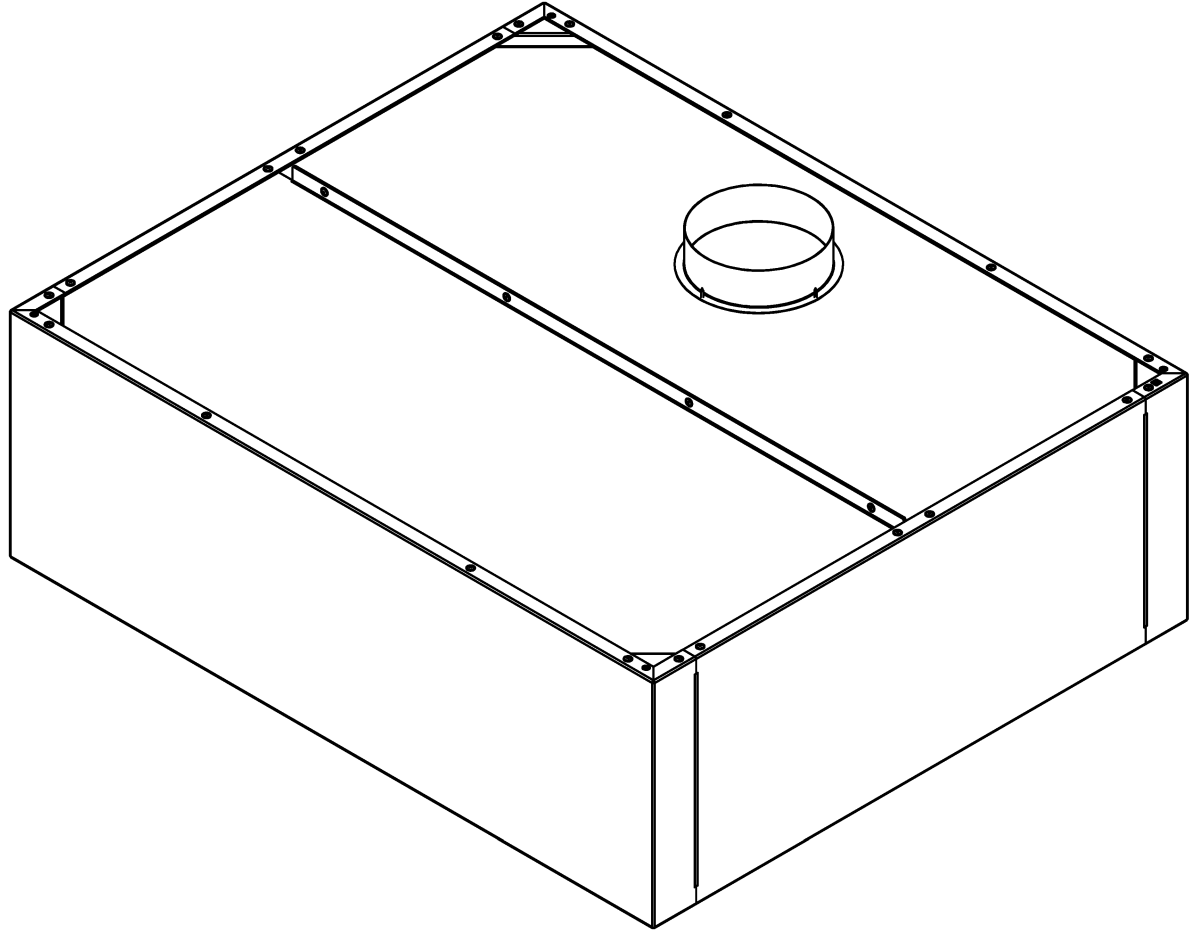
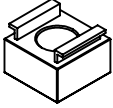
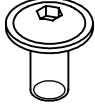

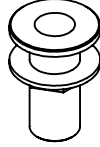
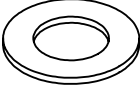
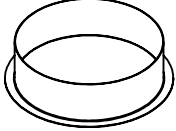

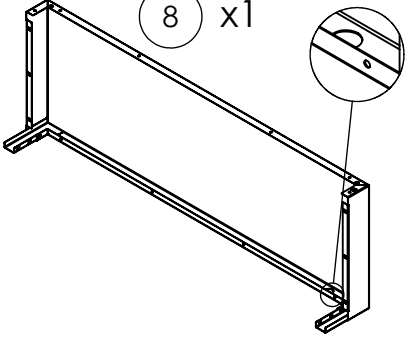
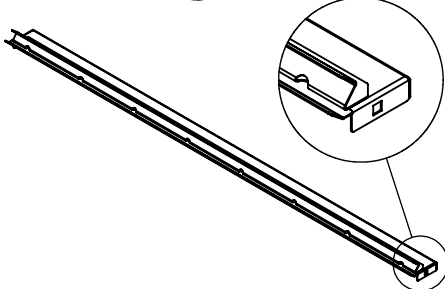
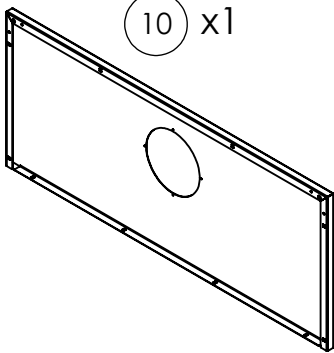
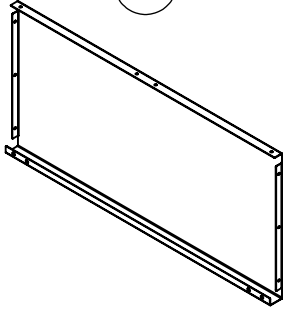
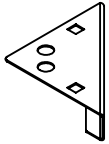
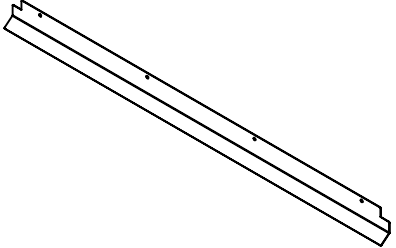
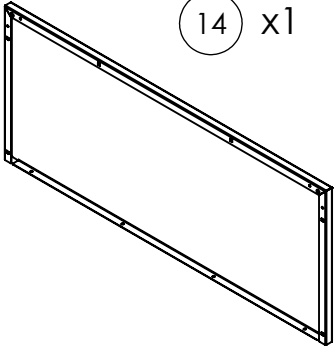
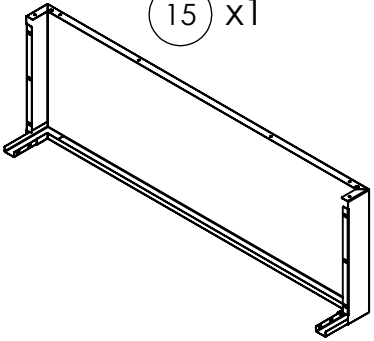
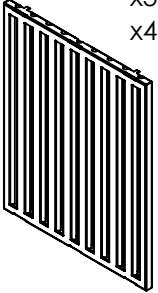


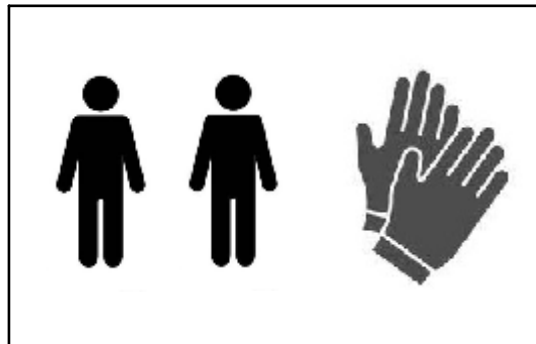
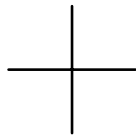
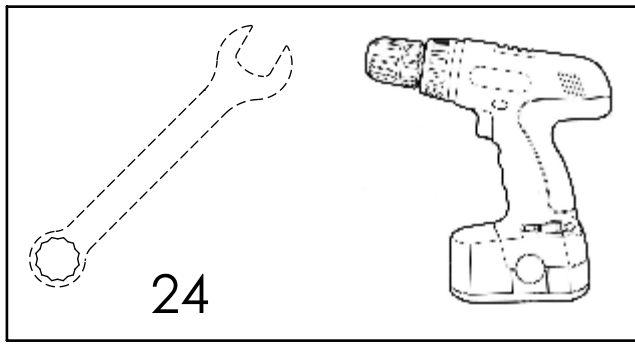
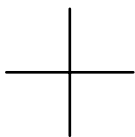
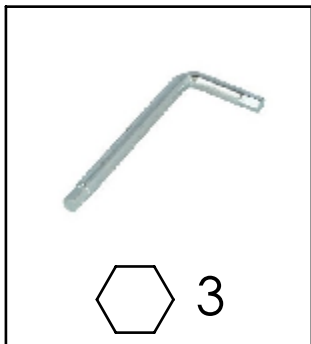


Montageanleitung

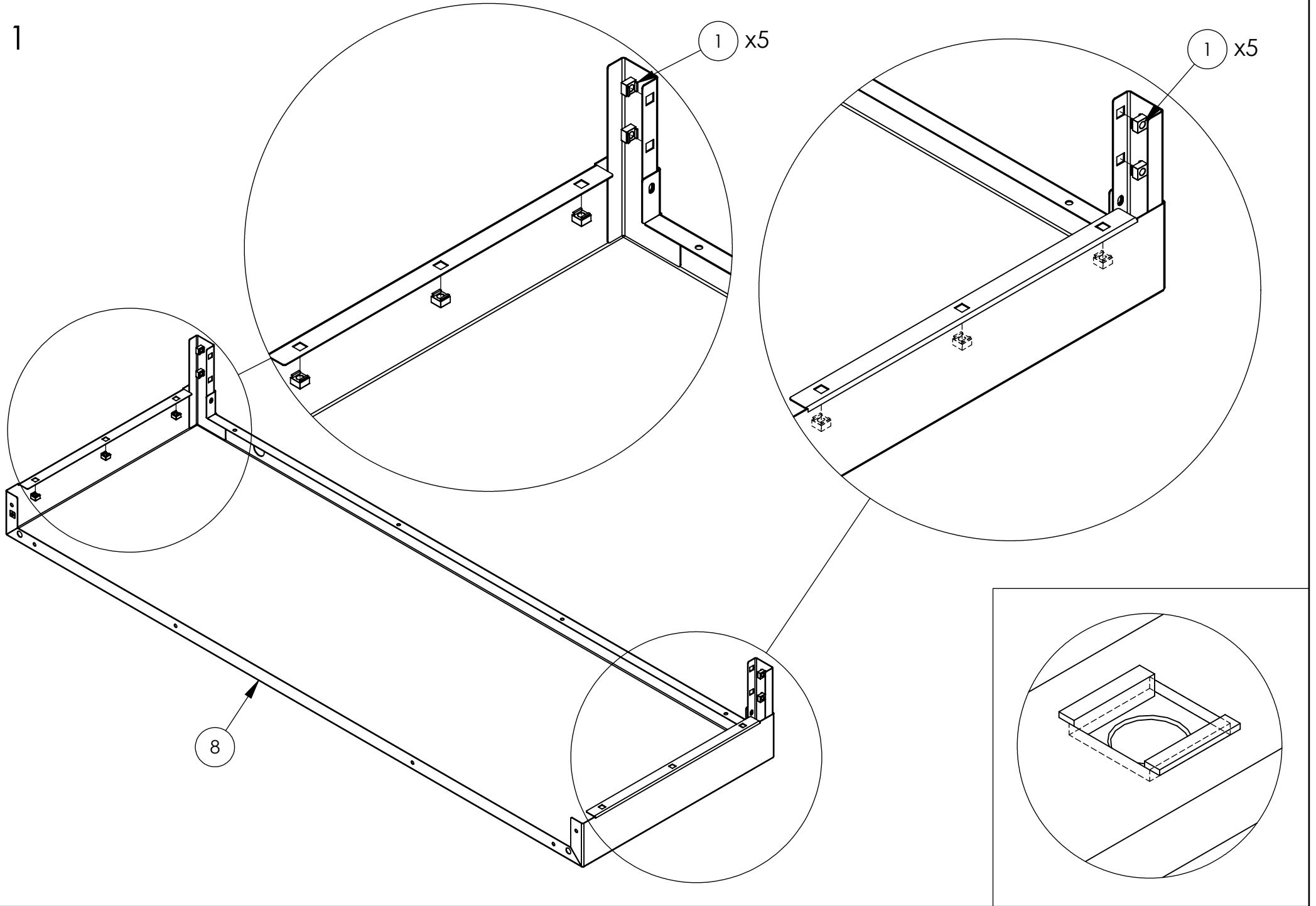
**Wandhaube mit Bundkragen und
Flammschutzfilter Typ B, Kastenform
Serie ECO**



<p>1 x50 ≤1205 x54 =1505 x58 >1505</p> 	<p>2 x50 ≤1205 x54 =1505 x58 >1505</p> 	<p>3 x4 ≤1505 x6 >1505</p> 	<p>4 x1</p> 	<p>5 x1</p> 	<p>6 x1</p> 	<p>7 x1</p> 
<p>8 x1</p> 	<p>9 x1</p> 	<p>10 x1</p> 	<p>11 x2</p> 			
<p>12 x4</p> 	<p>13 x1</p> 	<p>14 x1</p> 	<p>15 x1</p> 	<p>16 x2 500x500 =1005 x3 400x500 =1205 x3 500x500 =1505 x4 500x500 =2005</p> 		



1

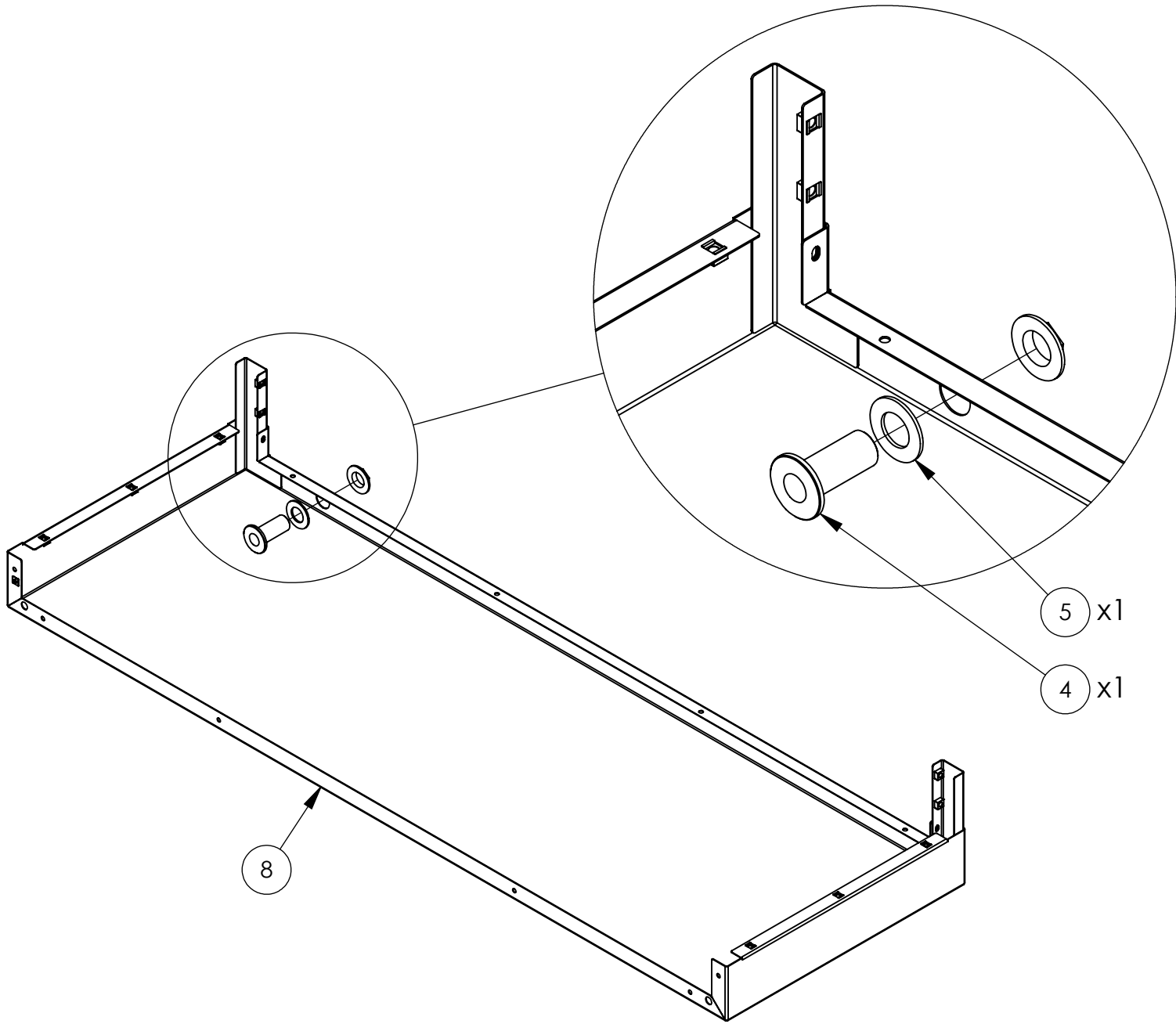
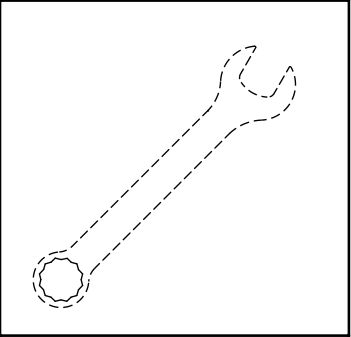


1 x5

1 x5

8

2



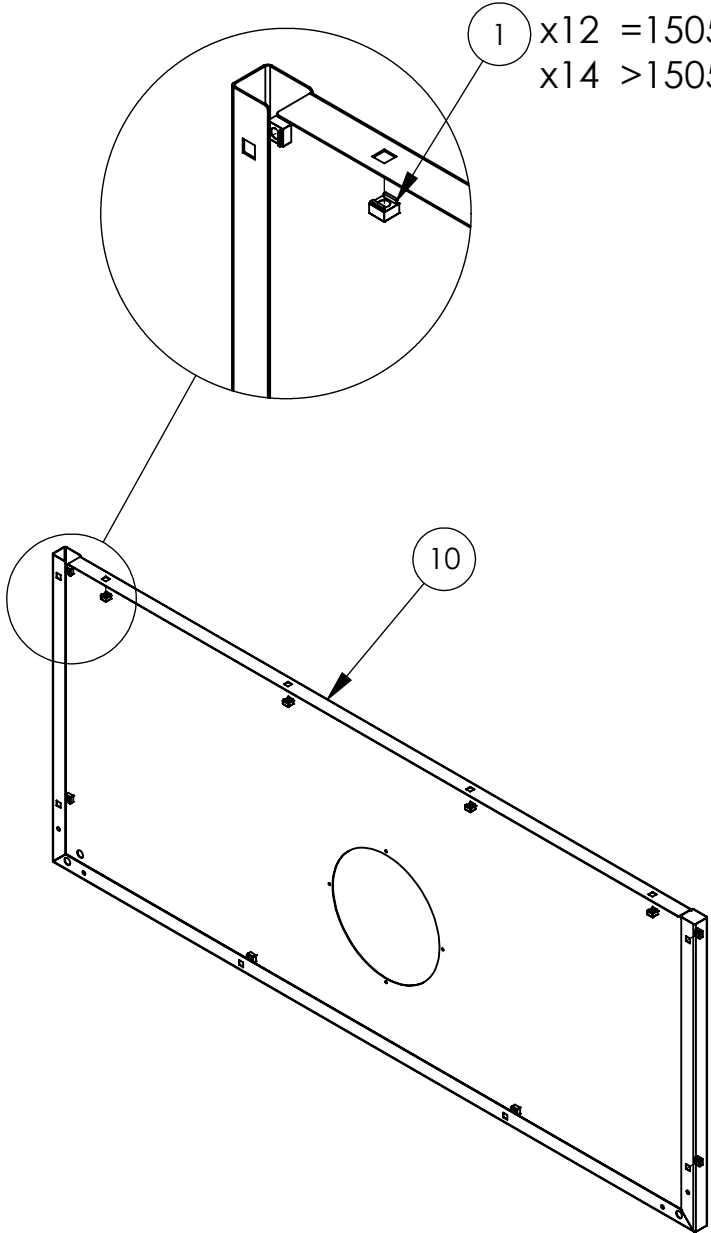
5 x1

4 x1

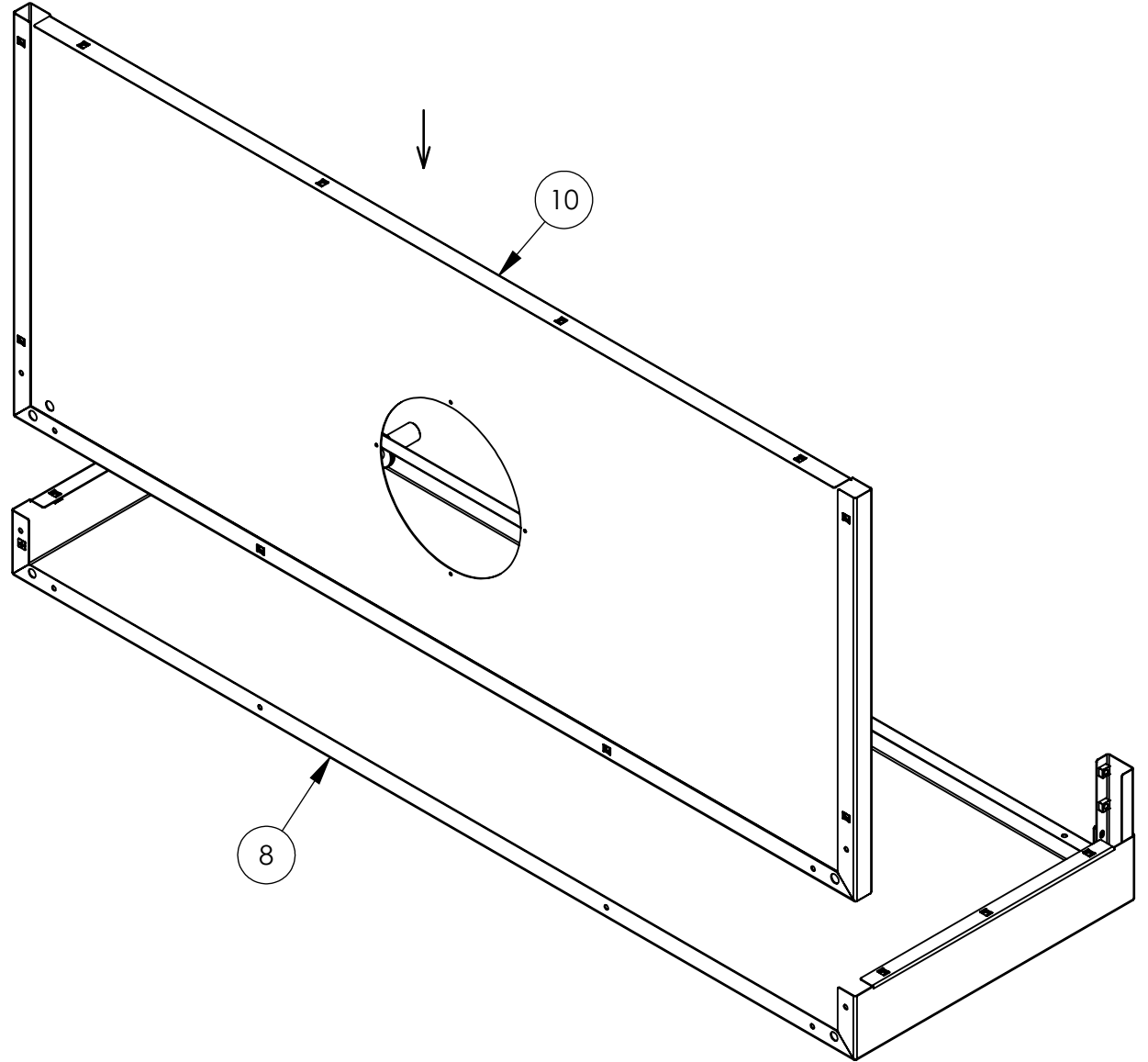
8

3

x10 ≤1205
x12 =1505
x14 >1505

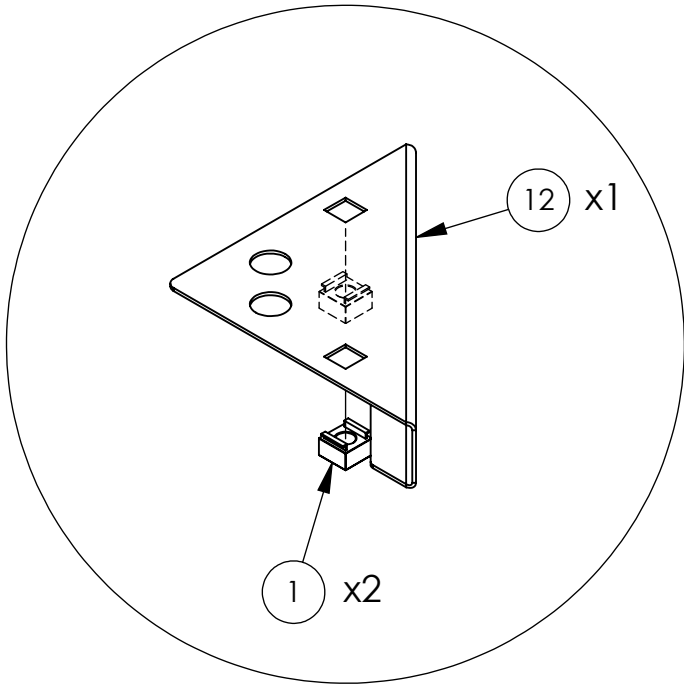


4

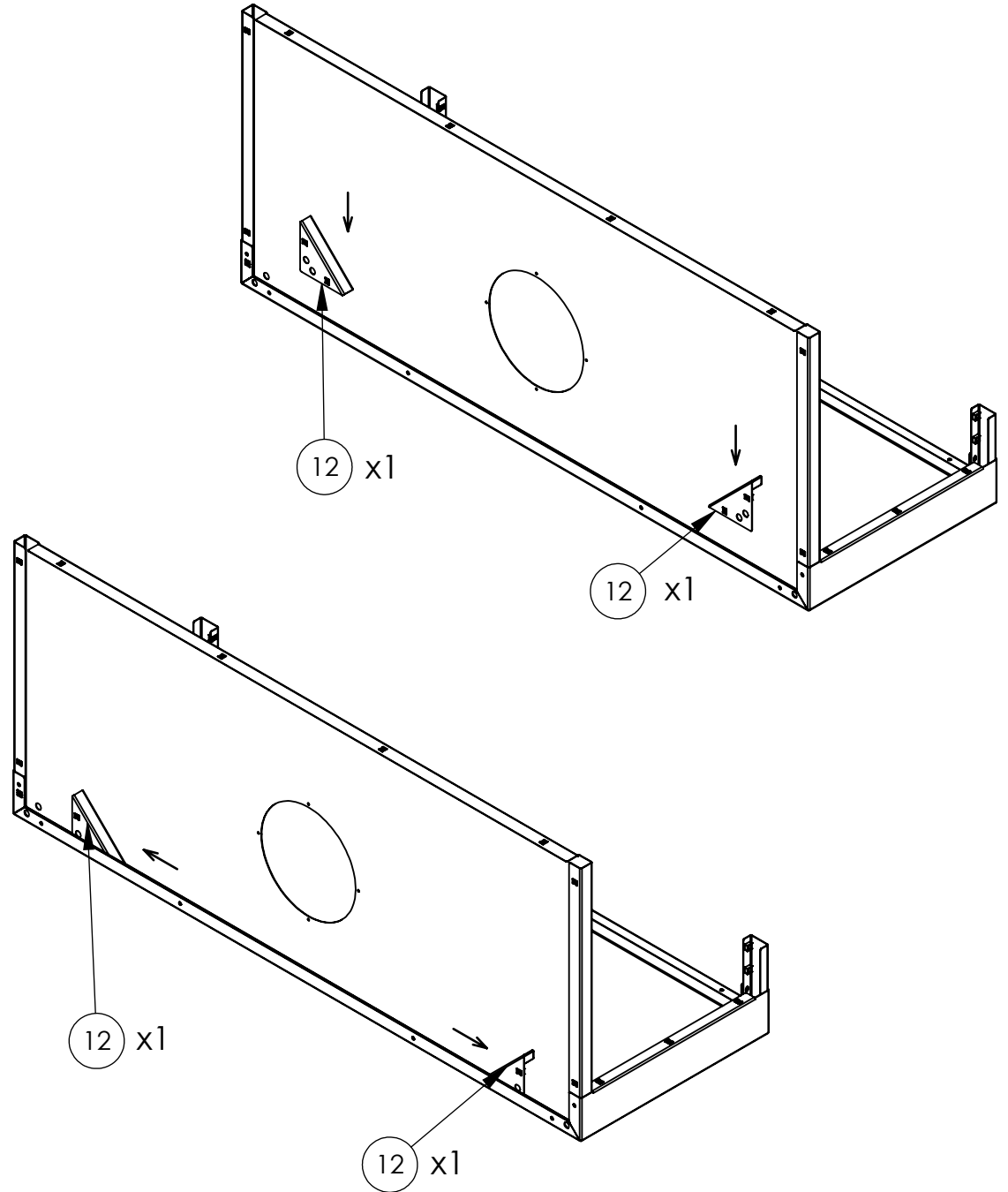


5

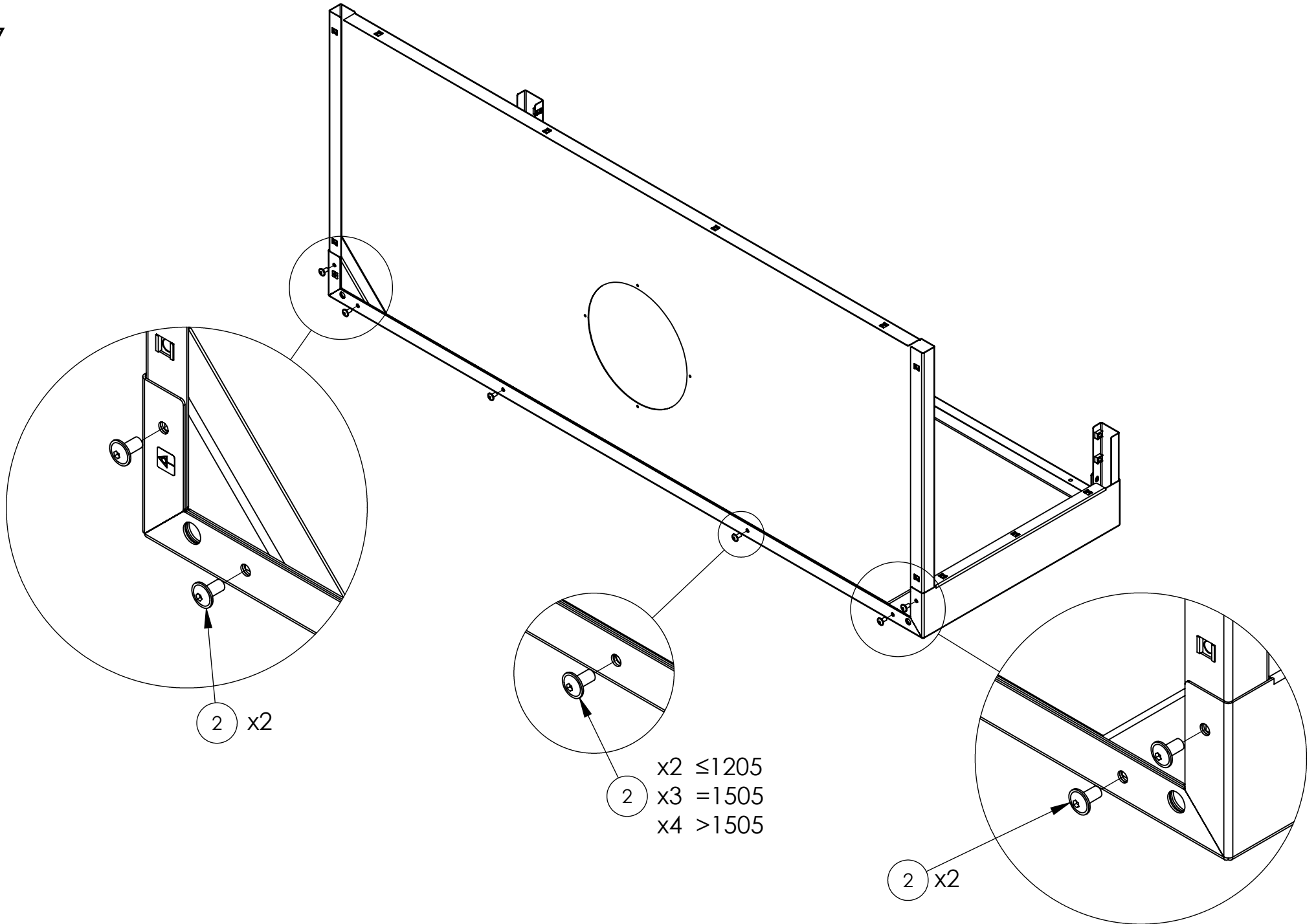
x4



6



7

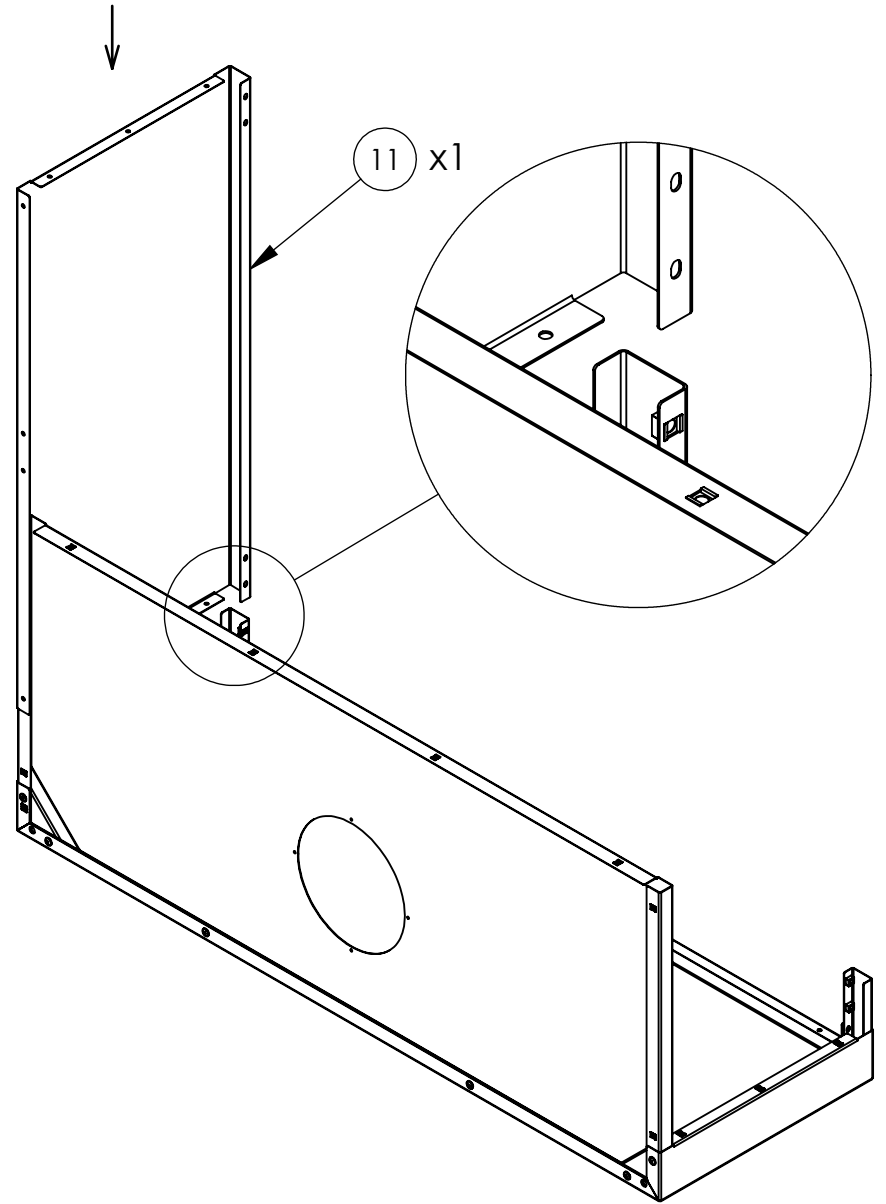
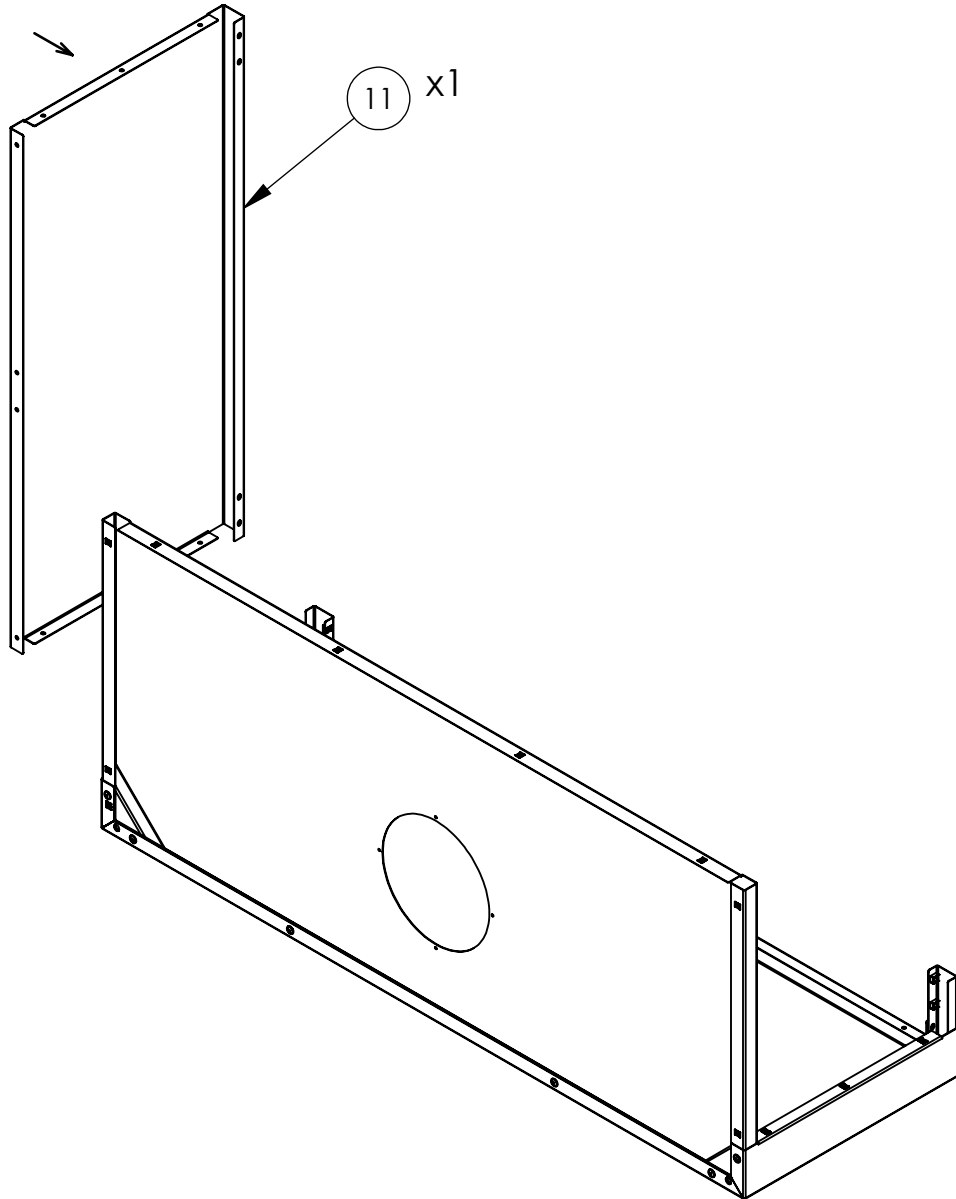


2 x2

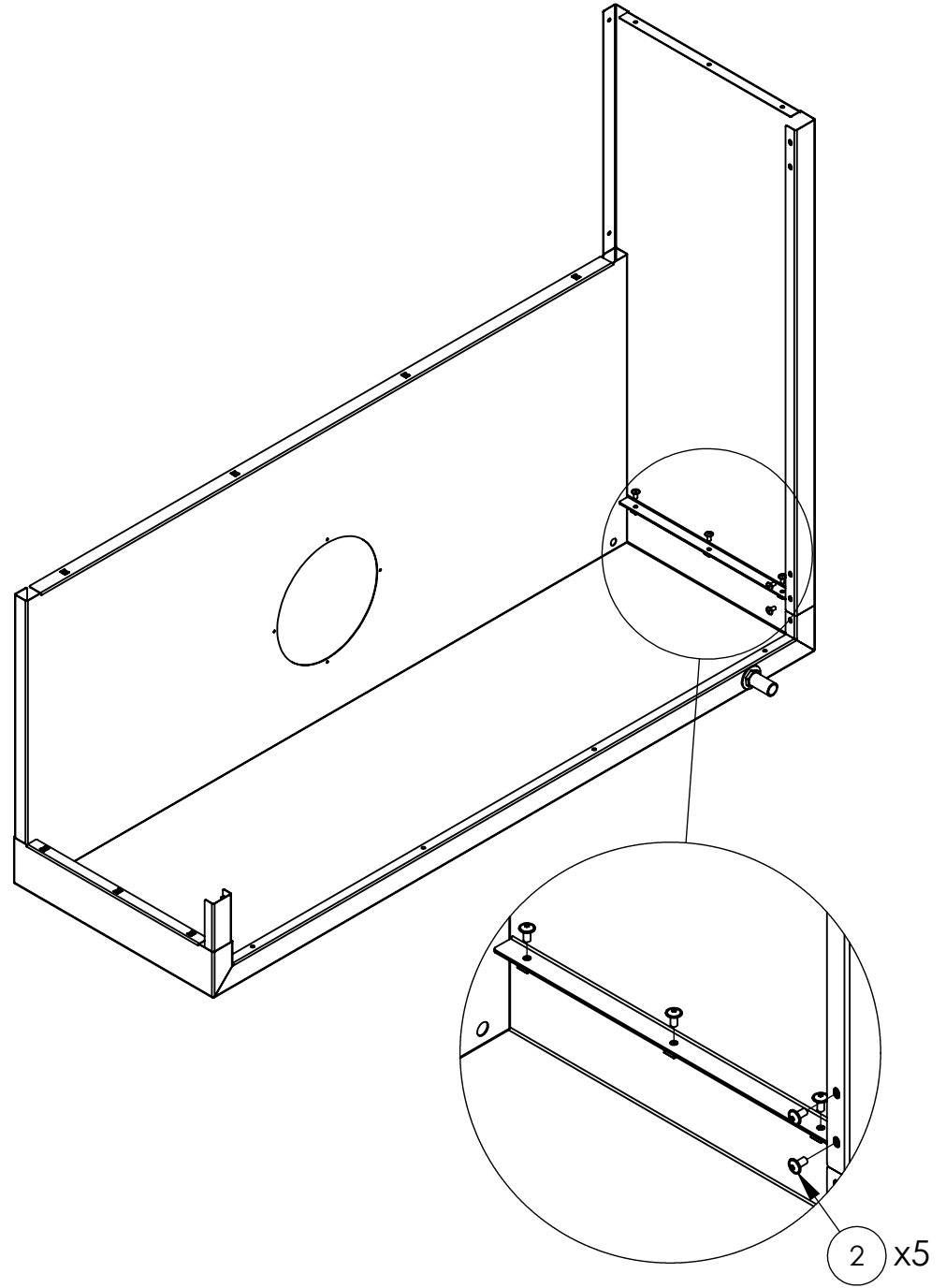
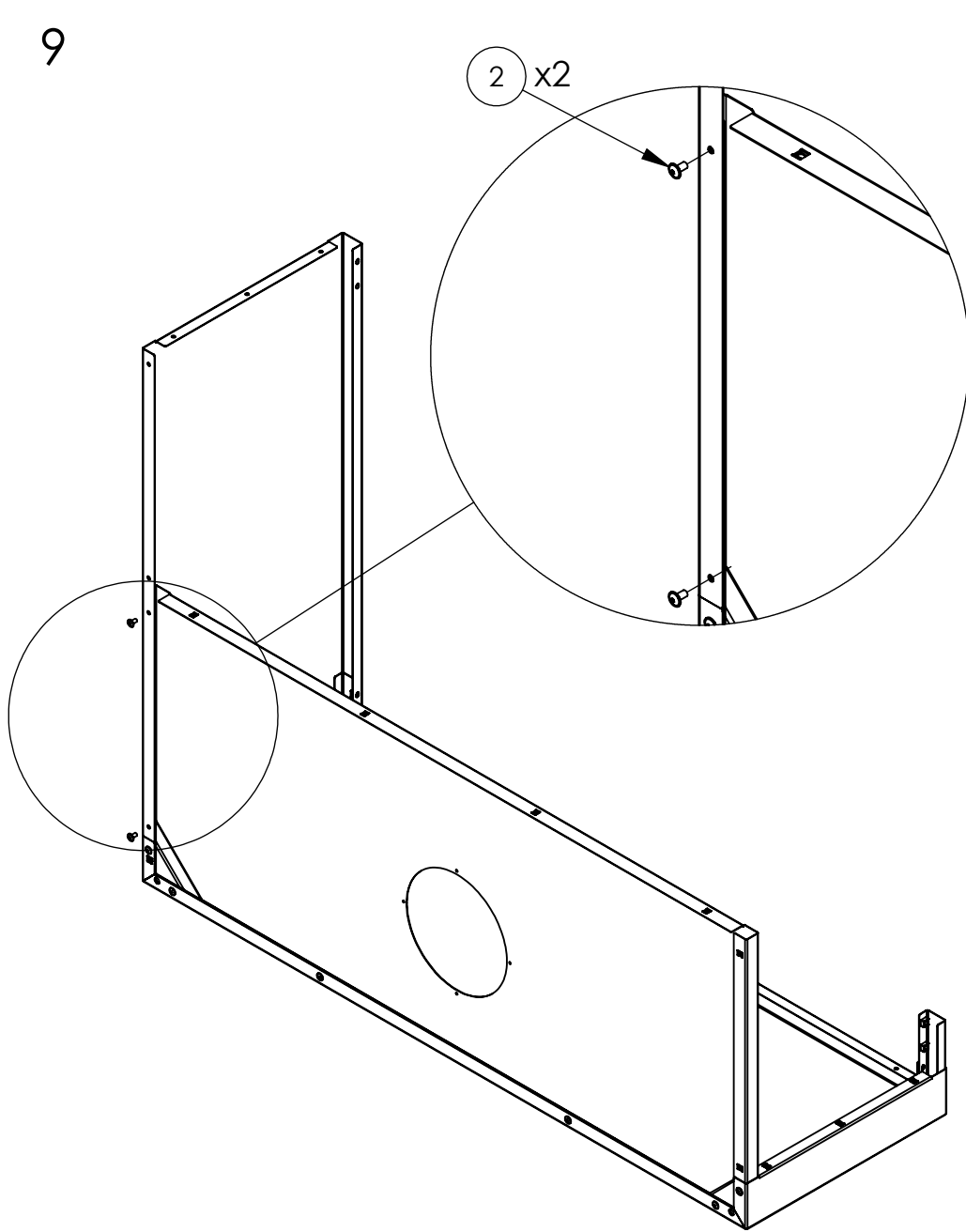
2 x2 ≤ 1205
2 x3 = 1505
2 x4 > 1505

2 x2

8



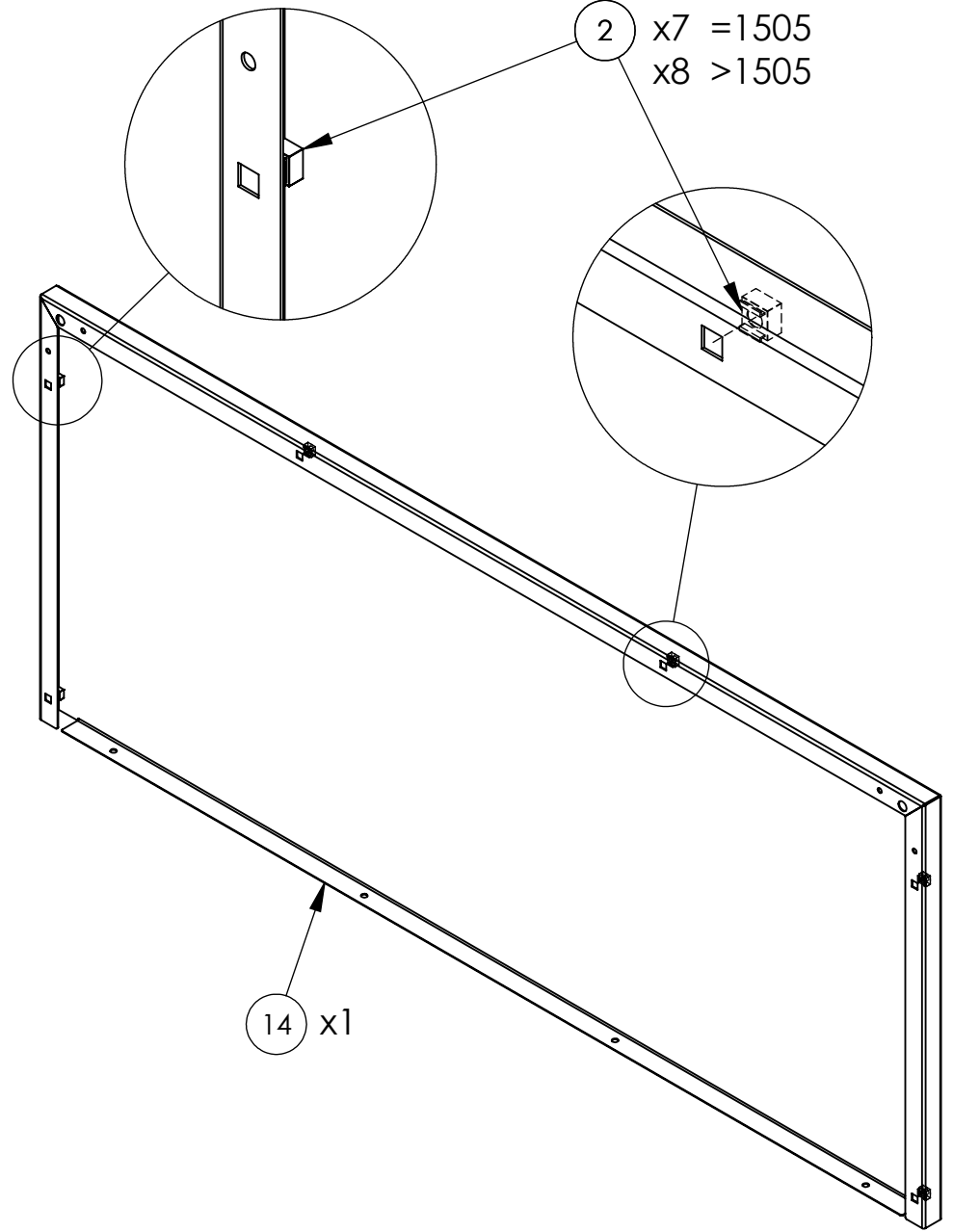
9



10

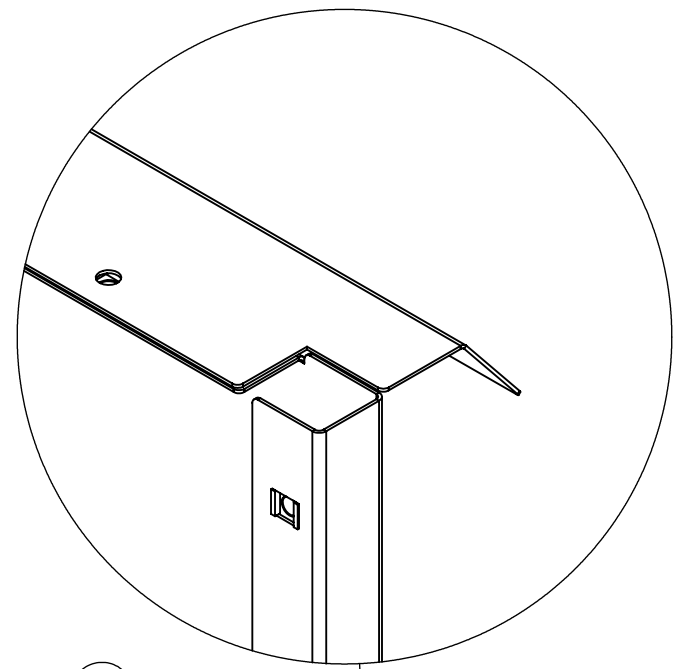
x6 ≤1205
x7 =1505
x8 >1505

2



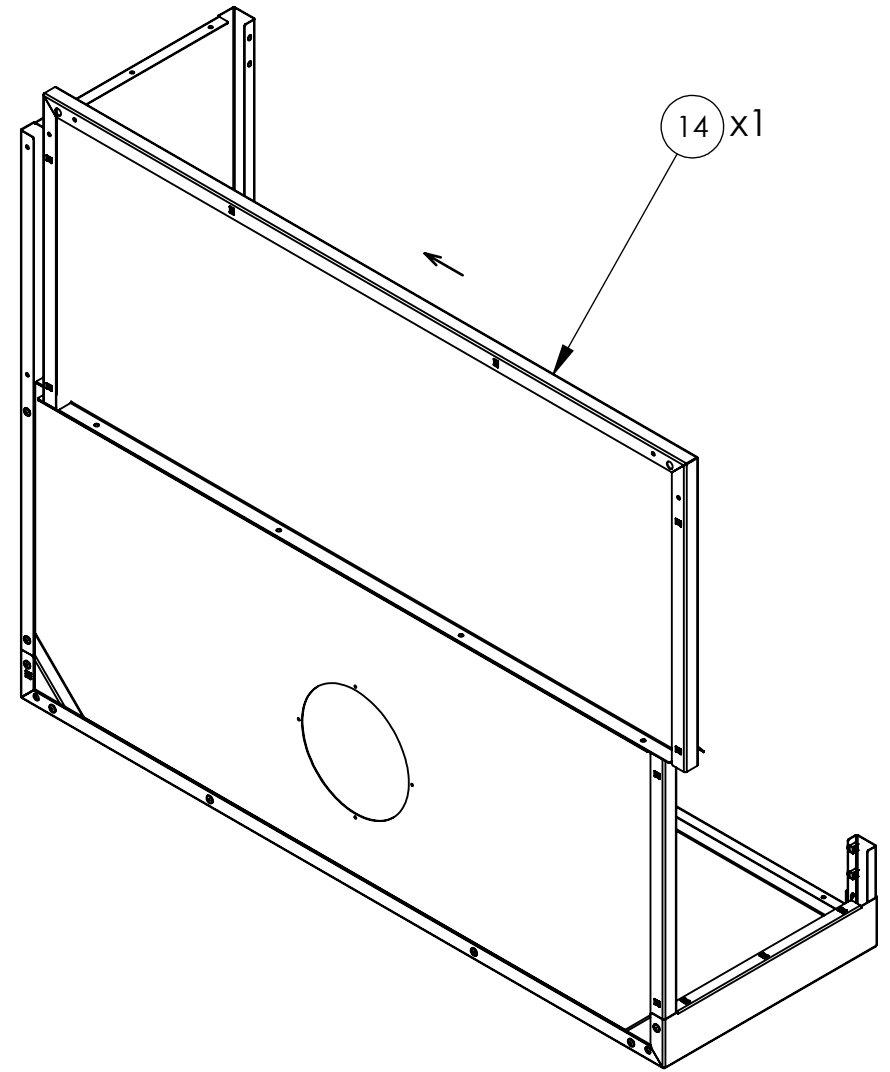
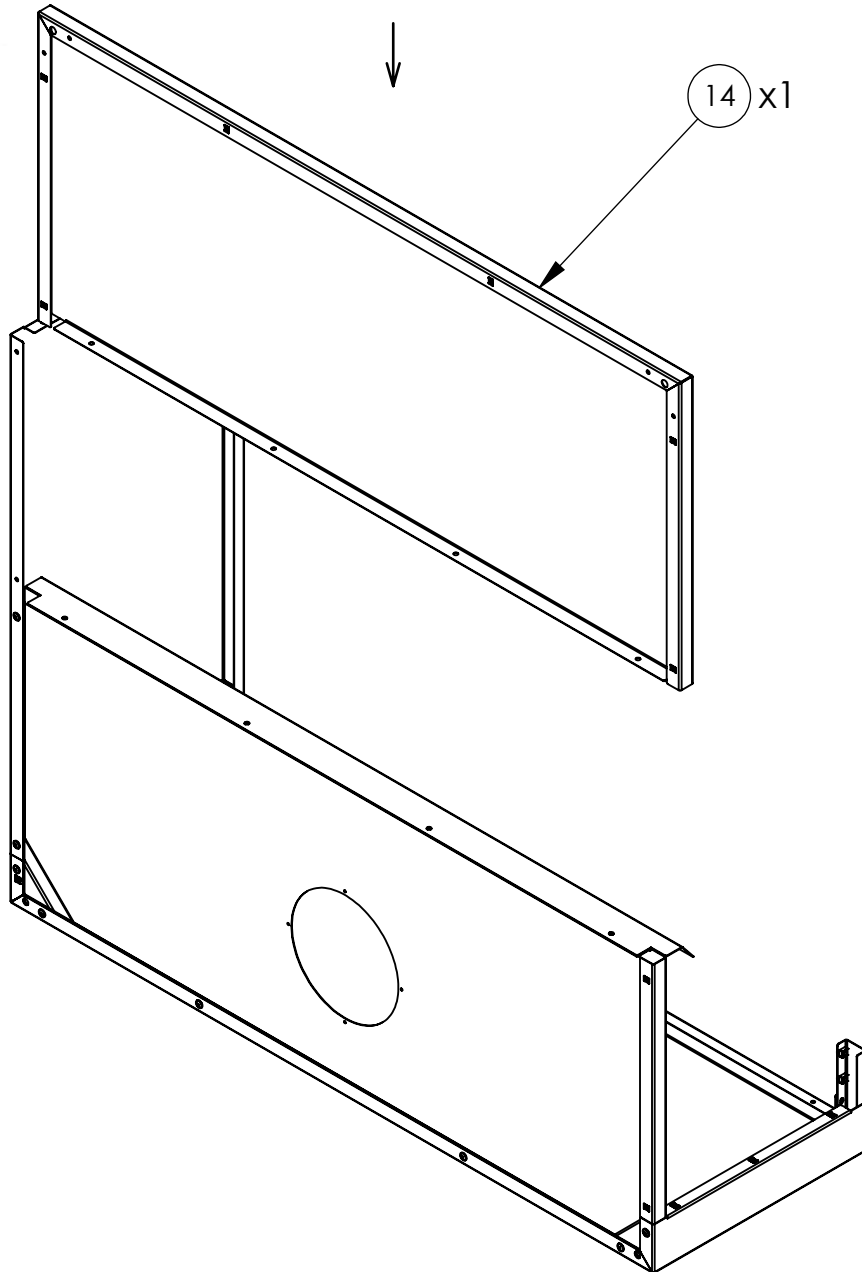
14 x1

11



13 x1

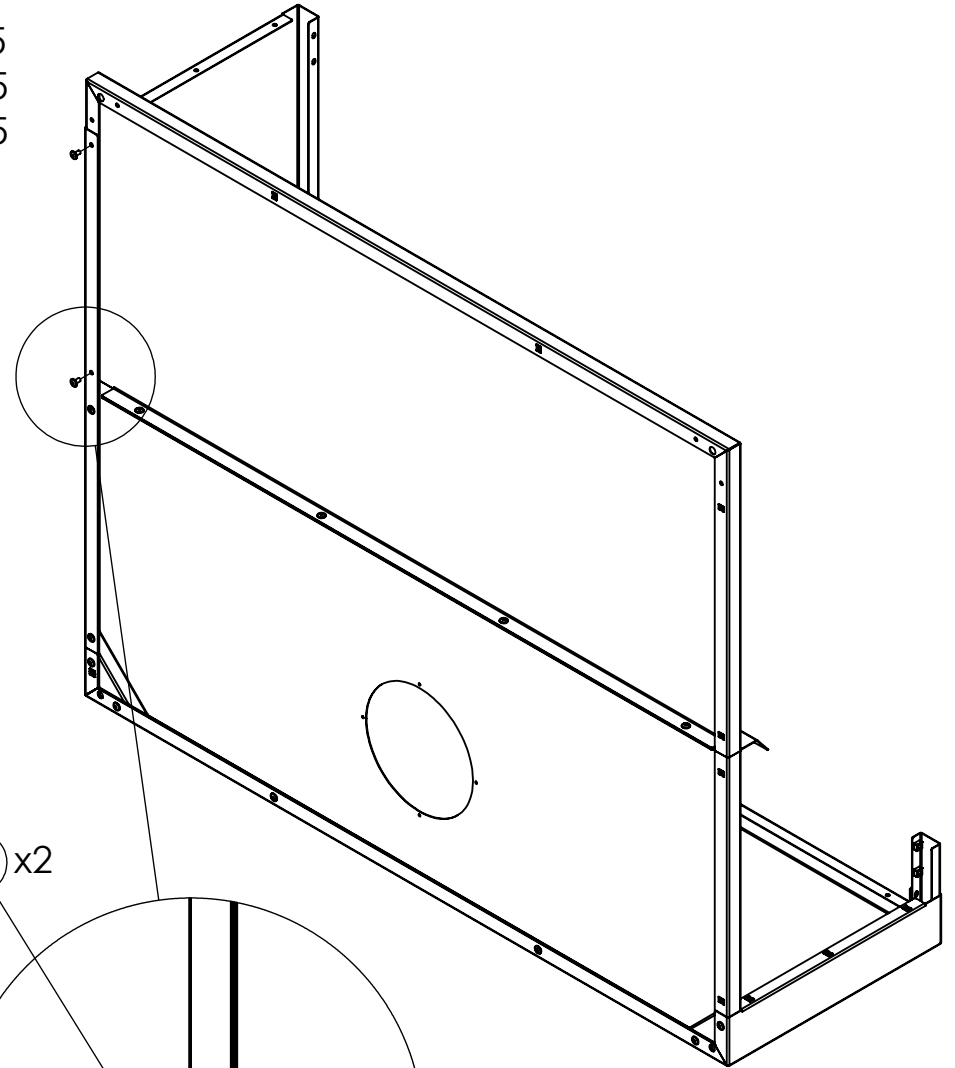
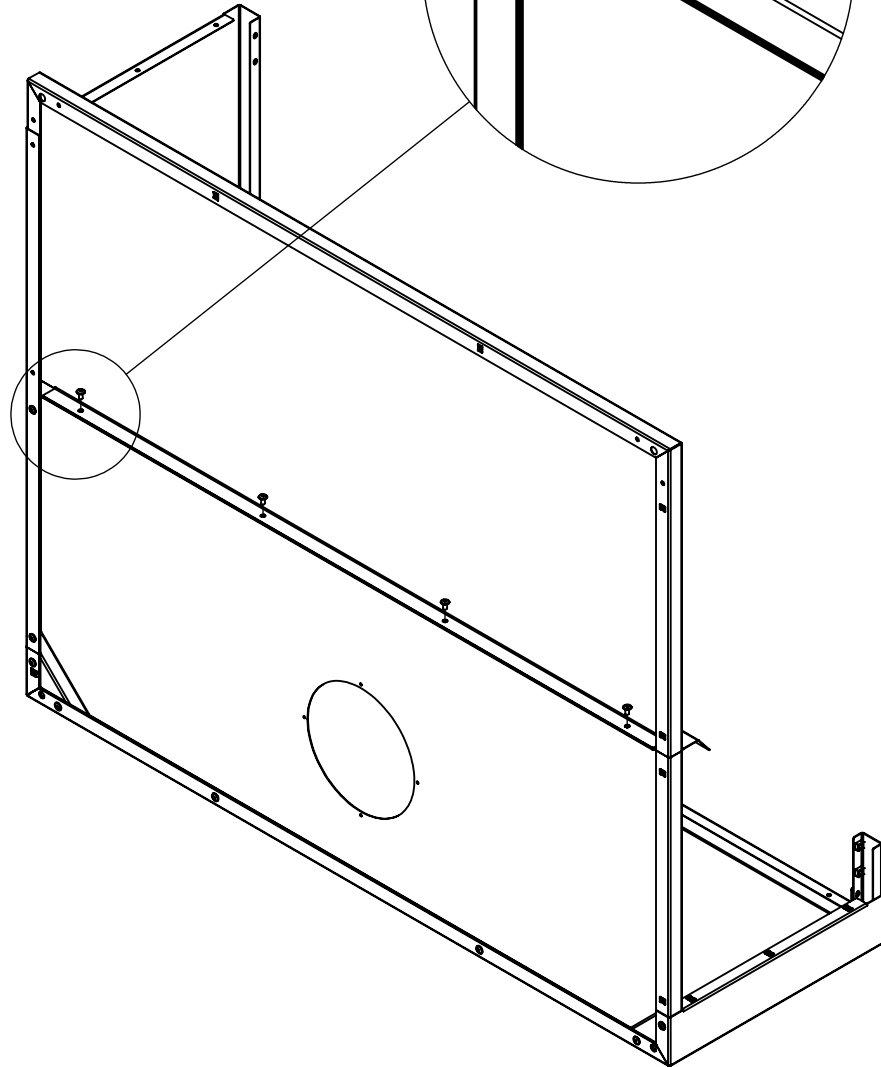
12



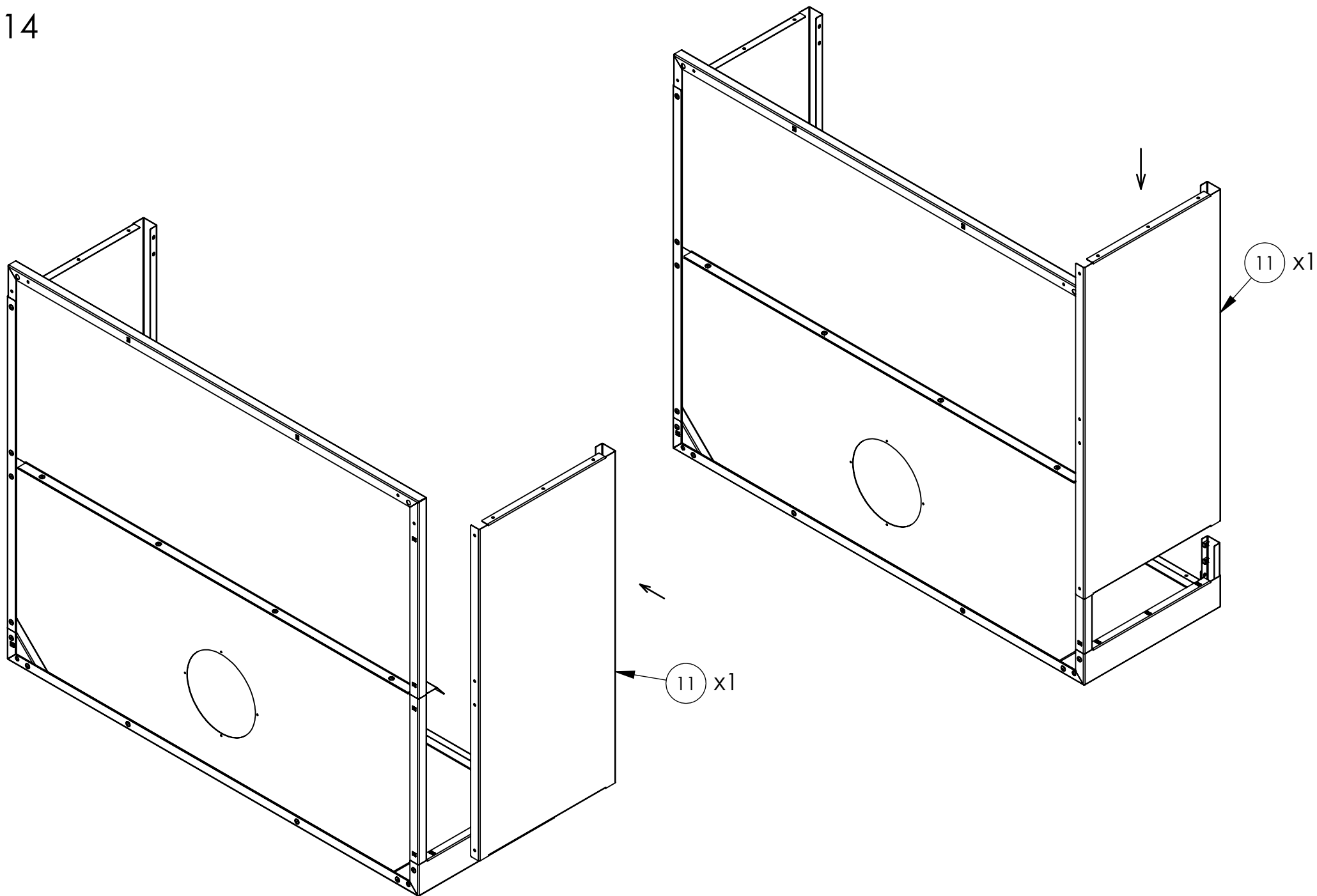
13



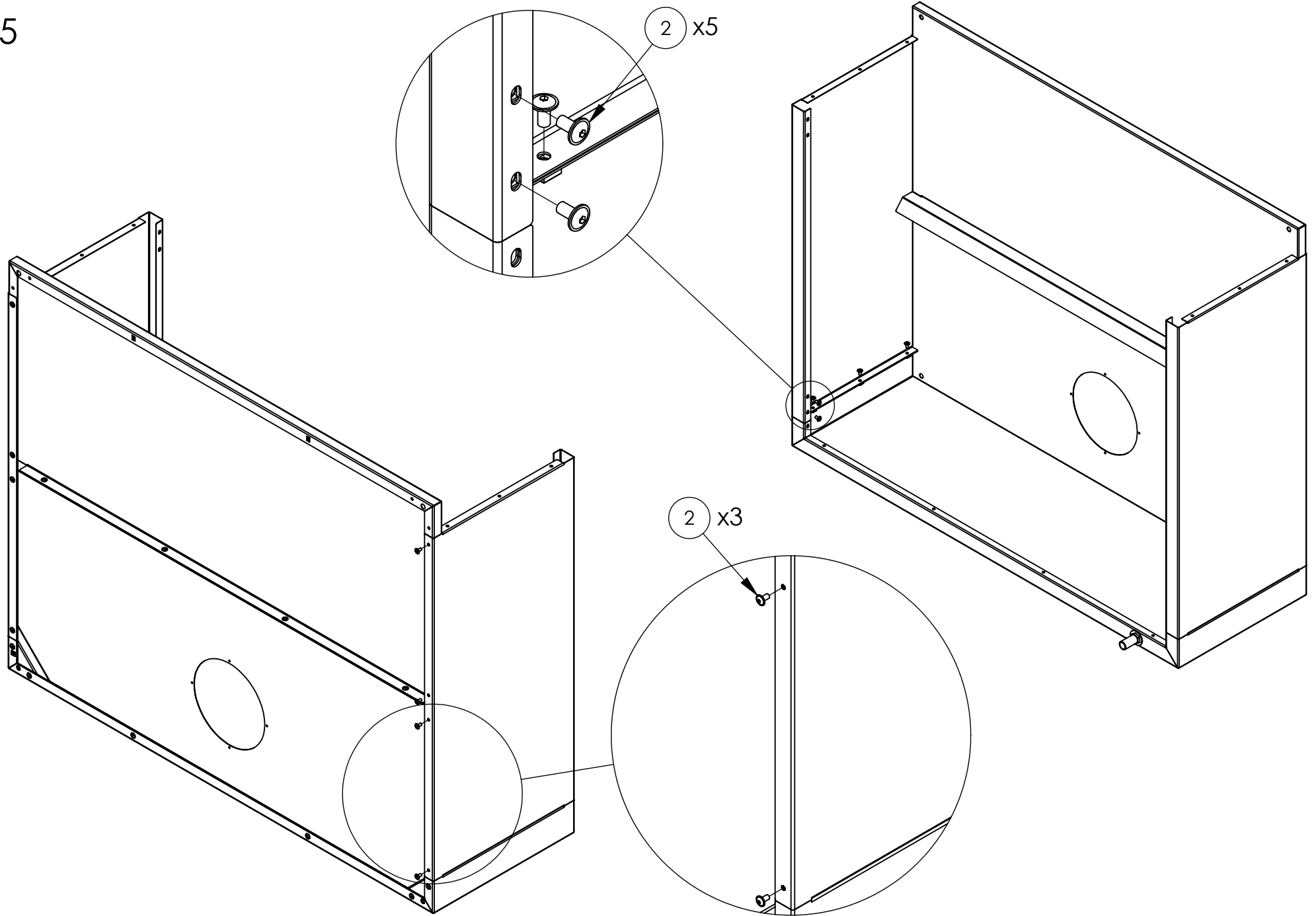
x4 ≤ 1205
x5 = 1505
x6 > 1505



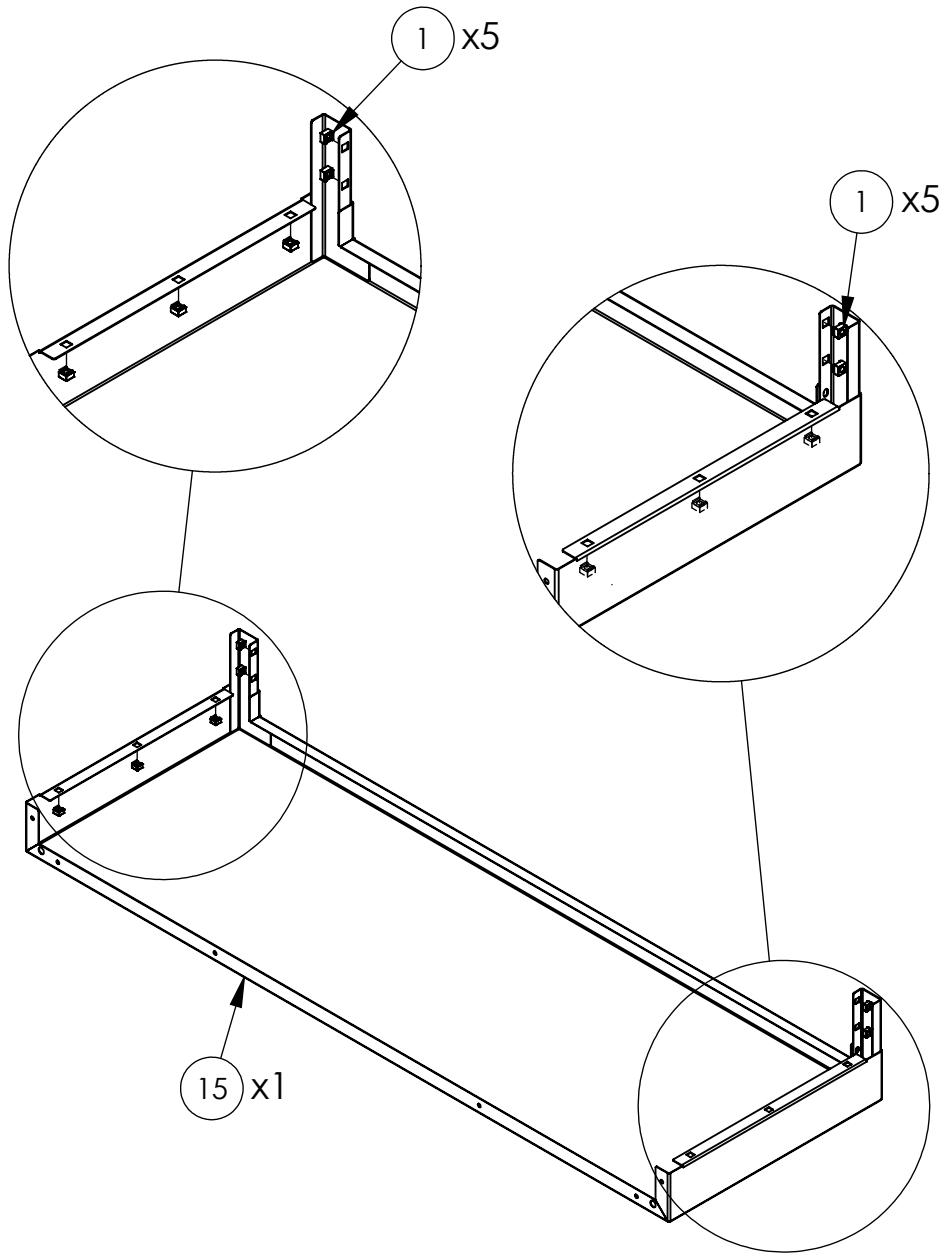
14



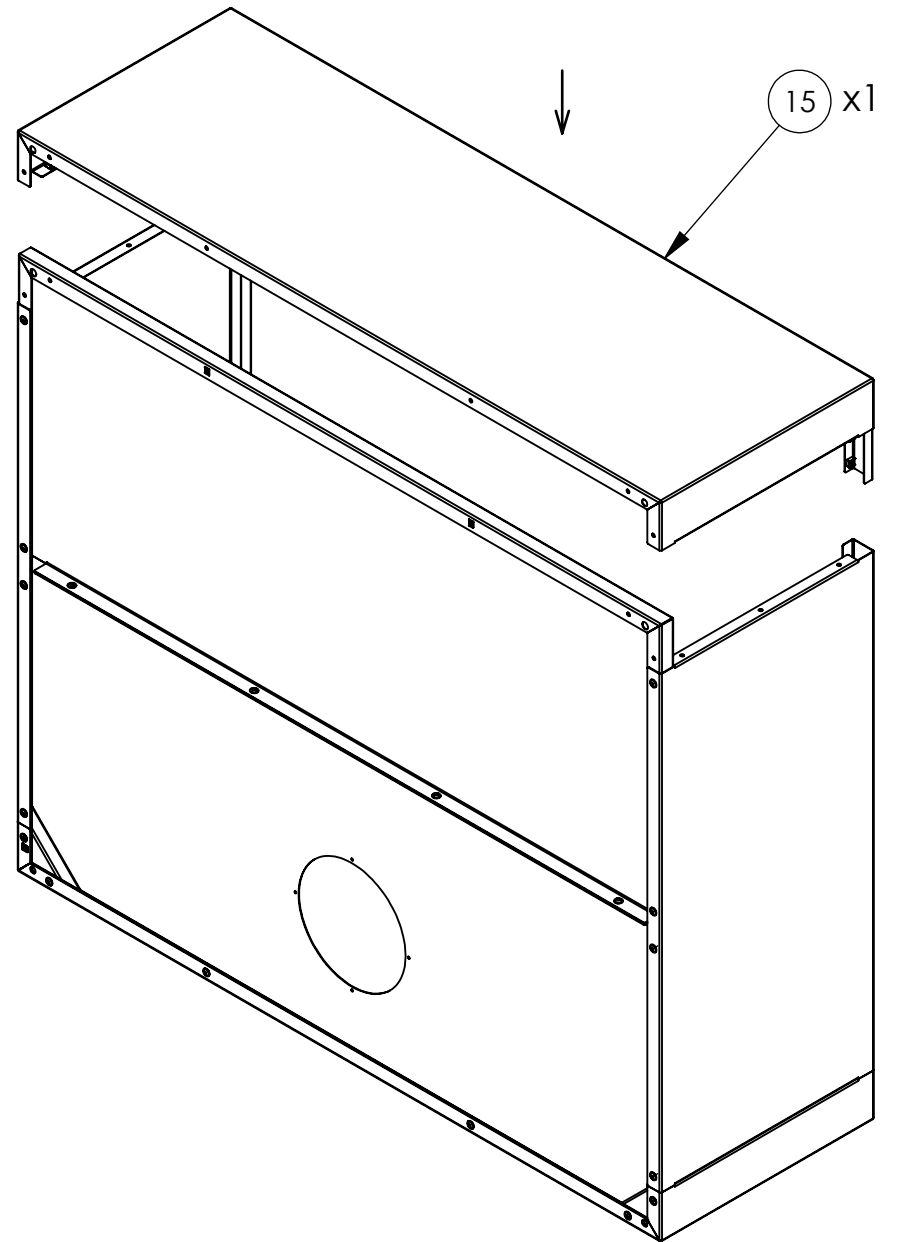
15



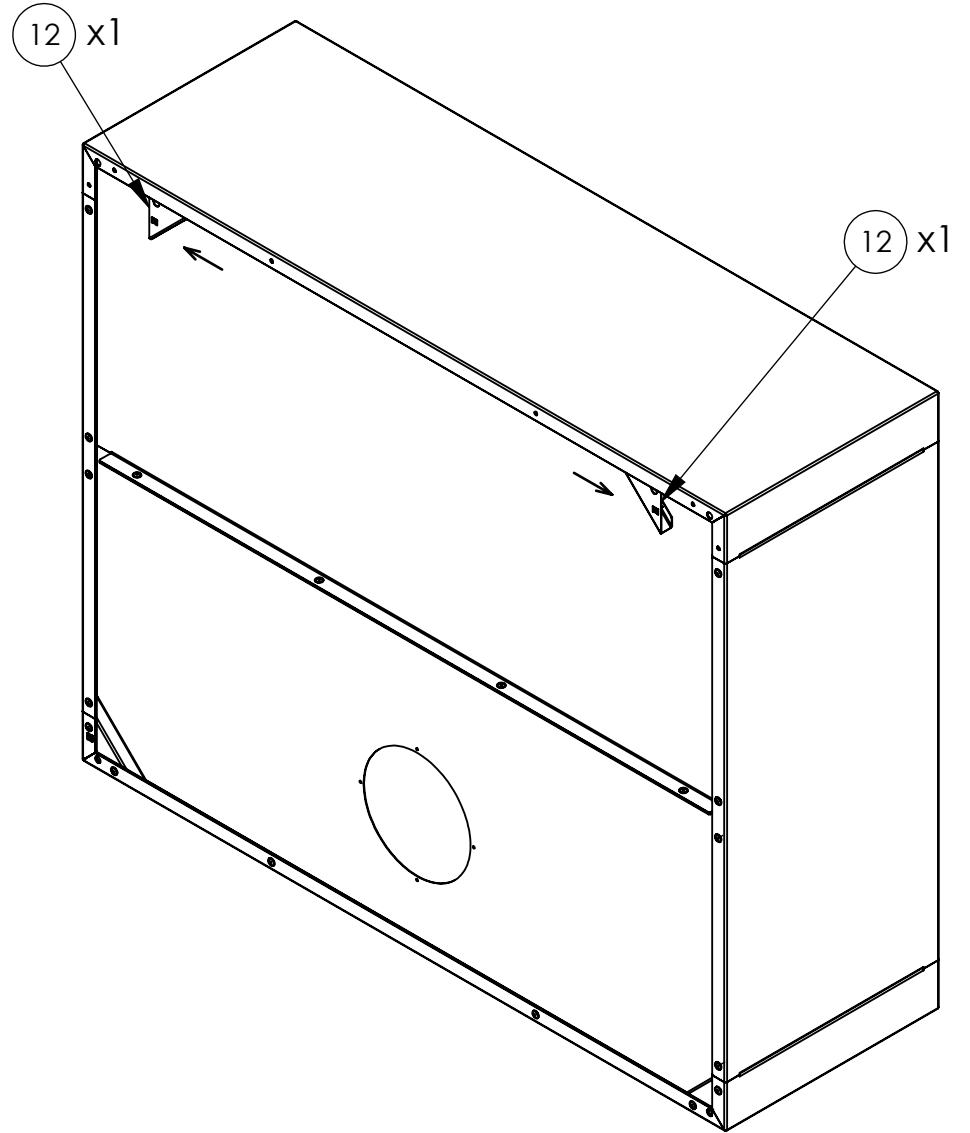
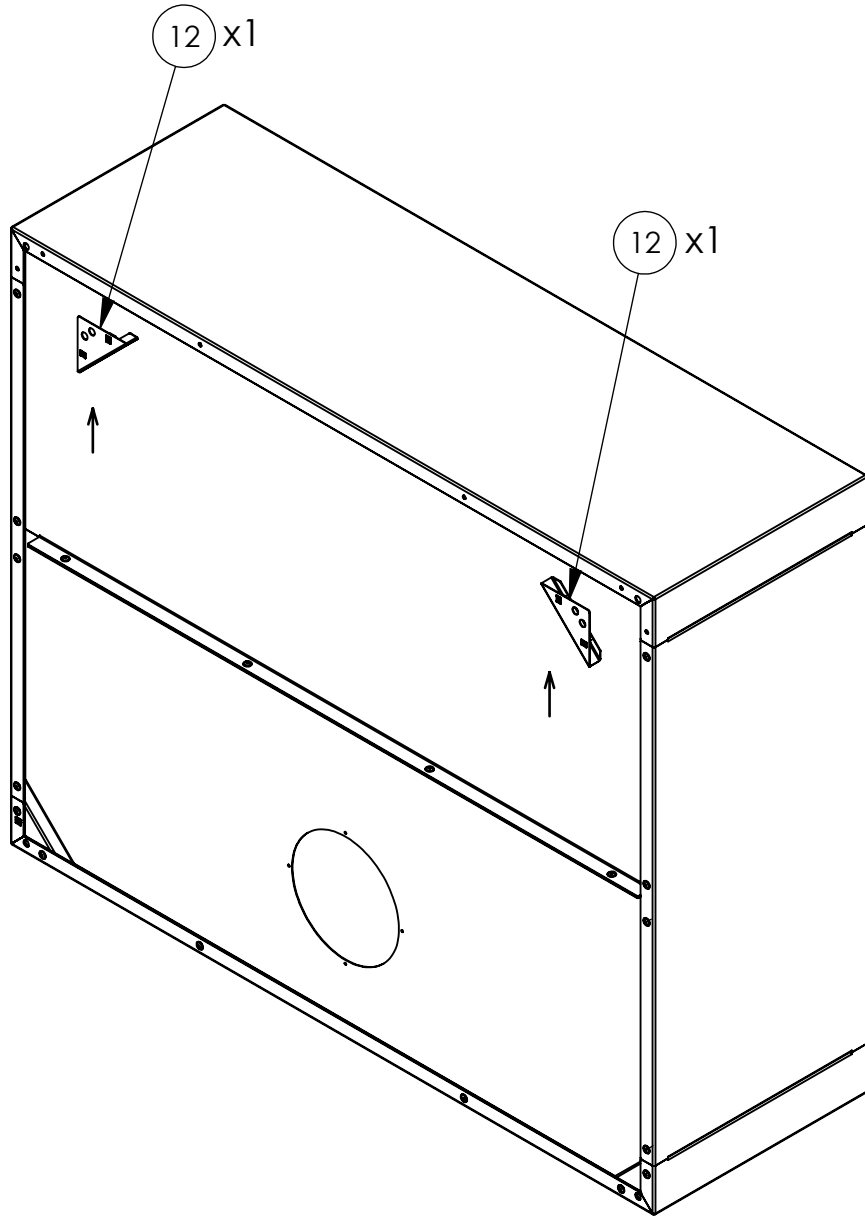
16



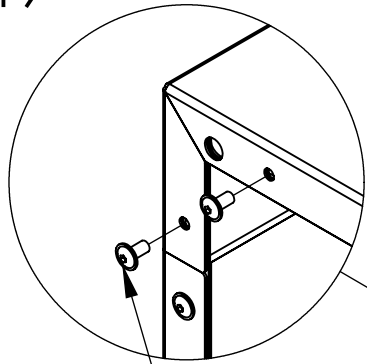
17



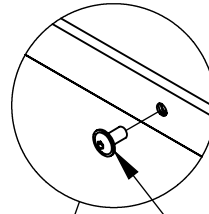
18



19

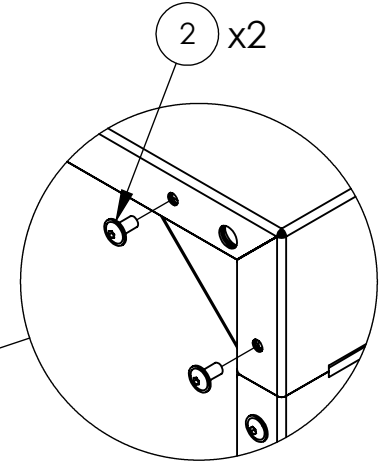


2 x2

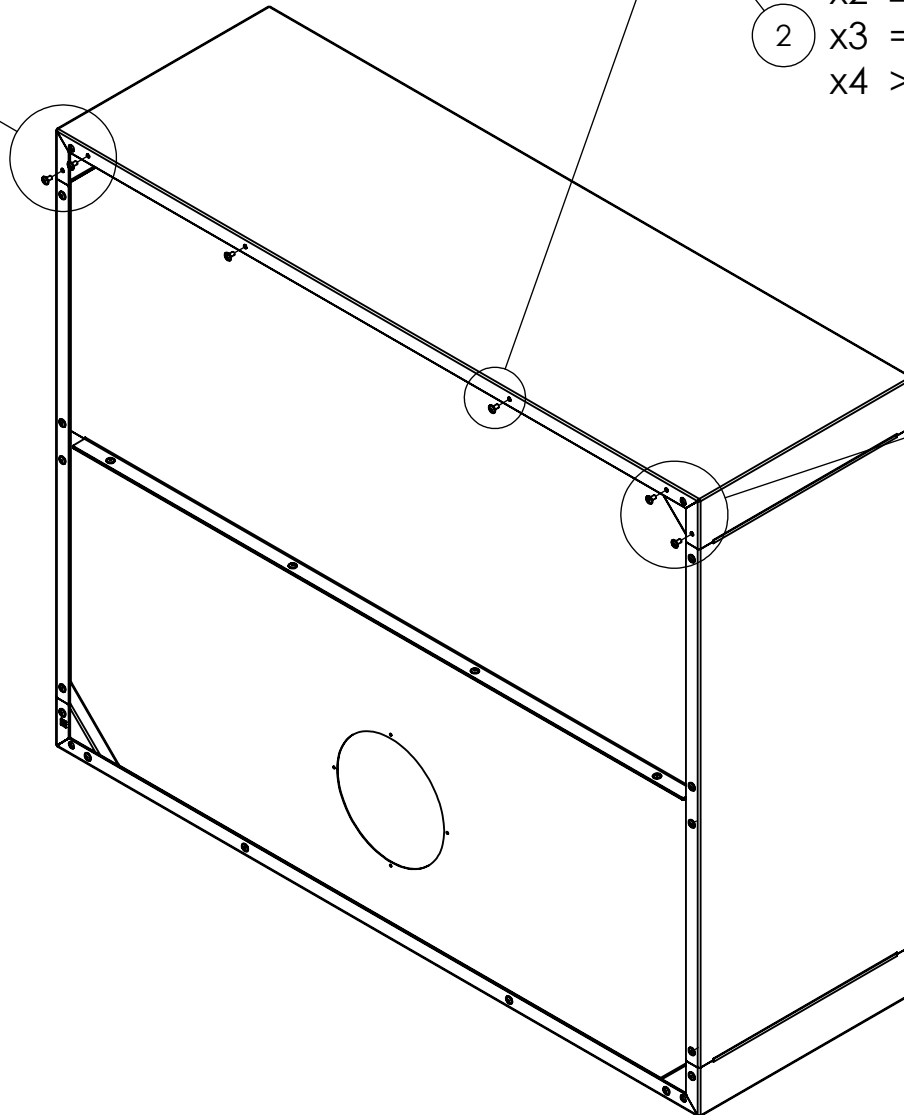


2

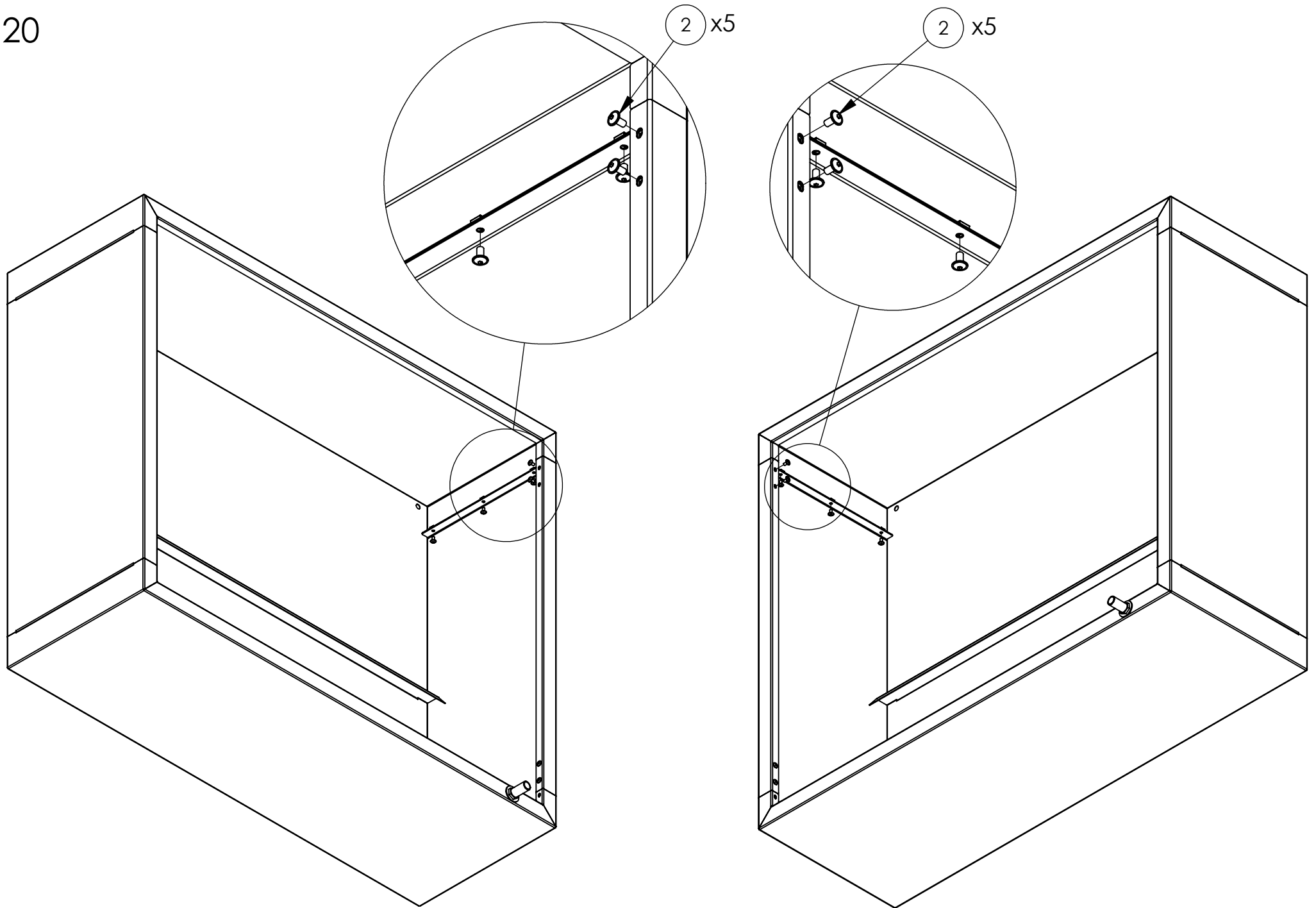
x2 ≤1205
x3 =1505
x4 >1505



2 x2

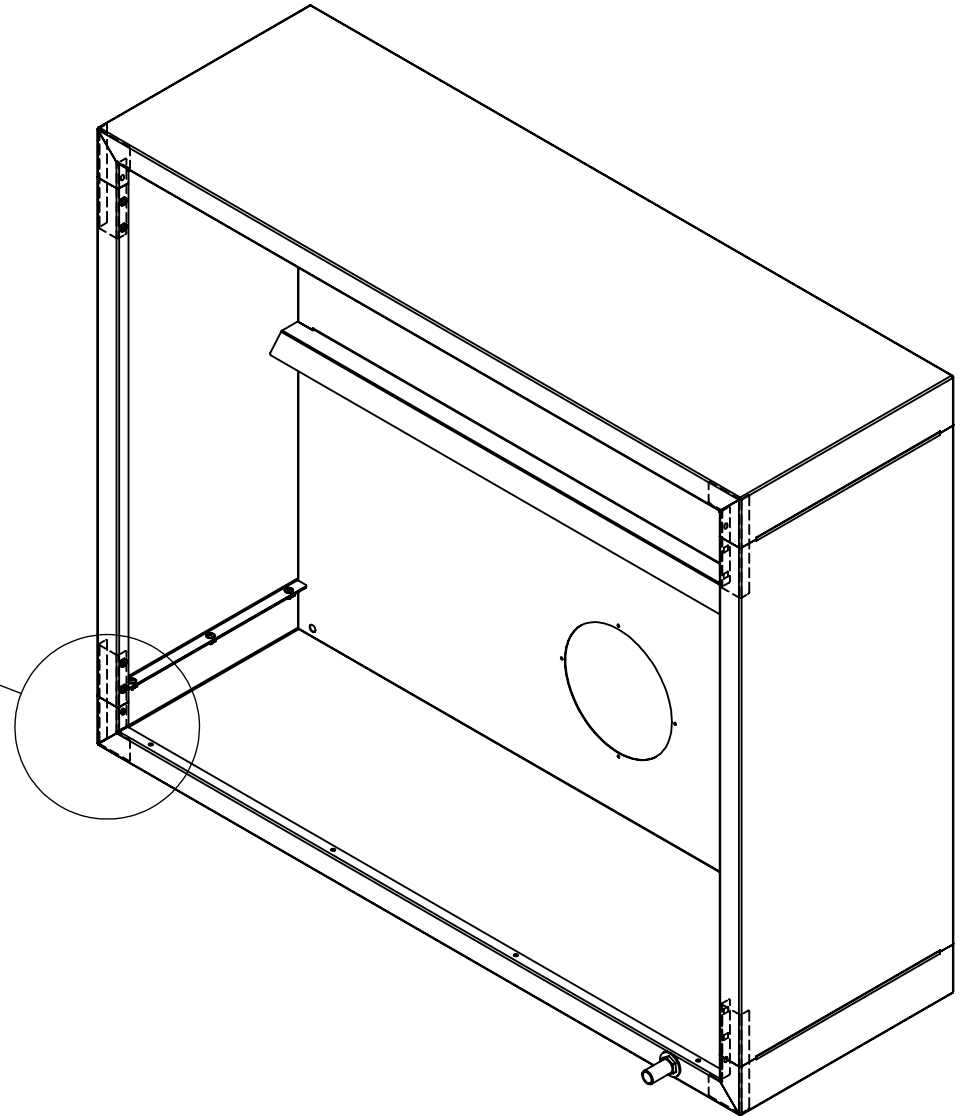
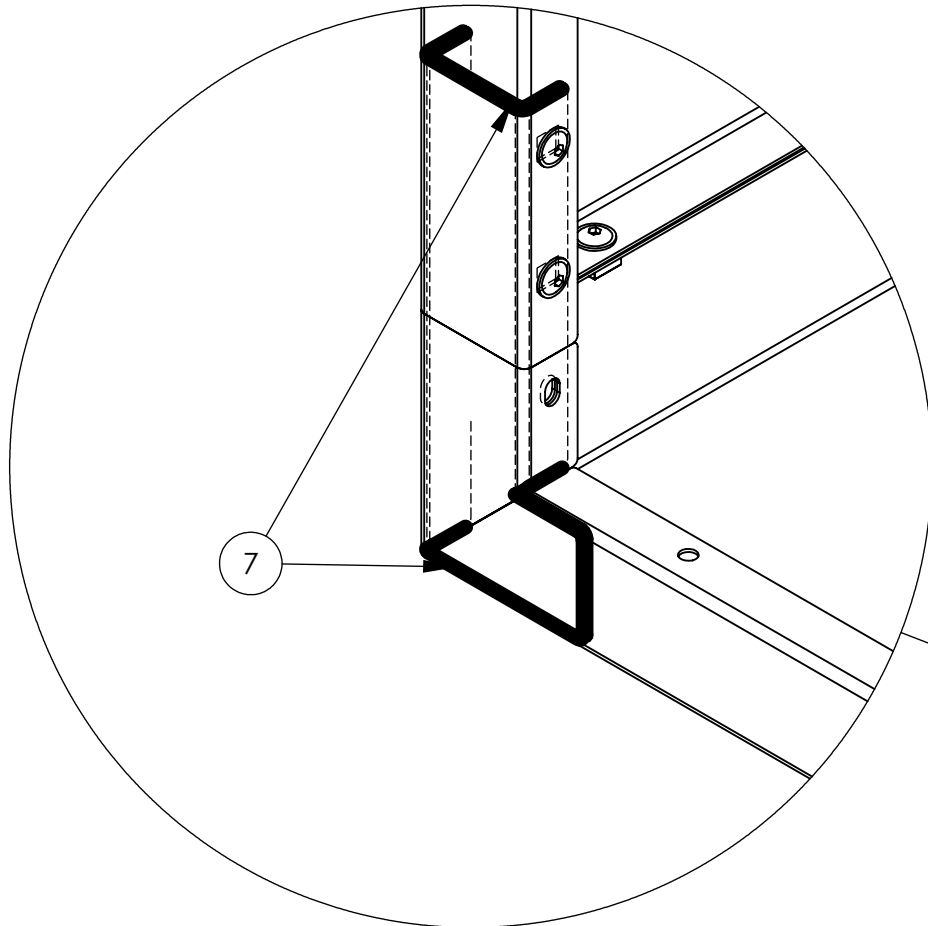


20

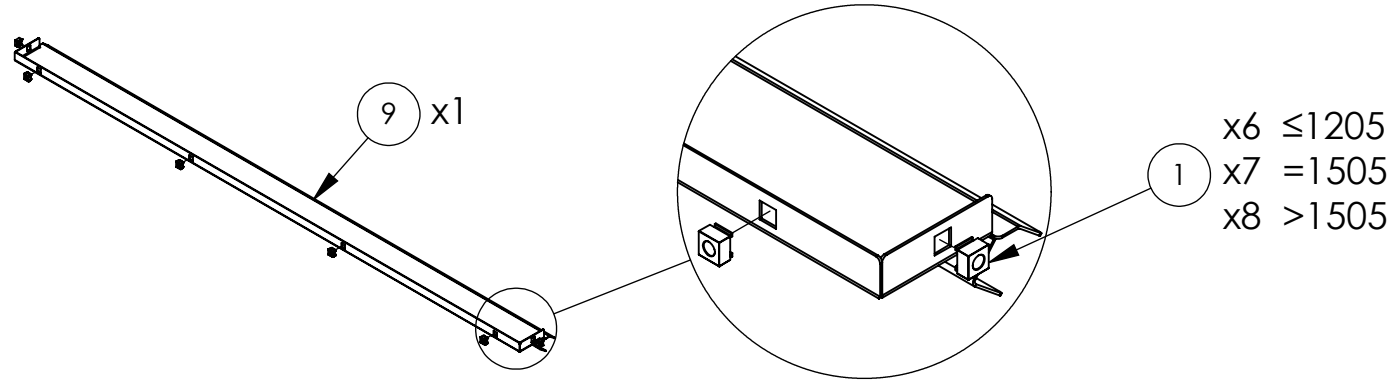


21

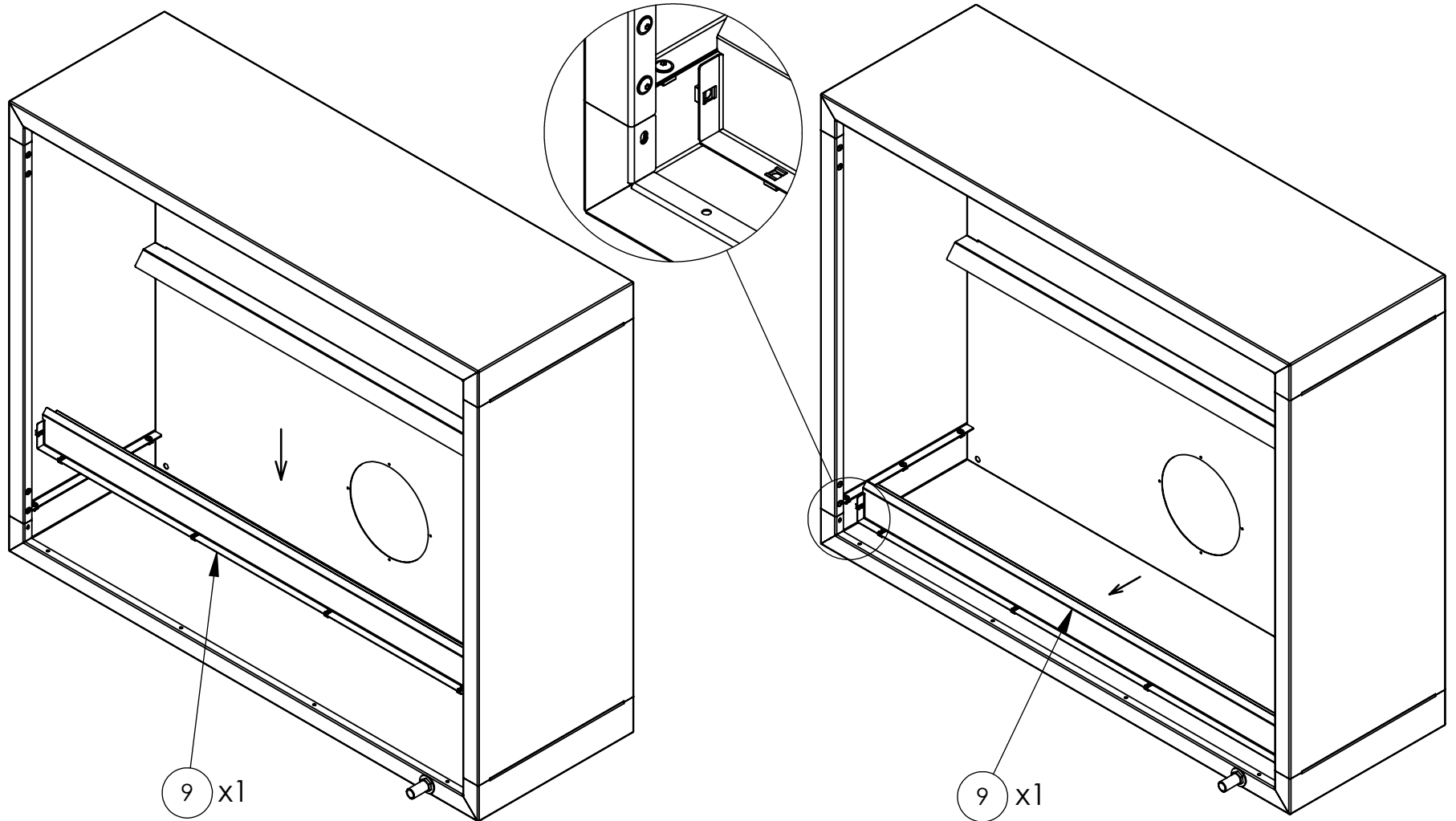
x4



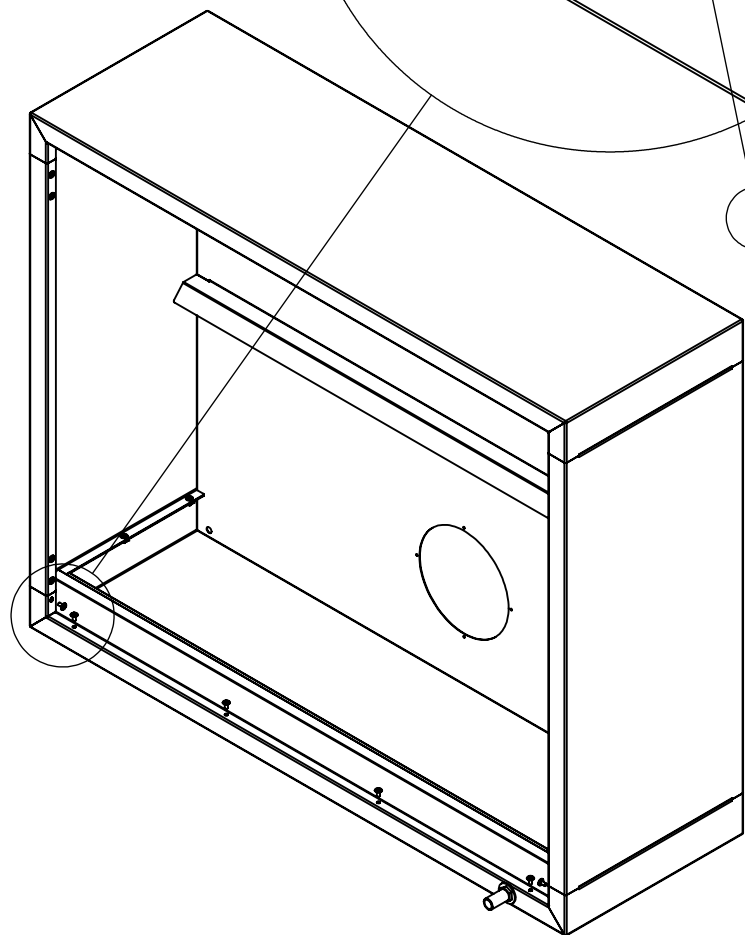
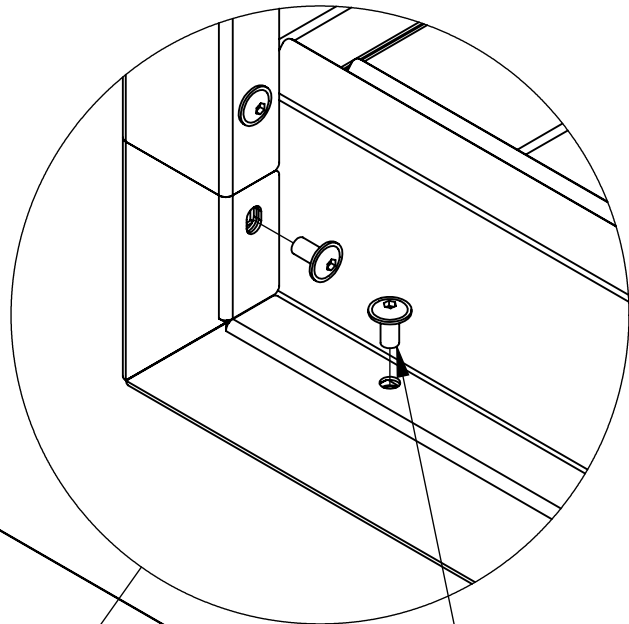
22



23

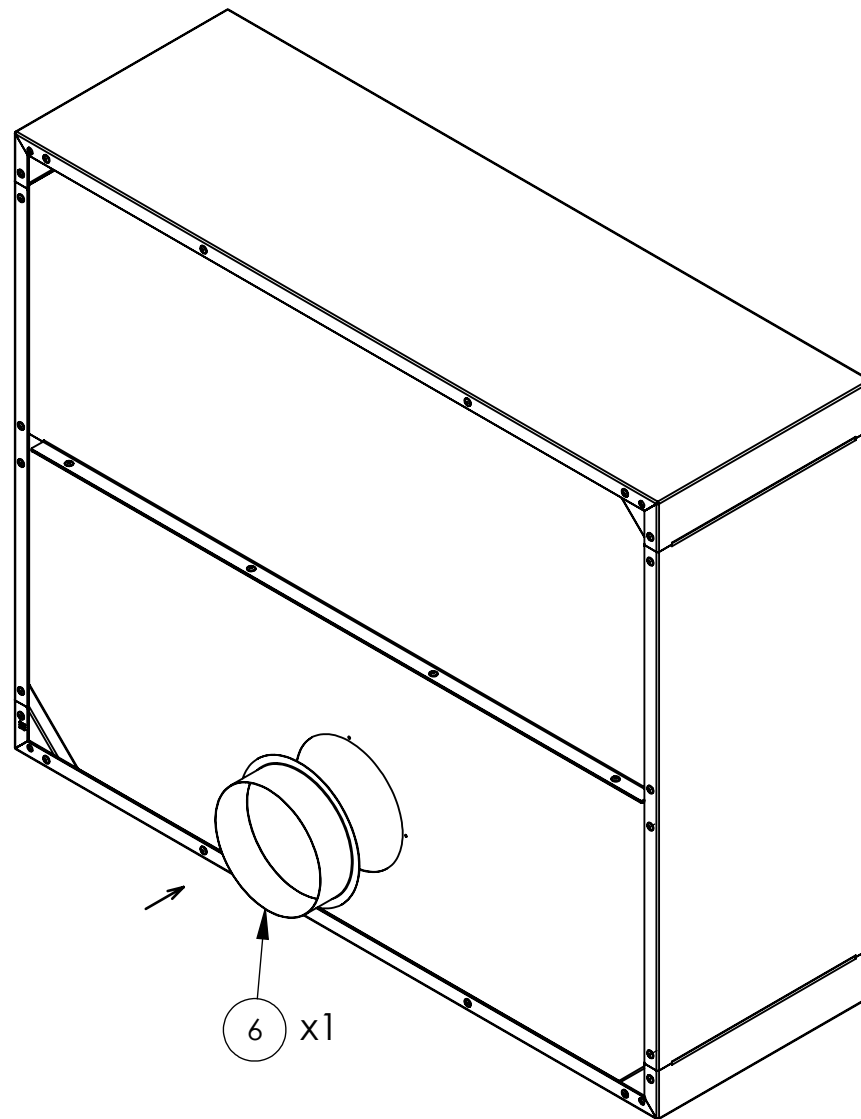


24

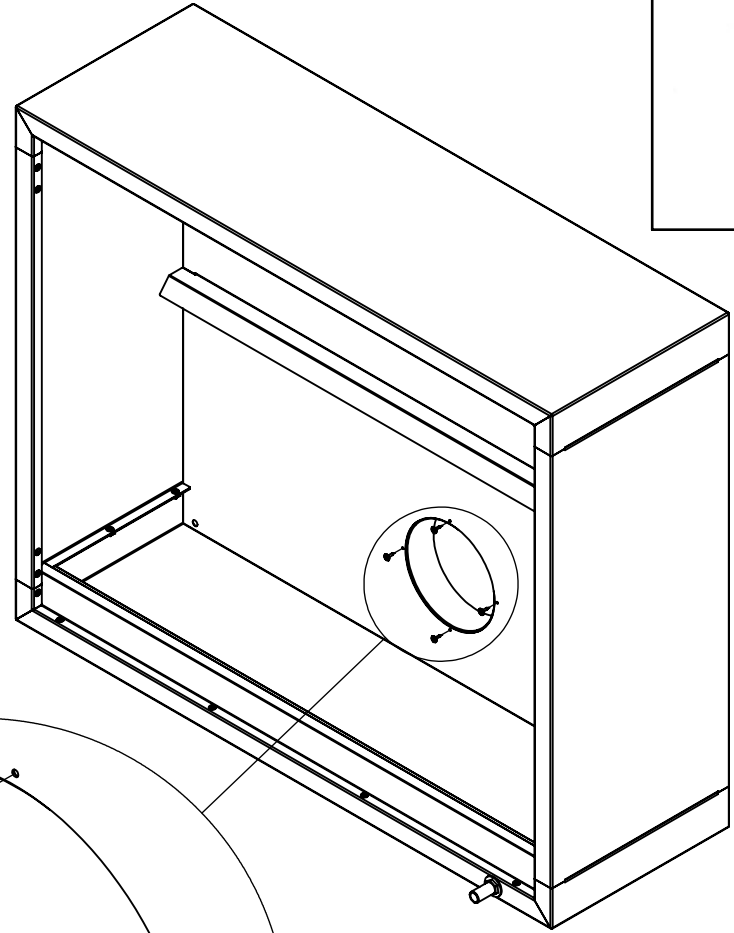
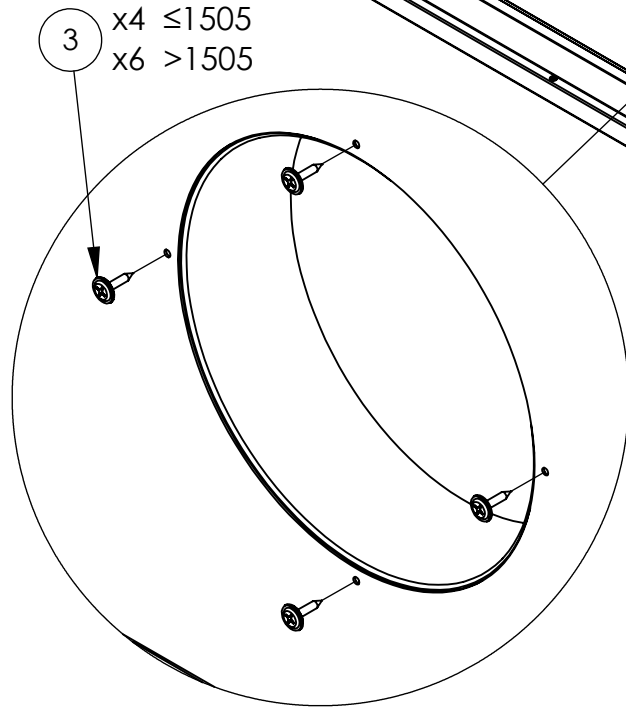
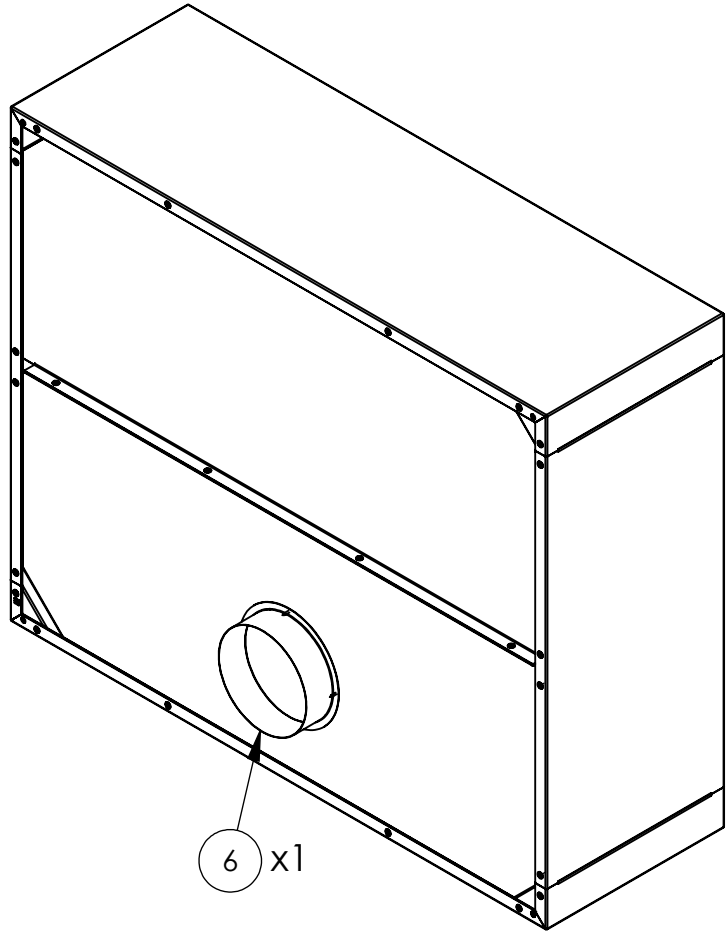
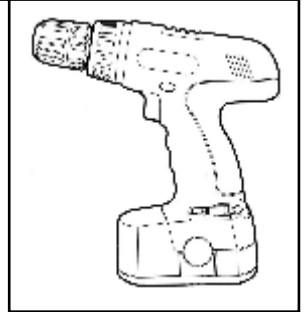


x6 ≤ 1205
2 x7 = 1505
x8 > 1505

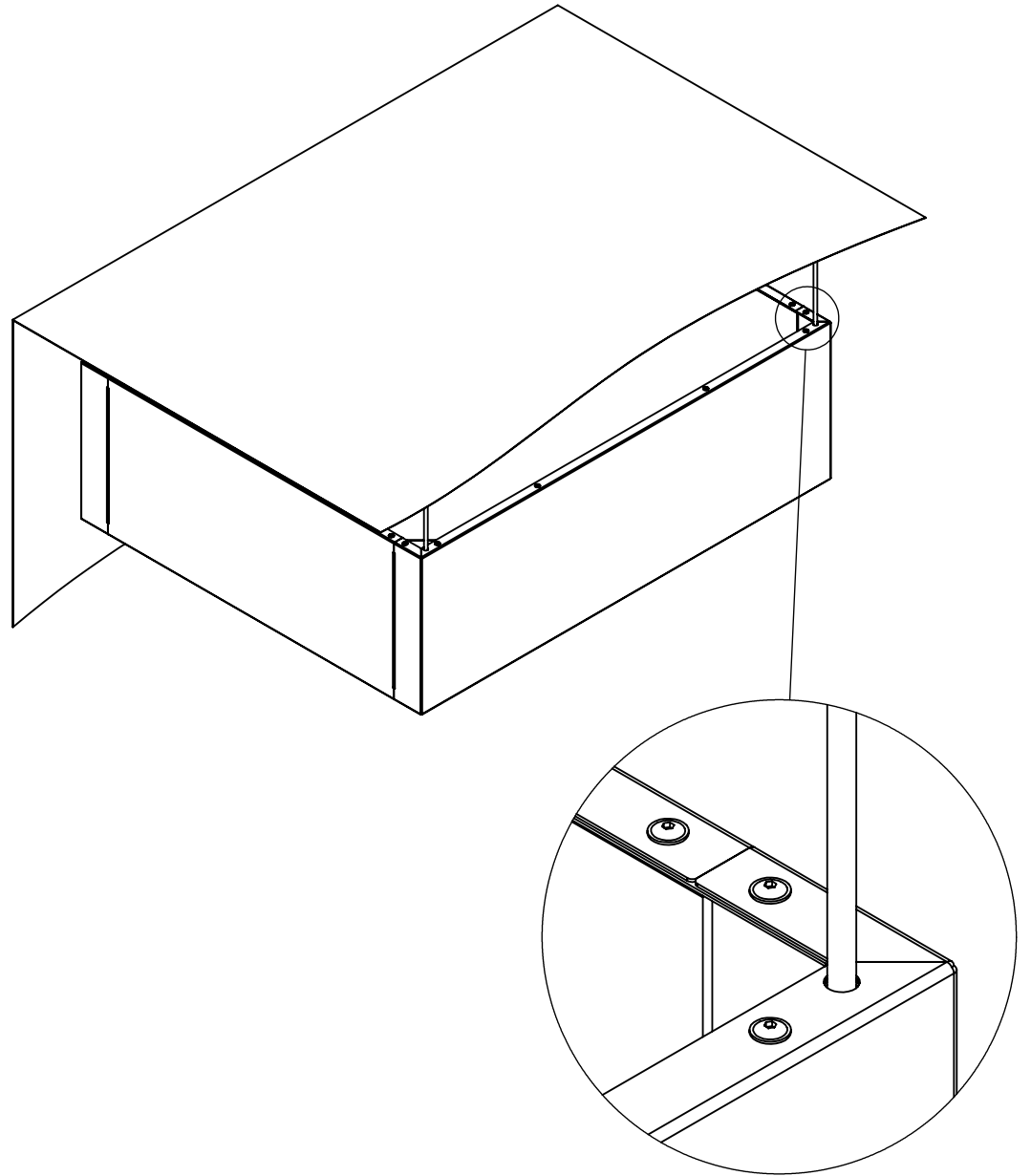
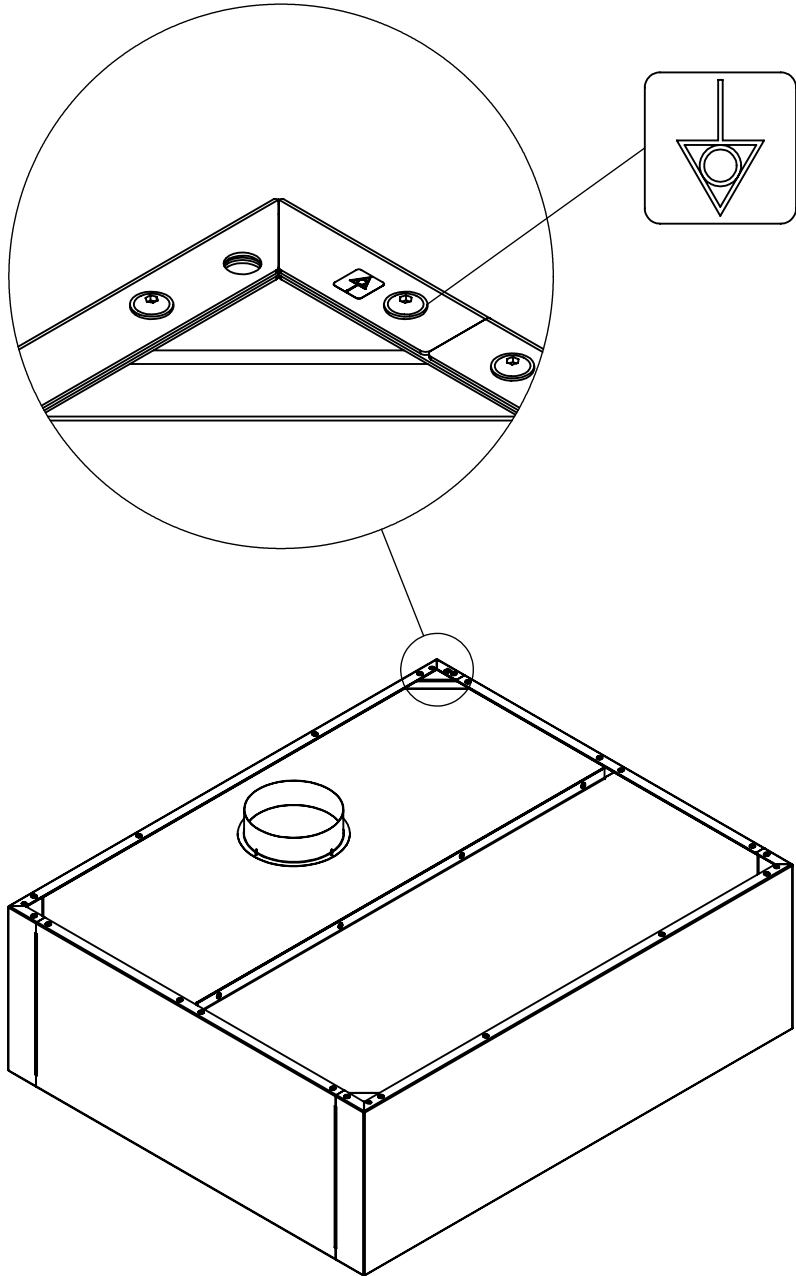
25



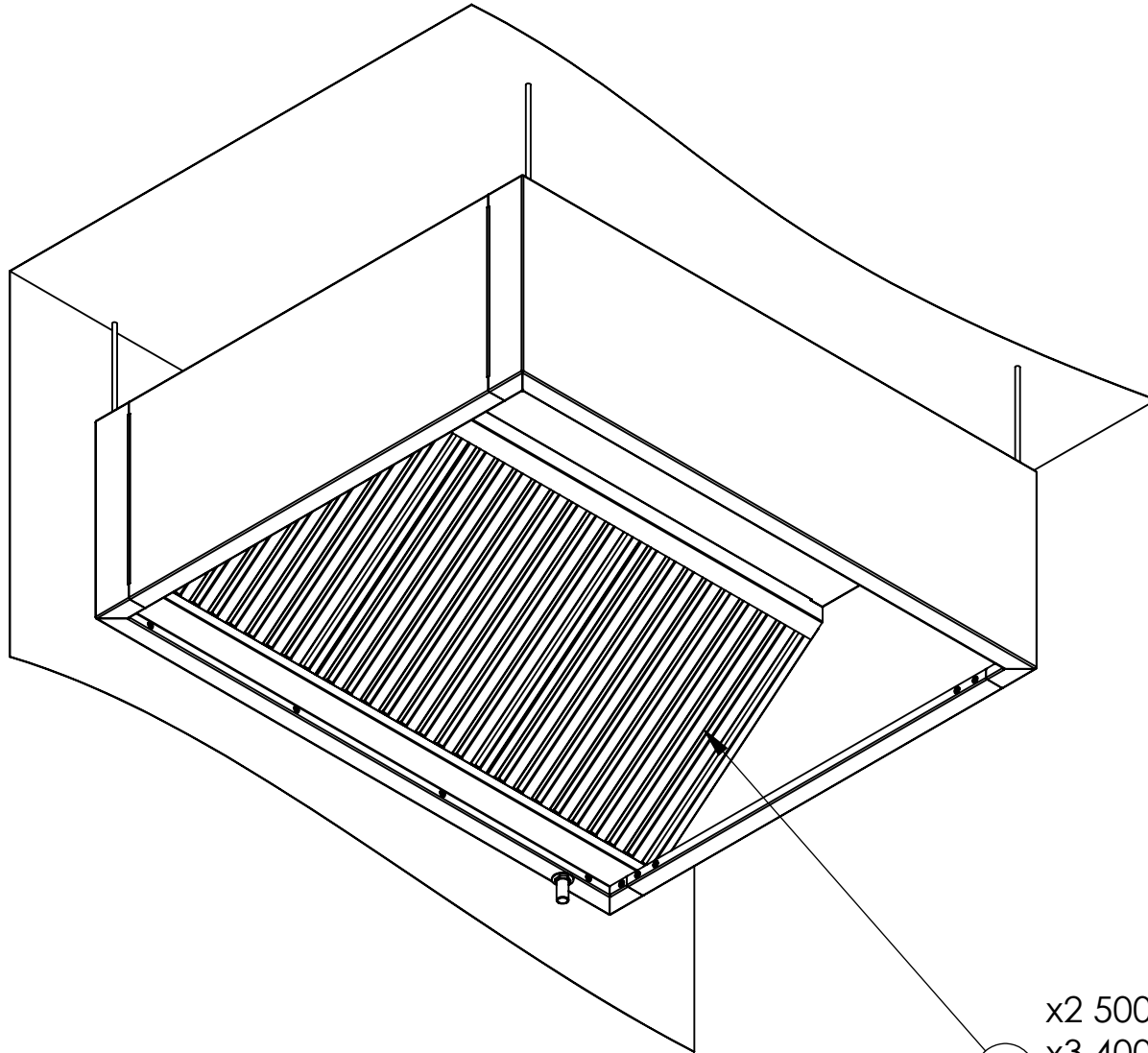
26



27



28



- x2 500x500 =1005
- x3 400x500 =1205
- x3 500x500 =1505
- x4 500x500 =2005