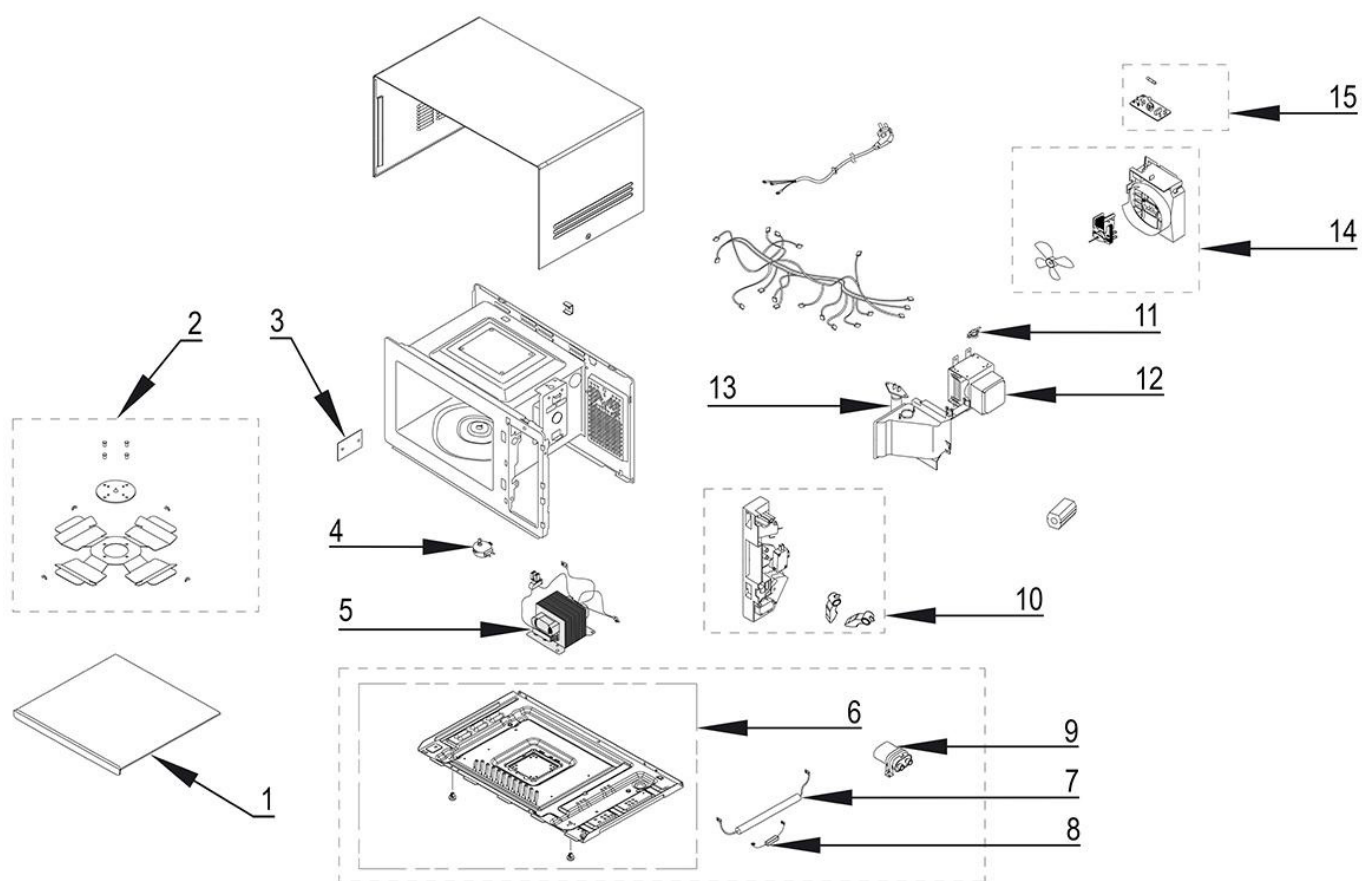
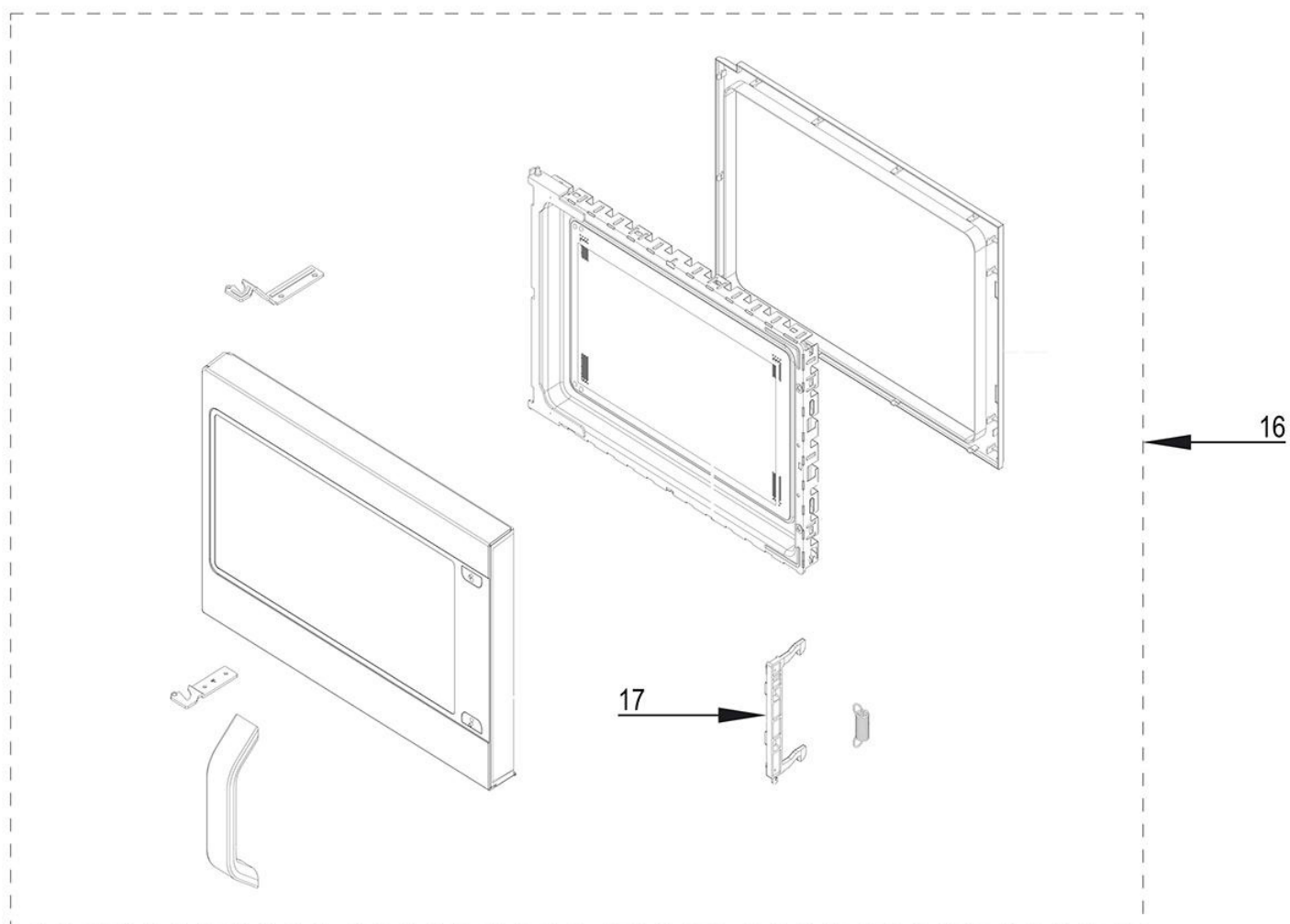
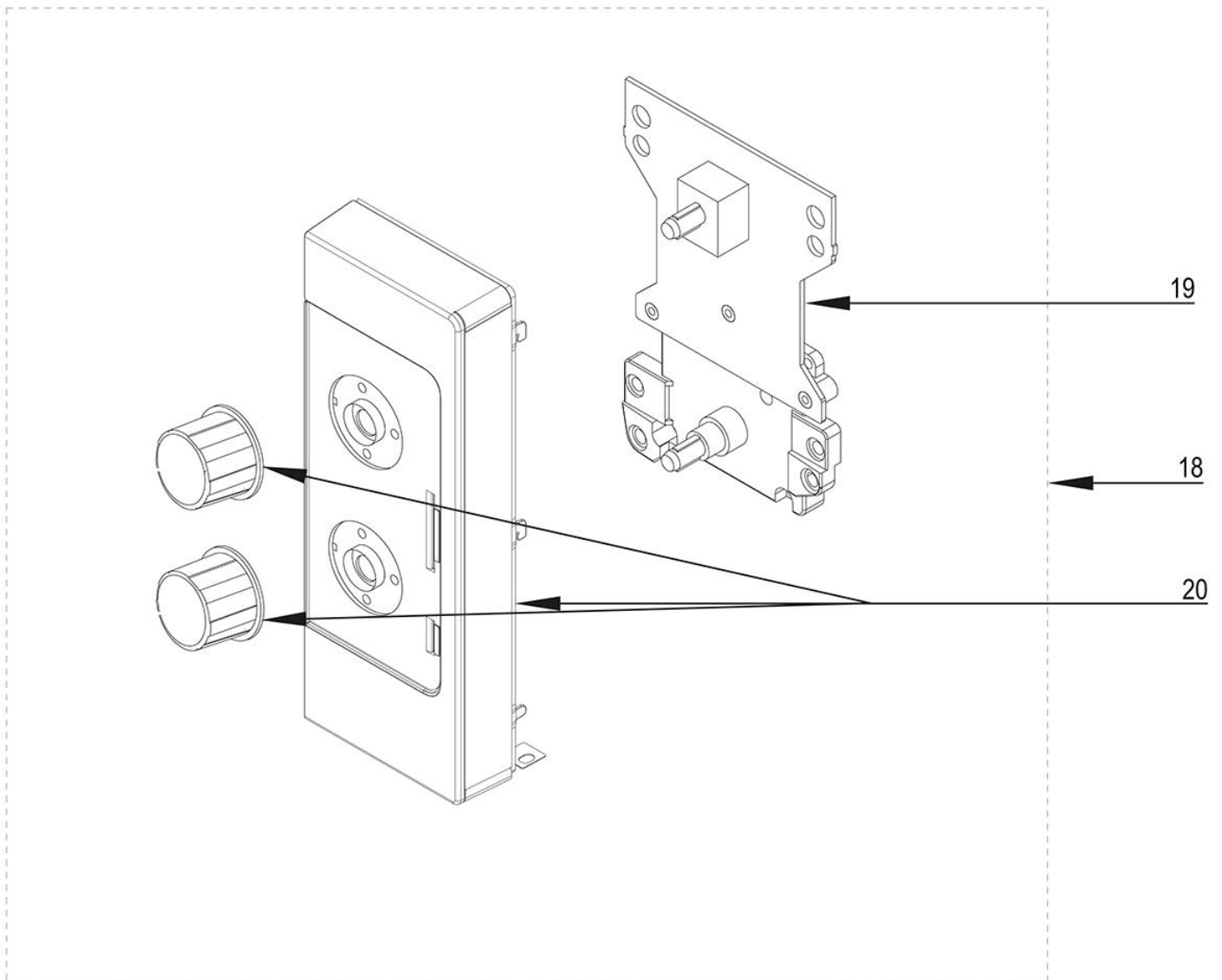


SAMSUNG Mikrowellenherd analog, 1050 Watt, Abmessung 517 x 412 x 297 mm (BxTxH)

Katalog-Code: KE3004105







| Teilenummer (V abb.Teilenummer vom bild) | Name | Code |
|---|--------------------------|-------------|
| V775313V01-01 | Keramikbasis | C003877 |
| V775313V01-02 | Mikrowellenrührer | |
| V775313V01-03 | Glimmerplatte | C003851 |
| V775313V01-04 | Motor | |
| V775313V01-05 | Transformator | C007988 |
| V775313V01-06 | Unterbau | |
| V775313V01-07 | Sicherung | C003884 |
| V775313V01-08 | Diode | |
| V775313V01-09 | Kondensator | C003844 |
| V775313V01-10 | Verriegeln | |
| V775313V01-11 | Sicherheitsthermostat | C007747 |
| V775313V01-12 | Magnetron | C003840 |
| V775313V01-13 | Lämpchen | C003841 |
| V775313V01-14 | Lüftermotor | |
| V775313V01-15 | Anti-Interferenz-Filter | C000146 |
| V775313V01-16 | Tür | C007330 |
| V775313V01-17 | Verriegeln | C003701 |
| V775313V01-18 | Kontrollpanel | |
| V775313V01-19 | Platte mit Zeitschaltuhr | C007816 |
| V775313V01-20 | Drehknopf | C008779 |
| V775313V01-21 | Kontrollpanelgehäuse | |
| | | |
| | | |